

VOLTAGE INDICATORS

Illuminate whenever hazardous voltage is present in any individual phase



VOLTAGE INDICATOR FEATURES

- ▶ **Voltage indicators** are Permanent Electrical Safety Devices (PESDs) that visually represent presence of voltage with flashing or non-flashing redundant LED lights.
- ▶ Typically hardwired to the load side of a disconnect switch on a MCC bucket or a variable frequency drive, **voltage indicators** illuminate whenever hazardous voltage or stored energy is present in the system.
- ▶ **R-3W Series voltage indicators** are a one-size-fits-all solution that detect 3-phase AC/DC voltage for both AC and DC applications from 40-600VAC and 30-1000VDC, respectively.
- ▶ Safely and productively visualizes energy presence and enhances compliance to OSHA & NFPA 70E/CSAZ462 when installed and verified by a qualified electrician and incorporated into the facility's electrical safety procedure.

FOR MORE INFORMATION VISIT PESD.COM OR CALL 1.800.280.9517









RoHS 



OPERATION

GracePESDs® voltage indicators are self powered, UL listed, and permanently installed devices that visually represent presence of voltage with flashing or non-flashing, redundant LED lights. Typically hardwired to the load side of an electrical feeder or a disconnect switch, voltage indicators illuminate whenever hazardous voltage is present in any individual phase. Voltage indicators greatly assist task qualified personnel with enhanced productivity and reduced risk while performing mechanical and electrical LOTO tasks by verifying the release of stored electrical energy per Article 120.5(4) of NFPA 70E 2021.

TECHNICAL SPECIFICATIONS

| | CAT III & IV RATED | | | | | CAT III & IV RATED |
|-------------------------------|---|---|---|---|---|---|
| |  |  |  |  |  |  |
| COMPONENT CODE | R-3W R-3W-KB* | R-3W-SR R-3W-SR-KB* | R-3W2 R-3W2-KB* Class 1 Div 2 | R-3F2 | R-3W-DC R-3W-DC-KB* | R-3D2 R-3D2-SR R-3D2-W5 R-3D2-SR5 |
| Voltage Indicator | Flashing LEDs | Non-Flashing LEDs | Flashing LEDs | | | Flashing/ Non-Flashing LEDs |
| Voltage Type | AC/DC | | | | DC | AC/DC |
| Mounting Location | External (Door/Flange mounted) | | | | | External (Conduit Knockout) |
| Voltage to Door Required | Yes | | | No | Yes | |
| Lead Connections | 3 Phase, 4 Wire | | | | 1 Phase, 3 Wire | 3 Phase, 4 and 5 wire |
| Storage Temperature Range | -45°C to + 85°C | | | | -45°C to +55°C | -45°C to + 85°C |
| Operational Temperature Range | -20°C to +55°C | | | | -40°C to +55°C | -20°C to +55°C |
| Operational Voltage Range | 40 - 600 VAC 50/60/400Hz, 30 - 1000VDC | 35 - 600 VAC 50/60/400Hz, 30 - 1000VDC | 40 - 600 VAC 50/60/400Hz, 30 - 1000VDC | 20 - 600 VAC 50/60/400Hz, 20 - 1000VDC | 20 - 600 VAC 50/60/400Hz, 15 - 1000VDC | 20 - 600 VAC 50/60/400Hz, 15 - 1000VDC |
| Wiring Specifications | PVC Insulated with Nylon Jacket, 8ft, 18 AWG, 90°C @ 1000 Volts, UL-1452 | | | PVC Insulated with nylon jacket, 8ft, 18 AWG 90°C @ 1000V, UL-1452 | PVC Insulated with nylon jacket, (3) 8ft, 18 AWG 90°C @ 1000V, UL-1452 | PVC Insulated with Nylon Jacket, 3ft, 12 AWG, 90°C @ 1000 Volts, UL-1452 |
| Fiber Optic Length | N/A | | | Available in: 24", 36", 48", and 72" | N/A | N/A |
| Installation | 30mm Pushbutton Hole | | | | | 3/4" or M20 conduit knockout |
| Certifications | cUL Listed (#E256847) Type 4, 4X, 12, 13 CAT III, IV | | cUL Listed (#E334957) Type 4X, 12, 13, CAT III, IV, Class 1 Div 2 Group A, B, C & D, IP67, CE | cUL Listed (#E256847) Type 4, 4X, 12, 13 CAT III, IV, Class 1 Div 2 Group A, B, C & D, IP67 | cUL Listed (#E256847) Type 4, 4X, 12, 13 Class 1 Div 2 Group A, B, C, & D, IP67, CE | cUL Listed (#E334957) Type 4X, 12, 13 CAT III, IV, Class 1 Div 2, IP67, CE |

*Part numbers listed are Bezel Kits complete with both the Bezel and Voltage Indicator.

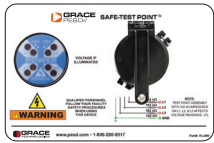
COMBINATION UNITS

Grace PESD® Combination Units take our voltage indicator and voltage portal PESDs and couple them together with our custom labels. With our voltage indicator and portal connected to the same source, a task qualified worker or a qualified electrician can perform both presence and absence of voltage tests by using either a Non-Contact Voltage Detector (NCVD) pen or an adequately rated portable test instrument. Combination Units are available to order with custom procedure labels and NCVD pens.

Voltage Indicator and Safe-Test Point™ Combination Units



R-3WMT-LMH



R-3W2MT-LMH



R-3WMT-LMF



R-3W2MT-LMF

Voltage Indicator and Voltage Portal Combination Units



R-3KW-LCH



R-3KW2-LCH



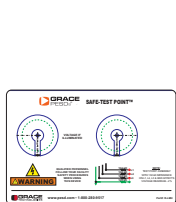
R-3KW-LCF



R-3KW2-LCF

NEW EZ-UPGRADE

If you have an existing R-3W series voltage indicator or Safe-Test Point™ installed, you can upgrade to a combination unit using our EZ-Upgrade kit that includes a detailed magnetic installation template. Simply mount the template on top of the existing voltage indicator or Safe-Test Point™ and mark the knockout location for the secondary device. The R-3W voltage indicator and Safe-Test Point™ are both installed through 30mm knockouts. The EZ-Upgrade kit will also include a new combination label, if desired.



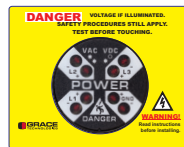
R-3MT-EZ-H



R-3W-EZ-F

Please contact your Sales Representative for more information on all available configurations.

ACCESSORIES



R-3W-L-KIT



Back View



Voltage Indicator Kits and Warning Labels

Install around the R-3W Series Voltage Indicators. The labels are not UL approved.

- R-3W Voltage indicator and warning label.....R-3W-L-KIT
- Warning label.....R-3W-L
- R-3W Voltage indicator, bezel mount and warning label.....R-3W-KB-L-KIT
- Warning label for bezel mount.....R-3W-KB-L
- Vertical warning label.....R-3W-NP-F

Bezel Mount Kits

Creates a low-profile look. Bezel mount and Voltage indicator are sold together in the kits below.

- R-3W Voltage indicator with bezel.....R-3W-KB*
- R-3W-SR Voltage indicator with bezel.....R-3W-SR-KB*
- R-3W2 Voltage indicator with bezel.....R-3W2-KB*
- R-3W-DC Voltage indicator with bezel.....R-3W-DC-KB*

Door Mount Kit

Applies to R-3W, R-3W2, R-3W-SR. Voltage Indicator sold separately.

- Door mount kit with 6' cable.....R-3W-DR-C6

Conduit Adapter

Applies to R-3W, R-3W2, R-3W-SR. Voltage Indicator sold separately.

- 30mm - 1 1/4" Conduit adapter (shown to the left).....R-3W-NPT125
- 1 1/2" Conduit adapter with VI nameplate (vertical) (not shown).....R-3W-NPT150-NP

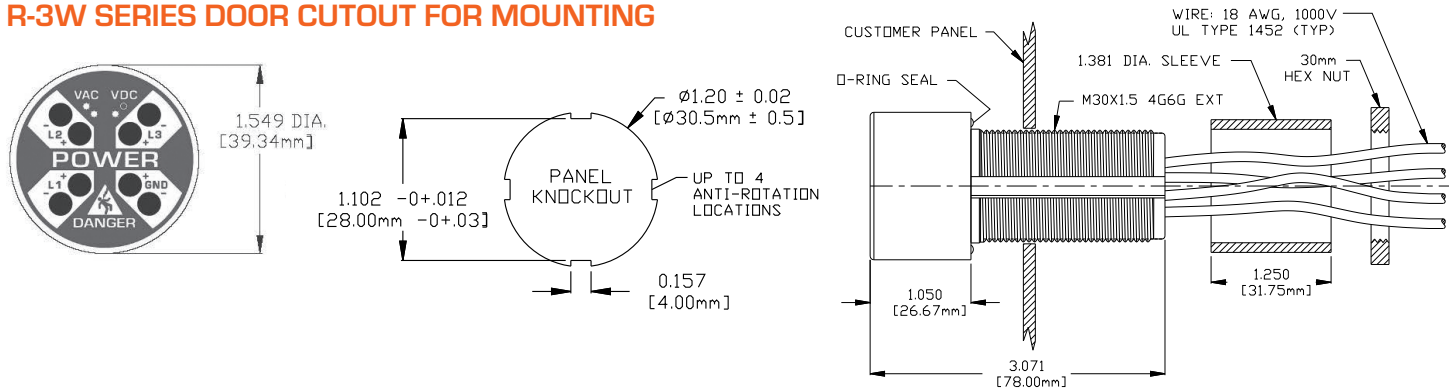
FOR MORE INFORMATION VISIT PESD.COM OR CALL 1.800.280.9517

Warning: Verify an electrical conductor has been de-energized using an adequately rated test instrument before working on it. Follow appropriate Energy Control (Lockout/Tagout) procedures as per OSHA Subpart S.

© Grace Technologies All rights reserved. Specifications are subject to change with/without notice.



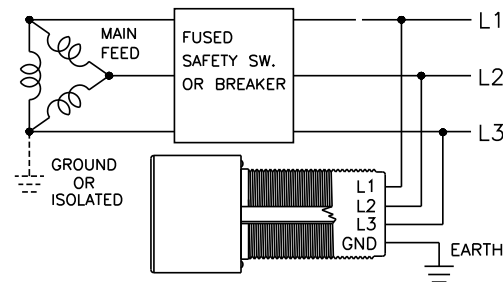
R-3W SERIES DOOR CUTOUT FOR MOUNTING



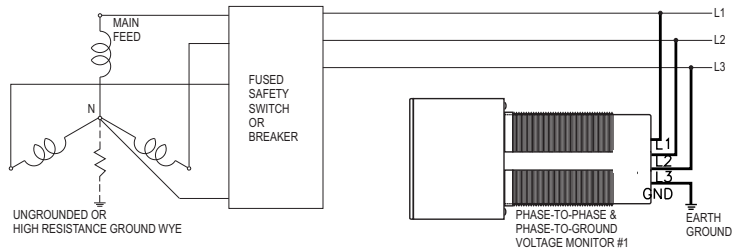
R-3W SERIES WIRING CONFIGURATIONS AND TRUTH TABLE

AC APPLICATIONS

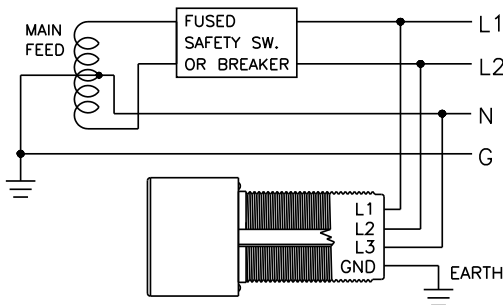
THREE PHASE DELTA, 3W + GND



UNGROUNDED OR HIGH RESISTANCE GROUND WYE

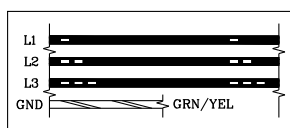


SINGLE PHASE, 3W + GND



(L1-L3, GND) See Wire Identification Diagram

WIRE IDENTIFICATION



Applies to R-3W, R-3W-SR, R-3W2 and R-3F2

TRUTH TABLE

| Condition | L1 | L2 | L3 | GND |
|---|-----|-----|-----|-----|
| Color | Red | Red | Red | Red |
| Normal: Delta System with Isolated Ground | ● | ● | ● | ⊗ |
| Normal with \emptyset to Ground Leakage | ● | ● | ● | ● |
| \emptyset Loss: L2 Open with Isolated Ground (Separately derived, standalone ground system) | ● | ⊗ | ● | ● |
| \emptyset Unbal: Isolated Ground (Separately derived, standalone ground system) | ● | ● | ● | ● |
| Wye system with Grounded N (Not typically recommended for use with 4-Wire. Recommend using 5-Wire where applicable) | | | | |
| L2 Loss: Wye System with Grounded N* | ● | ⊗ | ● | ● |
| \emptyset Unbal: Wye System with Grounded N* | ● | ● | ● | ● |

On (illuminated)=● Off=⊗ Phase= \emptyset

*Grounded N= N (Neutral) directly grounded or with resistance ground

FOR MORE INFORMATION VISIT PESD.COM OR CALL 1.800.280.9517

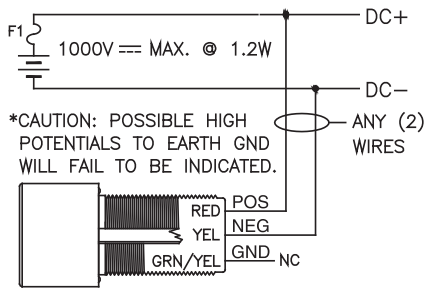
Warning: Verify an electrical conductor has been de-energized using an adequately rated test instrument before working on it. Follow appropriate Energy Control (Lockout/Tagout) procedures as per OSHA Subpart S.

© Grace Technologies All rights reserved. Specifications are subject to change with/without notice.

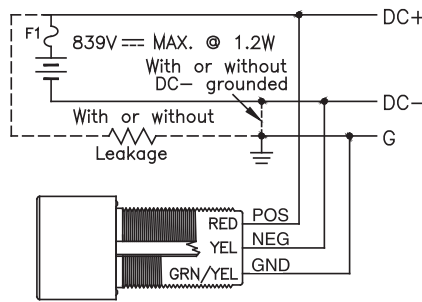
R-3W-DC WIRING CONFIGURATIONS

DC APPLICATIONS

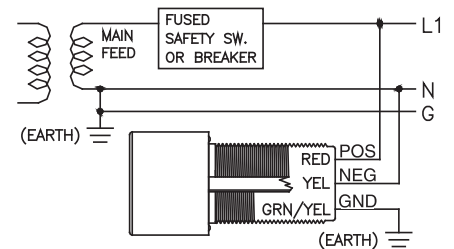
**DC SINGLE SOURCE, 2W ONLY
NON-SAFETY APPLICATION**



**DC SINGLE SOURCE, 2W + GND
SAFETY APPLICATION**



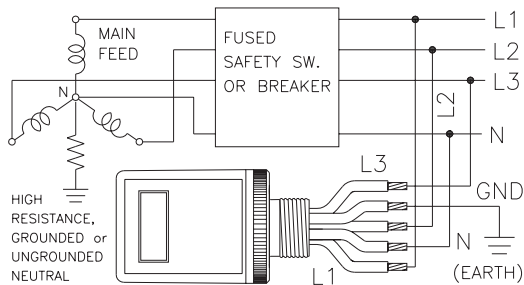
AC SINGLE PHASE, 2W + GND



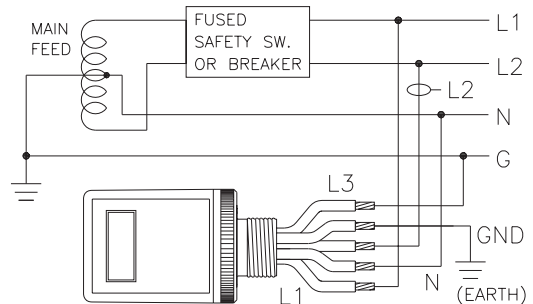
R-3D2 WIRING CONFIGURATIONS

AC APPLICATIONS

THREE PHASE WYE, 4W + GND

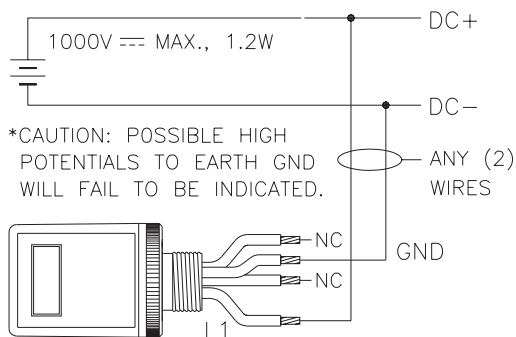


SINGLE PHASE, 3W + GND

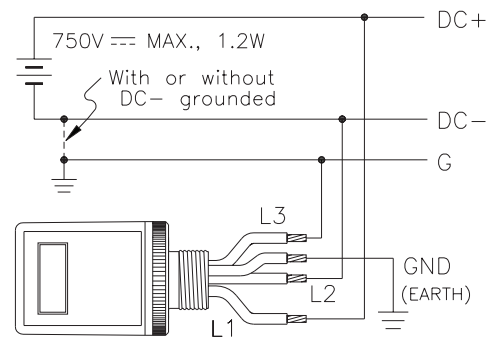


DC APPLICATIONS

**DC SINGLE SOURCE, 2W ONLY
NON-SAFETY APPLICATION**



**DC SINGLE SOURCE, 2W + GND
SAFETY APPLICATION**



FOR MORE INFORMATION VISIT PESD.COM OR CALL 1.800.280.9517

Warning: Verify an electrical conductor has been de-energized using an adequately rated test instrument before working on it. Follow appropriate Energy Control (Lockout/Tagout) procedures as per OSHA Subpart S.

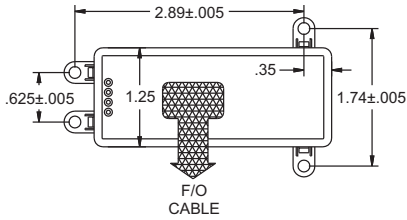
© Grace Technologies All rights reserved. Specifications are subject to change with/without notice.



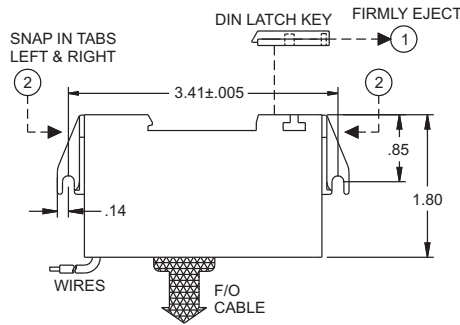
R-3F2 MOUNTING DETAILS

Note: Vertical or side mount requires snap-in installation of respective mounting tabs (hardware included).

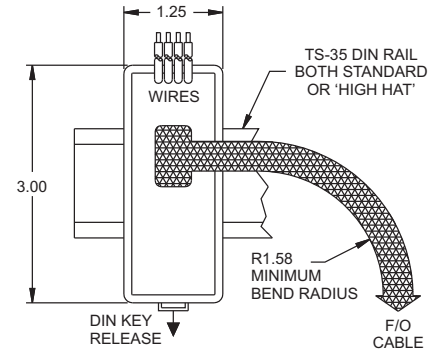
VERTICAL MOUNT



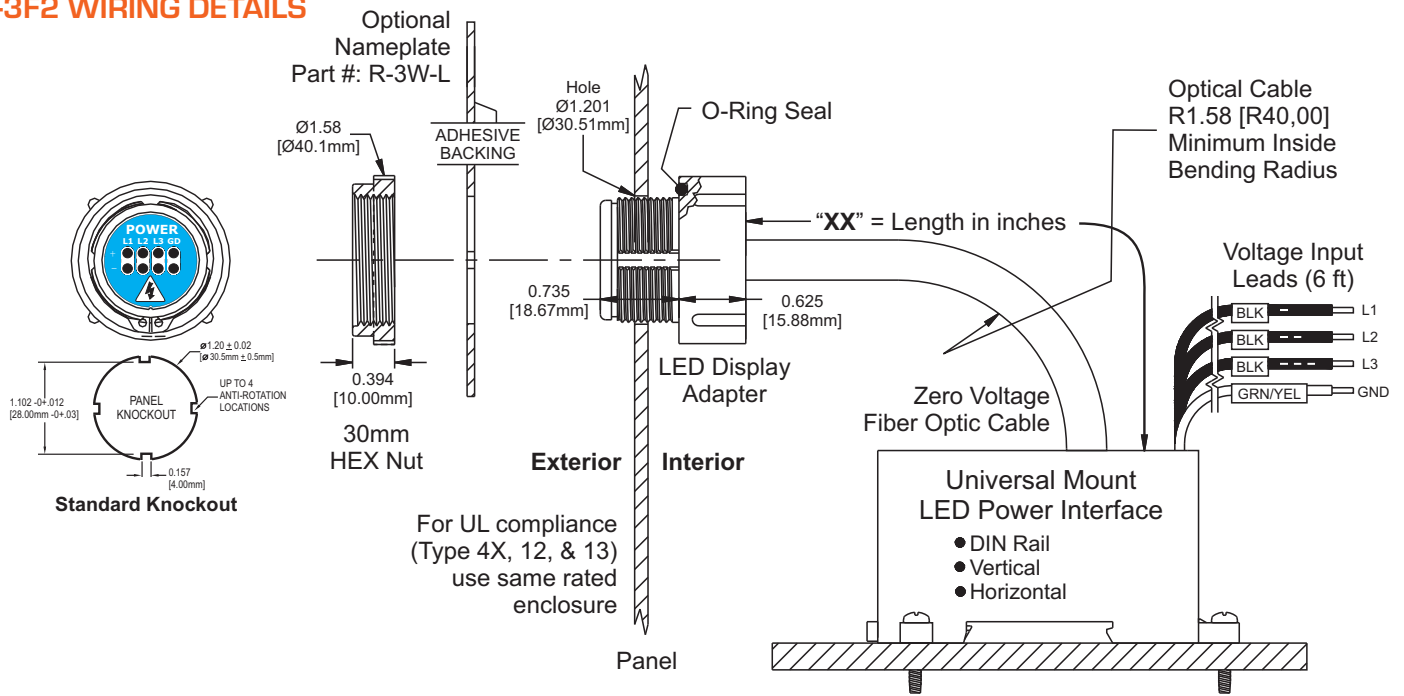
SIDE MOUNT



DIN RAIL MOUNT



R-3F2 WIRING DETAILS



FOR MORE INFORMATION VISIT PESD.COM OR CALL 1.800.280.9517

Warning: Verify an electrical conductor has been de-energized using an adequately rated test instrument before working on it. Follow appropriate Energy Control (Lockout/Tagout) procedures as per OSHA Subpart S.

© Grace Technologies All rights reserved. Specifications are subject to change with/without notice.

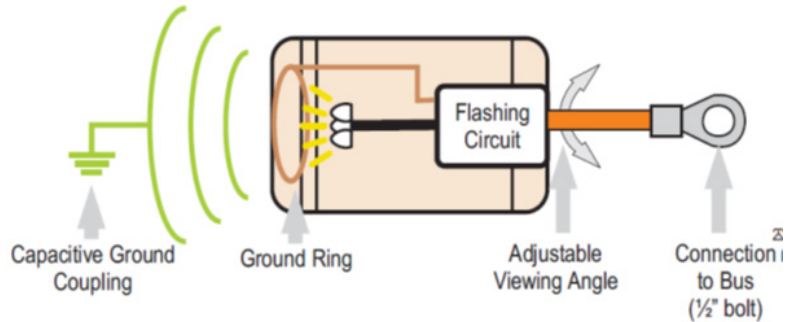
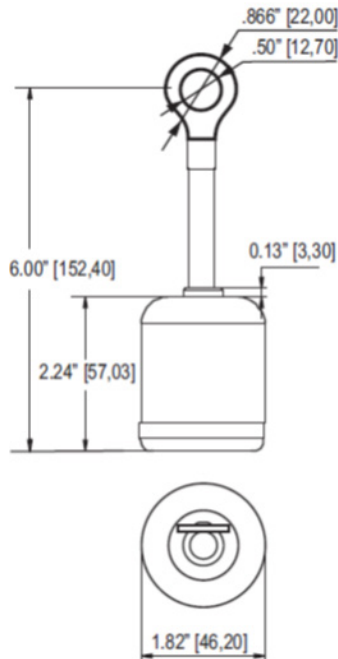
R-1V SERIES MEDIUM VOLTAGE INDICATOR



Medium Voltage (MV) Indicators assist the qualified personnel to visually indicate presence of voltage inside a MV cabinet. The indicator directly bolts onto the main busbar using a 1/2" ring style connector and uses capacitive coupling between the device and ground for completing the flashing circuit without a hardwired connection. The flash rate and the intensity of the indicator's LED is determined by the line voltage, distance to the adjoining phases, and distance of the ground plane. Flash rates of the indicators are optimized to alert at least once in every 3 seconds.*

**Disclaimer: It is recommended that an installed medium voltage indicator flashes at least 20 times per minute. If the flash rate is less than 20 times per minute, do not use the product in this application.*

R-1V SERIES MEDIUM VOLTAGE INDICATOR DETAILS



R-1V SERIES MEDIUM VOLTAGE ACCESSORIES



Viewing Window

Install on the outside of the cabinet to view the Medium Voltage Indicator

| | |
|-----------------|-----------|
| UL Type 4X..... | P-W1-M2RX |
| UL Type 4..... | P-W1-M3RX |
| UL Type 12..... | P-W1-M4RX |

FOR MORE INFORMATION VISIT PESD.COM OR CALL 1.800.280.9517

Warning: Verify an electrical conductor has been de-energized using an adequately rated test instrument before working on it. Follow appropriate Energy Control (Lockout/Tagout) procedures as per OSHA Subpart S.

© Grace Technologies All rights reserved. Specifications are subject to change with/without notice.

FREQUENTLY ASKED QUESTIONS

Q: How do I know if the voltage indicator is working?

A: Once the voltage indicator is installed and verified by a qualified electrician and documented in the drawings and safety procedures, a task qualified person can identify the status of the device functionality from outside the cabinet. For example, if ANY of the LEDs are "ON" in a voltage indicator after throwing the disconnect switch to "OFF" this triggers additional tests and verification of the deenergized state by a qualified electrician.

Q: What is CAT III & CAT IV rating and why is it important for PESDs?

A: The CAT III & IV ratings defines the overvoltage installation categories that applies to low voltage systems of <1000Volts measuring and test equipment as defined in IEC 1010 and UL61010-1 standards. The rating of our voltage indicators allows their use as permanently mounted test equipment used in fixed installations such as switchgear, MCCs, bus and feeder in industrial plants and low voltage connections made to utility power.

Q: Do the R-3W series voltage indicators have internal short circuit protection?

A: Yes, the voltage indicator is protected by high impedance circuitry and recognized components that limit the power to 1.2watts @ 750 Volts AC. The following chart gives the phase to ground short circuit currents.

Voltage Indicator included Fault Current (PHASE-TO-GROUND SHORT)

| | | | | | |
|------------------------------------|----|-----|-----|-----|-----|
| 3- Phase Line-To-Line (VAC) | 30 | 120 | 240 | 480 | 750 |
| 0 OHM Phase-To-Ground Current (µA) | 28 | 108 | 219 | 455 | 730 |

Q: Do PESDs satisfy the NEC feeder tap rule?

A: Yes, PESDs have a built-in high impedance between the feeder line connecting leads and the circuitry, hence it satisfies the NEC 10 ft. feeder tap rule without overcurrent protection.

Q: Why are the GND LEDs "ON" in my delta connected system with isolated ground?

A: On a balanced 3 Phase, Delta Configuration, the GND light will be off. If it is on, it is either because of an unbalanced system or voltage on the GND. Test the system to ensure balance, as little as 11% voltage imbalance will start to turn on the LEDs and will be fully illuminated by 15%. (Percentage is calculated by $(AV-UV)/AV$ where AV=Average Voltage and UV=Unbalanced Voltage. Check to ensure no voltage on ground.)

Q: Do I need over current protection fuses with my voltage indicator?

A: We do not recommended fusing the voltage indicators as they create additional point of failure and may result in false negative indication to the operator. Some codes or company regulations will require fusing and the indicators will function without any problem.

Q: Do PESDs have an output relay to connect to my PLC or an alarm circuit?

A: No, PESDs do not have an output relay or auxiliary contacts. These devices are meant for verifying the presence and absence of voltage at the connected source only.

Q: Where should I use R-3F2 fiber optic voltage indicators?

A: Fiber optic voltage indicators are ideal for use in the dead front electrical cabinets where voltage in excess of 24 Volts is not allowed on to the door.