

SPD, Power Conditioning, PF Capacitors and Harmonic Filters

Industrial Surge Protection Products



2.1 Surge Protection and Power Conditioning

Introduction	V3-T2-2
Product Overview	V3-T2-5
SPD Series for Integration into Electrical Distribution Equipment	V3-T2-7
SPD Series for Mounting External to Electrical Distribution Equipment	V3-T2-11
SPD MAX Series Surge Protection	V3-T2-16
SPC Surge Protective Device	V3-T2-20
CVX050/100	V3-T2-24
SP1 Surge Protective Device	V3-T2-27
AEGIS Powerline Filters	V3-T2-29
AEGIS DN Series	V3-T2-34
Sag Ride-Through (SRT2)	V3-T2-37
Power-Sure 700 (T700)	V3-T2-41
Power-Sure 800 (T800)	V3-T2-44
Power-Suppress 100 (T100)	V3-T2-48

2.2 Power Factor Correction and Harmonic Filtering

Product Overview	V3-T2-51
UNIPUMP	V3-T2-53
UNIPAK	V3-T2-56
AUTOVAR 300 Automatic Power Factor Correction Capacitor Systems	V3-T2-65
AUTOVAR 600 Automatic Power Factor Correction Capacitor Systems	V3-T2-69
AUTOVAR Filter—LV Automatic Detuned Filter	V3-T2-76
Transient-Free Static Switching Power Factor Correction Units	V3-T2-83
HCU2 Harmonic Correction Unit	V3-T2-85
HCU _n Harmonic Correction Unit	V3-T2-89

Industrial and Commercial Surge Protection



Contents

<i>Description</i>	<i>Page</i>
Introduction	
Product Overview	V3-T2-5
SPD Series for Integration into Electrical Distribution Equipment	V3-T2-7
SPD Series for Mounting External to Electrical Distribution Equipment	V3-T2-11
SPD MAX Series Surge Protection	V3-T2-16
SPC Surge Protective Device	V3-T2-20
CVX050/100	V3-T2-24
SP1 Surge Protective Device	V3-T2-27
AEGIS Powerline Filters	V3-T2-29
AEGIS DN Series	V3-T2-34
Sag Ride-Through (SRT2)	V3-T2-37
Power-Sure 700 (T700)	V3-T2-41
Power-Sure 800 (T800)	V3-T2-44
Power-Suppress 100 (T100)	V3-T2-48

Introduction

Industrial and Commercial Surge Protection

- SPD Series for Integration into Electrical Distribution Equipment
- SPD Series for Mounting External to Electrical Distribution Equipment

SPD Series Sidemount Units

Specification grade surge protective devices for installation external to electrical distribution equipment.

SPD Series Integrated Units

Specification grade surge protective devices installed within Eaton’s electrical assemblies.



SPD Series Integrated Unit



SPD Series Sidemount Unit

Critical Load Protection

Series filtering and surge protection for critical single-phase loads.

- Current ratings up to 60 A
- 120 and 240 Vac units
- 24 and 48 Vdc units
- DIN mounting available on some models
- Up to 80 kA of peak surge protection
- AC units are UL® 1449 4th Edition and UL 1283 7th Edition listed

Commercial and Light Industrial Surge Protection

The SPC Series offers robust protection in a compact, flexible design and is configurable for a wide range of commercial and light industrial applications. The SPC combines surge suppression components and the options of EMI/RFI filtering, Form C contacts and an audible alarm.

Surges (also known as transients), due to lightning, utility grid switching, switching of external/internal inductive or capacitive loads, and other sources, travel on power line conductors throughout the electrical distribution system, causing system operating problems and equipment downtime.



AEGIS Products



SPC Series

Surge Protection for Sub-Panel and OEM Applications

In today's business environment that calls for 24 hours a day, 7 days a week uptime and reliability, Eaton's CVX050 and CVX100 surge protective devices (SPDs) ensure that a customer's investment in equipment and processes is protected from the damaging effects of voltage transients. Designed for installation on service entrance, branch panels or individual equipment disconnects, the CVX050/100 provides enhanced surge protection for mission-critical applications.

Panelboards with Integrated Surge Protective Devices

- Available in standard and custom configurations
- Ratings:
 - 120/240 Vac, single-phase, three-wire
 - 208Y/120 Vac, three-phase, four-wire
 - 480Y/277 Vac, three-phase, four-wire
 - 600Y/347 Vac, three-phase, four-wire (other voltage configurations are available)
- Copper bus
- 12, 18, 24, 30, 36 and 42 circuits
- Bolt-on branch breakers
- A full range of factory installed modifications and accessories
- Fully rated or series rated



Surge Protective Devices can be Integrated within a variety of Eaton Electrical Assemblies



Power Conditioning

Sag Ride-Through (SRT2)

The sag ride-through (SRT2) is a power conditioner that corrects voltage sags to maintain uptime and productivity.



Sag Ride-Through (SRT2)

Power-Sure 700 (T700)

The Power-Sure 700 (T700) is designed to meet the needs of customers who experience voltage regulation problems due to brownout conditions from their electric utilities.



Power-Sure 700 (T700)

Facility-Wide Power Protection Solutions

A facility-wide protection approach should be employed to address power quality issues. This approach minimizes overall lifecycle costs and optimizes facility uptime. The following is a recommended design approach for implementing facility-wide Eaton power protection solutions.

The most accepted design methodology is based on two concepts:

1. Ensure proper grounding conditions exist. All forms of power protection/conditioning rely on good grounding, bonding and earthing practices.
2. Surge protection should be installed at key distribution panels and critical loads.

Application Description

2

Application Recommendations for Surge Products

Application Type	Eaton's Surge Product	Features and Competitive Advantages
Light Commercial		
Design build	SPD Series integrated units	Ideal package for any commercial facility
Chain stores	SPD Series sidemount units	Cost-effective, reliable protection using the SPD Series or SPC units
Small facilities	SPC units	
	CVX units SP1 units	
Large Projects		
Including:	SPD Series integrated units in panelboards, switchboards, MCCs, switchgear, busway and automatic transfer switches	Able to meet competitors' surge protection specifications
Commercial		Increased surge protection performance by using integrated SPD Series units
Government	SPD Series sidemount units	Wall space savings by using integrated SPD Series units
Schools	SPD MAX units	Quick-ship capabilities from Eaton assembly satellites and service centers
Institution	AEGIS units for critical load applications	Power conditioning capability for a wide variety of applications
Military	Power conditioners (T700, T800 and T100 and SRT2 units)	
Industrial		
Including:	SPD Series integrated units in panelboards, switchboards, MCCs, switchgear, busway and automatic transfer switches	Increased surge protection performance by using integrated SPD Series units
Small and large facilities		Wall space savings by using integrated SPD Series units
WWTP	SPD Series sidemount units	MCCs with SPD Series units installed protect drives from damage
	SPD MAX units	AEGIS products protect expensive critical loads from harmful damage
	AEGIS units for critical load applications such as PLCs, robotics applications, etc.	T700 and T800 units correct voltage regulation problems
	Power conditioners (T700, T800 and T100 and SRT2 units)	SRT2 units correct voltage sag problems
OEM		
Any OEM customer including:	SPD Series integrated units	Years of experience in a variety of OEM applications
Integrators	SPD Series sidemount units	Application assistance and recommendations
Medical equipment	CVX units	Small footprint enables integration in a variety of applications
	SPC units	Ability to meet customized requirements
Automation and control	SP1 units AEGIS units for critical load applications	
Telecommunications		
Including:	Panelboards and automatic transfer switches with integrated SPD Series units	Ability to meet customized requirements
Cellular sites	SPD Series sidemount units	Application assistance and recommendations
Microwave	CVX units	
	SPC units	
PCS	SP1 units	

SPD Series Sidemount Units



Contents

Description	Page
Introduction	V3-T2-2
Product Overview	
SPD Series for Integration into Electrical Distribution Equipment	V3-T2-7
SPD Series for Mounting External to Electrical Distribution Equipment	V3-T2-11
SPD MAX Series Surge Protection	V3-T2-16
SPC Surge Protective Device	V3-T2-20
CVX050/100	V3-T2-24
SP1 Surge Protective Device	V3-T2-27
AEGIS Powerline Filters	V3-T2-29
AEGIS DN Series	V3-T2-34
Sag Ride-Through (SRT2)	V3-T2-37
Power-Sure 700 (T700)	V3-T2-41
Power-Sure 800 (T800)	V3-T2-44
Power-Suppress 100 (T100)	V3-T2-48



Product Overview

Product Description

Eaton’s SPD series surge protective devices are the latest and most advanced UL 1449 4th Edition certified surge protectors. Units are available integrated within Eaton electrical assemblies, including panelboards, switchboards, motor control centers, switchgear, automatic transfer switches and bus plugs.



SPD Series Integrated Units

A complete offering of sidemount units designed for mounting external to electrical distribution equipment is also available. Application of SPD Series units throughout a facility will ensure that equipment is protected with the safest and most reliable surge protective devices available. SPD Series units are available in all common voltages and configurations and also in a variety of surge current capacity ratings from 50 through 400 kA. Three feature package options are also available to choose from, ensuring the proper unit is available for a variety of applications.

Features, Benefits and Functions

- Uses thermally protected metal oxide varistor (MOV) technology
- Three feature package options
- True protection status indicators report the status of the protection elements, not the status of the applied power
- Available integrated within the following Eaton electrical assemblies: panelboards, switchboards, motor control centers, switchgear, automatic transfer switches and bus plugs
- 10-year warranty (15-year warranty with online registration)

Safety Features

- All units use thermally protected metal oxide varistor technology (MOV) as their core surge suppression component. Usage of this technology ensures safe operation when the unit is subjected to abnormal conditions such as temporary overvoltage or high fault current conditions. Under such conditions, the self-protected MOVs are removed from the circuit quickly and safely before a potentially unsafe condition can occur
- SPD Series units contain no replaceable parts such as surge modules, fuses, or surge counter memory backup batteries. This prevents potential arc flash and shock hazards, as the units require no periodic service or user intervention after installation
- Integrated versions of the unit are factory installed and sidemount versions are factory sealed. These important safety measures further enhance user safety

Three Feature Package Options Available

The SPD Series provides users with the option of selecting between three feature packages. These feature packages are the basic, standard and standard with surge counter. The proper feature package can be selected based on the requirements of the application or specification. A side by side comparison of the individual features found in each package is below.

Basic Feature Package

The basic feature package is perfect for applications where basic, cost-effective, safe and reliable surge protection is required, but budgets don't allow for extra, additional features. Rather than sacrifice performance or safety due to cost, SPD Series units with the basic feature package provide you with high-performing surge protection without sacrificing safety or reliability. The basic feature package provides the same level of surge protection and safety provided by the standard and standard with surge counter feature packages minus some of the features found in them. The package contains dual-colored protection status LEDs that report the true status of the protection in each phase/mode. All four-wire plus ground units also contain an additional set of dual-colored protection status LEDs that report the status of the protection in the neutral/ground mode.

Standard Feature Package

The standard feature package includes all of the features found in the basic feature package, plus an audible alarm with silence button, EMI/RFI filtering, and a form 'C' relay contact that can be used for remote annunciation of the SPD's status. The audible alarm activates and the form 'C' relay contact changes state when any loss of protection is detected or a fault condition exists with the unit. Should such a condition occur, the audible alarm can be silenced by pressing the silence button. The EMI/RFI filter provides up to 50 dB of noise attenuation over the range of 10 kHz through 100 MHz.

Standard with Surge Counter Feature Package

The standard with surge counter feature package includes all of the features found in the standard feature package plus a six-digit surge counter with a reset button. The surge counter indicates the ongoing count of the number of surges the unit has been exposed to and stores them in nonvolatile memory. Should power to the SPD Series unit be completely interrupted, the surge counter will recall and display the surge count prior to the interruption when power is restored. Unlike many surge protectors, the SPD Series' surge counter memory feature does not require a backup battery that would require periodic replacement in order to achieve its memory functionality.

Side-By-Side Comparison of the SPD Series' Available Feature Packages

Feature Package Comparison	Basic	Standard	Standard with Surge Counter
Surge protection using self-protected MOV technology	■	■	■
Dual-colored protection status indicators for each phase	■	■	■
Dual-colored protection status indicators for the N-G protection mode	■	■	■
Audible alarm with silence button		■	■
Form 'C' relay contact		■	■
EMI/RFI filtering, providing up to 50 dB of noise attenuation from 10 kHz to 100 MHz		■	■
Surge counter with reset button			■

Standards and Certifications

- Integrated versions of the unit are UL 1449 4th Edition recognized components for the United States and Canada, covered by Underwriters Laboratories certification and follow-up service
- Sidemount versions are UL 1449 4th Edition listed devices and are also CSA® approved



Technical Data and Specifications

- 20 kA nominal discharge current (I_n) rating (maximum rating assigned by UL)
- 50 through 400 kA surge current capacity ratings
- 200 kA short-circuit current rating (SCCR)

SPD Series Unit Integrated within an Eaton Panelboard



Contents

Description	Page
Introduction	V3-T2-2
Product Overview	V3-T2-5
SPD Series for Integration into Electrical Distribution Equipment	
Catalog Number Selection	V3-T2-8
Technical Data and Specifications	V3-T2-9
SPD Series for Mounting External to Electrical Distribution Equipment	V3-T2-11
SPD MAX Series Surge Protection	V3-T2-16
SPC Surge Protective Device	V3-T2-20
CVX050/100	V3-T2-24
SP1 Surge Protective Device	V3-T2-27
AEGIS Powerline Filters	V3-T2-29
AEGIS DN Series	V3-T2-34
Sag Ride-Through (SRT2)	V3-T2-37
Power-Sure 700 (T700)	V3-T2-41
Power-Sure 800 (T800)	V3-T2-44
Power-Suppress 100 (T100)	V3-T2-48

SPD Series for Integration into Electrical Distribution Equipment

Product Description

Eaton’s SPD Series surge protective devices are the latest and most advanced UL 1449 4th Edition certified surge protectors. SPD Series units are available in all common voltages and configurations, and also in a variety of surge current capacity ratings from 50 to 400 kA.

Application Description

The SPD Series is available as an integrated device within the following Eaton electrical assemblies:

- Panelboards
- Switchboards
- Motor control centers
- Switchgear
- Automatic transfer switches
- Bus plugs

Features, Benefits and Functions

- Uses thermally protected metal oxide varistor (MOV) technology
- Three feature package options
- 10-year warranty (15-year with online registration)

The Integrated SPD Performance Advantage

Installation conductor length is the single most important factor related to an SPD’s performance. Performance decreases as the connected conductor length increases. Integrating the SPD within the electrical assembly provides the best possible surge protection by keeping installation conductor lead lengths as short as possible. Integrating the SPD within an electrical assembly can decrease let-through voltages by hundreds of volts, providing you with the best possible surge protection for sensitive electronic loads.



In this installation, the SPD Series is mounted directly to the panelboard’s bus bars. This type of installation will provide the best possible surge protection by minimizing the connected lead length.

Remote Display Mounting Option Available

The SPD Series offers the option of mounting its display remotely from the device. This is useful for applications where OEMs or other integrators would like to embed the unit within a piece of equipment and still be able to view its display.



The SPD Series is also available as an integrated unit interfaced via a circuit breaker resident in the electrical assembly. This installation keeps connected lead lengths short while providing a means of disconnecting power to the unit quickly and easily.

2.1

SPD, Power Conditioning, PF Capacitors and Harmonic Filters

Surge Protection and Power Conditioning

2

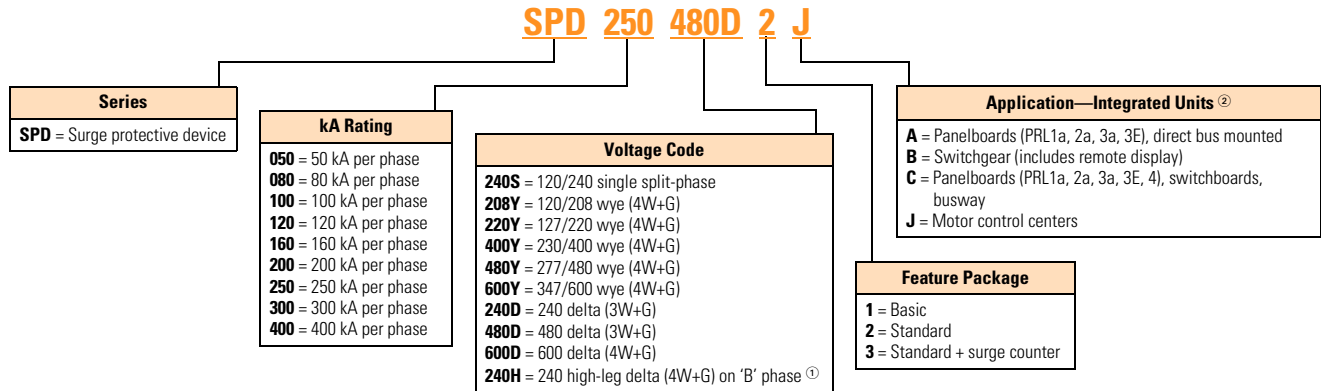
Standards and Certifications

- UL 1449 4th Edition recognized component for the United States and Canada, covered by Underwriters Laboratories certification and follow-up service
- UL 1283 7th Edition (Type 2 SPDs only)



Catalog Number Selection

SPD Series Units Mounted Internal to Electrical Distribution Equipment



Notes

- ^① Please consult the factory for 240 high-leg delta (4W+G) applications with high leg on 'C' phase.
- ^② Units used in PRL1a, 2a, 3a and 3E panelboard applications are available in 50–200 kA ratings only. Use the 'C' option for PRL1a, 2a, 3a and 3E panelboard applications when unit is connected through a circuit breaker.

Example: SPD250480D2J = SPD Series, 250 kA per phase, 480D voltage, standard feature package, motor control center application.

Technical Data and Specifications

SPD Series Specifications

Description	Specification								
Surge capacity ratings available	50, 80, 100, 120, 160, 200, 250, 300, 400 kA per phase								
Nominal discharge current (I_n)	20 kA (maximum rating assigned by UL)								
Short-circuit current rating (SCCR)	200 kA								
SPD type	Basic feature package = Type 1 (can also be used in Type 2 applications) Standard and standard with surge counter feature packages = Type 2								
Single split-phase voltages available	120/240								
Three-phase wye system voltages available	120/208, 127/220, 230/400, 277/480, 347/600								
Three-phase delta system voltages available	240, 480, 600								
Input power frequency	50/60 Hz								
Power consumption (basic units):									
208Y, 220Y, 240S, 240D and 240H voltage codes	0.5 W								
400Y, 480Y and 480D voltage codes	1.1 W								
600Y and 600D voltage codes	1.3 W								
Power consumption (standard and standard with surge counter units):									
208Y, 220Y, 240S, 240D and 240H voltage codes	0.6 W								
400Y, 480Y and 480D basic voltage codes	1.7 W								
600Y and 600D voltage codes	2.1 W								
Protection modes	<table border="1"> <tbody> <tr> <td>Single split-phase</td> <td>L-N, L-G, N-G, L-L</td> </tr> <tr> <td>Three-phase wye</td> <td>L-N, L-G, N-G, L-L</td> </tr> <tr> <td>Three-phase delta</td> <td>L-G, L-L</td> </tr> <tr> <td>Three-phase high-leg delta</td> <td>L-N, L-G, N-G, L-L</td> </tr> </tbody> </table>	Single split-phase	L-N, L-G, N-G, L-L	Three-phase wye	L-N, L-G, N-G, L-L	Three-phase delta	L-G, L-L	Three-phase high-leg delta	L-N, L-G, N-G, L-L
Single split-phase	L-N, L-G, N-G, L-L								
Three-phase wye	L-N, L-G, N-G, L-L								
Three-phase delta	L-G, L-L								
Three-phase high-leg delta	L-N, L-G, N-G, L-L								
Maximum continuous operating voltage (MCOV):									
240S, 208Y, 220Y and 240H MCOV	150 L-N, 150 L-G, 150 N-G, 300 L-L								
400Y and 480Y MCOV	320 L-N, 320 L-G, 320 N-G, 640 L-L								
600Y MCOV	420 L-N, 420 L-G, 420 N-G, 840 L-L								
240D MCOV	320 L-G, 320 L-L								
480D MCOV	640 L-G, 640 L-L								
600D MCOV	840 L-G, 840 L-L								
Ports	1								
Operating temperature	-40 °F through 122 °F (-40 °C through 50 °C)								
Operating humidity	5% through 95%, noncondensing								
Operating altitude	Up to 16,000 ft (5000 m)								
Seismic withstand capability	Meets or exceeds the requirements specified in IBC 2006, CBC 2007 and UBC Zone 4								
Form C relay contact ratings	150 Vdc or 125 Vac, 1 A maximum								
Form C relay contact logic	Power ON, normal state—NO contact = open, NC contact = closed Power OFF or fault state—NO contact = closed, NC contact = open								
EMI/RFI filtering attenuation	Up to 50 dB from 10 kHz to 100 MHz								

Eaton SPD Series Sidemount Unit Mounted Externally to an Eaton Panelboard



Contents

Description	Page
Introduction	V3-T2-2
Product Overview	V3-T2-5
SPD Series for Integration into Electrical Distribution Equipment	V3-T2-7
SPD Series for Mounting External to Electrical Distribution Equipment Catalog Number Selection	V3-T2-12
Technical Data and Specifications	V3-T2-13
Dimensions	V3-T2-14
SPD MAX Series Surge Protection	V3-T2-16
SPC Surge Protective Device	V3-T2-20
CVX050/100	V3-T2-24
SP1 Surge Protective Device	V3-T2-27
AEGIS Powerline Filters	V3-T2-29
AEGIS DN Series	V3-T2-34
Sag Ride-Through (SRT2)	V3-T2-37
Power-Sure 700 (T700)	V3-T2-41
Power-Sure 800 (T800)	V3-T2-44
Power-Suppress 100 (T100)	V3-T2-48

SPD Series for Mounting External to Electrical Distribution Equipment

Product Description

Eaton's sidemount versions of the SPD Series surge protective devices are the latest and most advanced UL 1449 4th Edition listed surge protectors. Application of SPD Series units throughout a facility will ensure that equipment is protected with the safest and most reliable surge protective devices available. Units are available in all common voltages and configurations, and also in a variety of surge current capacity ratings from 50 through 400 kA. Three feature package options are also available to choose from.

Features, Benefits and Functions

- Uses self-protected metal oxide varistor (MOV) technology
- Three feature package options
- 10-year warranty (15-year with registration)

Standards and Certifications

- UL 1449 4th Edition listed device
- Canadian Standards Association (CSA)
- UL 1283 7th Edition (Type 2 SPDs only)



All SPD Series sidemount units come prewired and include a factory-installed conduit interface, making installation very easy.



All SPD Series units are factory sealed, ensuring that the user/installer has no potential of coming into contact with harmful voltages present inside the unit.

2.1

SPD, Power Conditioning, PF Capacitors and Harmonic Filters

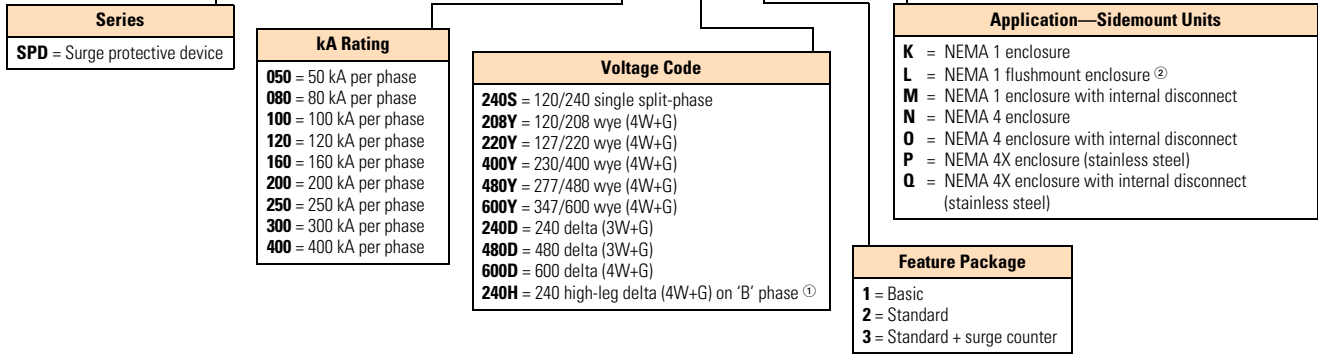
Surge Protection and Power Conditioning

Catalog Number Selection

2

SPD Series Units for Mounting External to Electrical Distribution Equipment

SPD 250 480D 2 K



Notes

① Please consult the factory for 240 high-leg delta (4W+G) applications with high leg on 'C' phase.

② NEMA 1 flushmount units are available in 50–200 kA ratings only.

Example: SPD250480D2K = SPD Series, 250 kA per phase, 480D voltage, standard feature package, housed in NEMA 1 enclosure.

Technical Data and Specifications

SPD Series Specifications

Description	Specification								
Surge capacity ratings available	50, 80, 100, 120, 160, 200, 250, 300, 400 kA per phase								
Nominal discharge current (I_n)	20 kA (maximum rating assigned by UL)								
Short-circuit current rating (SCCR)	200 kA								
SPD type	Basic feature package = Type 1 (can also be used in Type 2 applications) Standard and standard with surge counter feature packages = Type 2								
Single split-phase voltages available	120/240								
Three-phase wye system voltages available	120/208, 127/220, 230/400, 277/480, 347/600								
Three-phase delta system voltages available	240, 480, 600								
Input power frequency	50/60 Hz								
Power consumption (basic units):									
208Y, 220Y, 240S, 240D and 240H voltage codes	0.5 W								
400Y, 480Y and 480D voltage codes	1.1 W								
600Y and 600D voltage codes	1.3 W								
Power consumption (standard and standard with surge counter units):									
208Y, 220Y, 240S, 240D and 240H voltage codes	0.6 W								
400Y, 480Y and 480D basic voltage codes	1.7 W								
600Y and 600D voltage codes	2.1 W								
Protection modes	<table border="0"> <tr> <td>Single split-phase</td> <td>L-N, L-G, N-G, L-L</td> </tr> <tr> <td>Three-phase wye</td> <td>L-N, L-G, N-G, L-L</td> </tr> <tr> <td>Three-phase delta</td> <td>L-G, L-L</td> </tr> <tr> <td>Three-phase high-leg delta</td> <td>L-N, L-G, N-G, L-L</td> </tr> </table>	Single split-phase	L-N, L-G, N-G, L-L	Three-phase wye	L-N, L-G, N-G, L-L	Three-phase delta	L-G, L-L	Three-phase high-leg delta	L-N, L-G, N-G, L-L
Single split-phase	L-N, L-G, N-G, L-L								
Three-phase wye	L-N, L-G, N-G, L-L								
Three-phase delta	L-G, L-L								
Three-phase high-leg delta	L-N, L-G, N-G, L-L								
Maximum continuous operating voltage (MCOV):									
240S, 208Y, 220Y and 240H MCOV	150 L-N, 150 L-G, 150 N-G, 300 L-L								
400Y and 480Y MCOV	320 L-N, 320 L-G, 320 N-G, 640 L-L								
600Y MCOV	420 L-N, 420 L-G, 420 N-G, 840 L-L								
240D MCOV	320 L-G, 320 L-L								
480D MCOV	640 L-G, 640 L-L								
600D MCOV	840 L-G, 840 L-L								
Ports	1								
Operating temperature	-40 °F to 122 °F (-40 °C to 50 °C)								
Operating humidity	5% through 95%, noncondensing								
Operating altitude	Up to 16,000 ft (5000 m)								
Seismic withstand capability	Meets or exceeds the requirements specified in IBC 2006, CBC 2007 and UBC Zone 4								
Enclosure dimensions and weights	Refer to figures on Pages V3-T2-14–V3-T2-15 for enclosure dimensions and weights								
Form C relay contact ratings	150 Vdc or 125 Vac, 1 A maximum								
Form C relay contact logic	Power ON, normal state—NO contact = open, NC contact = closed Power OFF or fault state—NO contact = closed, NC contact = open								
EMI/RFI filtering attenuation	Up to 50 dB from 10 kHz to 100 MHz								

2.1

SPD, Power Conditioning, PF Capacitors and Harmonic Filters

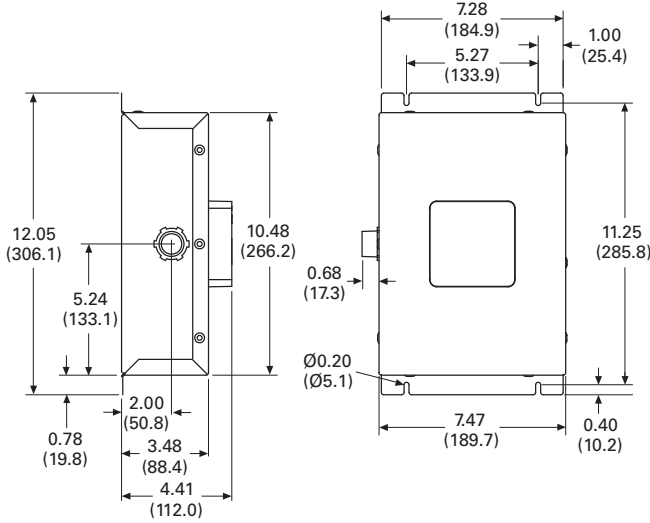
Surge Protection and Power Conditioning

Dimensions

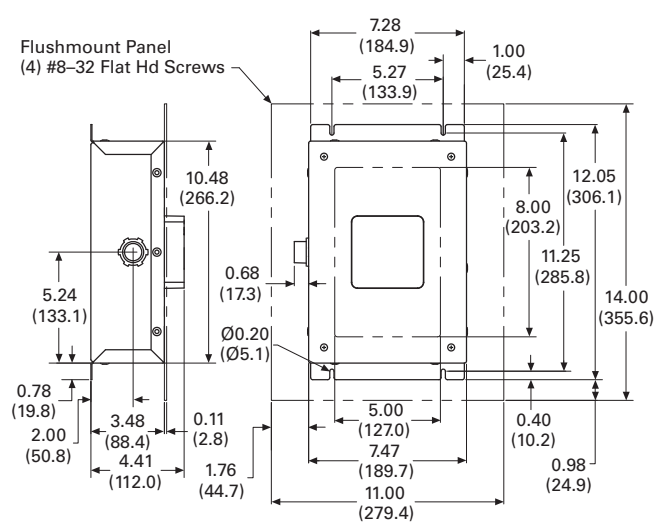
Approximate Dimensions in Inches (mm)

2

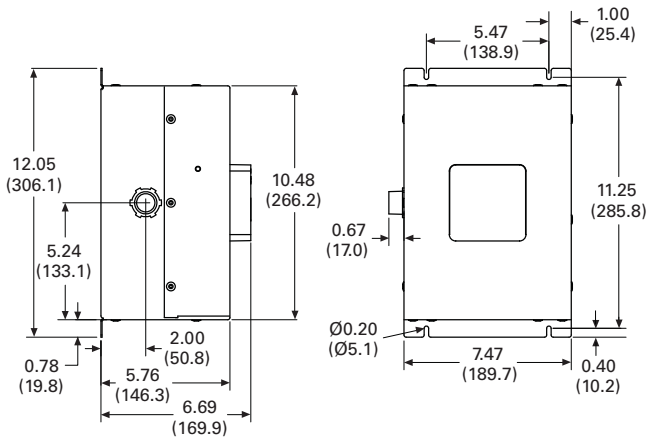
50–200 kA Units in a NEMA 1 Rated Enclosure, Weight = 6.8 Lb



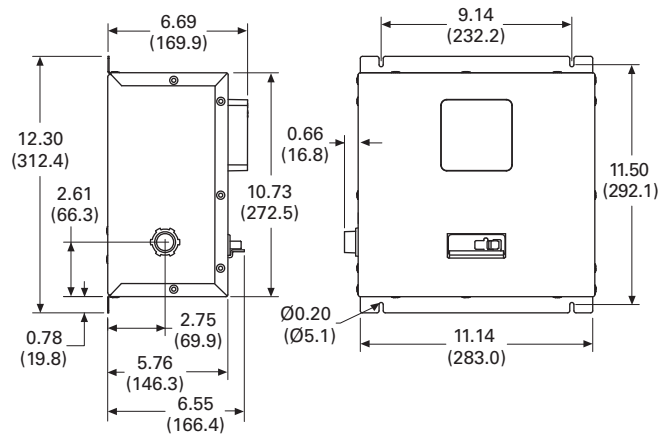
50–200 kA Units in a NEMA 1 Rated Flushmount Enclosure, Weight = 6.8 Lb



250–400 kA Units in a NEMA 1 Rated Enclosure, Weight = 13.5 Lb

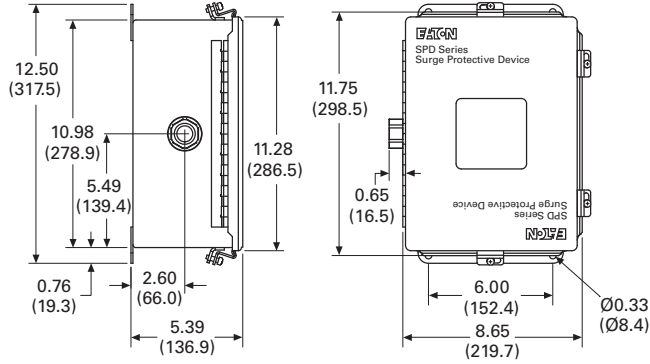


50–400 kA Units in a NEMA 1 Rated Enclosure with Internal Disconnect, Weight = 14.7 Lb

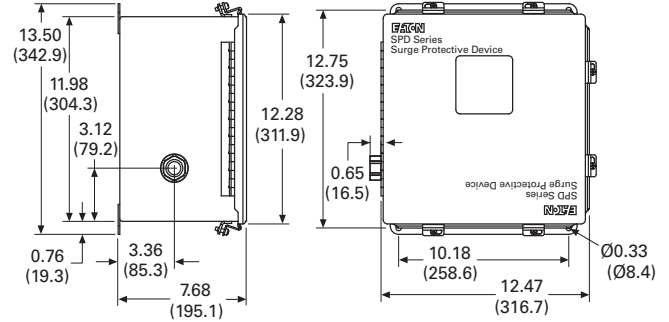


Approximate Dimensions in Inches (mm)

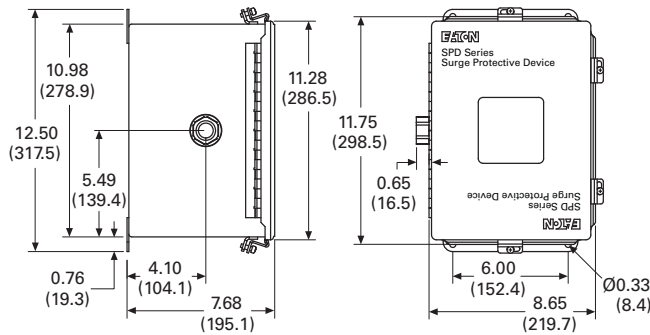
50–200 kA Units in a NEMA 4 or 4X Rated Enclosure, Weight = 14.6 Lb



50–400 kA Units in a NEMA 4 or 4X Rated Enclosure with Internal Disconnect, Weight = 27.5 Lb



250–400 kA Units in a NEMA 4 or 4X Rated Enclosure, Weight = 14.6 Lb



SPD MAX



Contents

<i>Description</i>	<i>Page</i>
Introduction	V3-T2-2
Product Overview	V3-T2-5
SPD Series for Integration into Electrical Distribution Equipment	V3-T2-7
SPD Series for Mounting External to Electrical Distribution Equipment	V3-T2-11
SPD MAX Series Surge Protection	V3-T2-16
Catalog Number Selection	V3-T2-17
Technical Data and Specifications	V3-T2-18
Dimensions	V3-T2-19
SPC Surge Protective Device	
CVX050/100	V3-T2-24
SP1 Surge Protective Device	V3-T2-27
AEGIS Powerline Filters	V3-T2-29
AEGIS DN Series	V3-T2-34
Sag Ride-Through (SRT2)	V3-T2-37
Power-Sure 700 (T700)	V3-T2-41
Power-Sure 800 (T800)	V3-T2-44
Power-Suppress 100 (T100)	V3-T2-48

SPD MAX Series Surge Protection

Product Description

Eaton’s SPD MAX Series side-mounted surge protective devices are the latest and most advanced UL 1449 4th Edition certified surge protectors. Applying SPD MAX Series units at main service entrances and critical loads will ensure that equipment is protected with the safest and most reliable surge protective devices (SPDs) available. Units are available in all common voltages and configurations, and also in a variety of surge current capacity ratings from 100 kA through 800 kA. Additionally, you may choose from two feature package options.

Application Description

The breadth of the SPD MAX Series’ features, options and configurations ensures that the correct unit is available for all electrical applications, including service entrances, main switchgear, motor control centers, distribution switchboards, panelboards and point-of-use applications.

Features

- Uses thermally protected metal oxide varistor (MOV) technology
- Lockout and tagout provisions
- Safety barriers
- 20 kA nominal discharge current (I_n) rating (maximum rating assigned by UL)
- 100 kA through 800 kA surge current capacity ratings
- Installation flexibility, #10 to 1/0 wire may be used
- Two feature package options
- 200 kA short-circuit current rating (SCCR) (maximum rating assigned by UL)
- Field serviceable
- 15-year warranty standard, additional 5 years with product registration

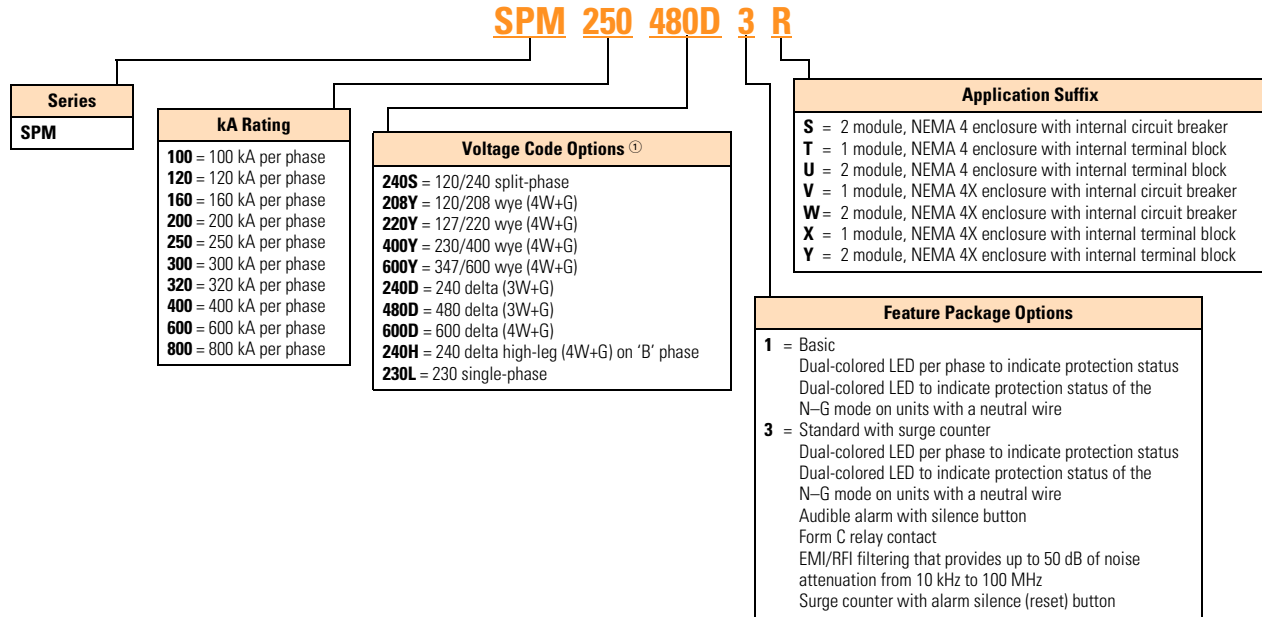
Standards and Certifications

- UL 1449 4th Edition
- UL 1283 7th Edition
- Canadian Standards Association (CSA)
- Built in an ISO 9001 facility
- Designed and tested in accordance with:
 - IEEE® C62.41.1
 - IEEE C62.41.2
 - IEEE C62.43-2005
 - IEEE C62.45-2002
 - IEEE C62.48-2005
 - IEEE C62.62-2010



Catalog Number Selection

SPD MAX Series Surge Protection



Notes

^① Please consult the factory for 240 high-leg delta (4W+G) applications with high leg on 'C' phase.
 SPD250480D3R = SPD MAX Series, 250 kA per phase, 480D voltage, standard with counter features package, NEMA 4 enclosure with internal circuit breaker.

Technical Data and Specifications

2

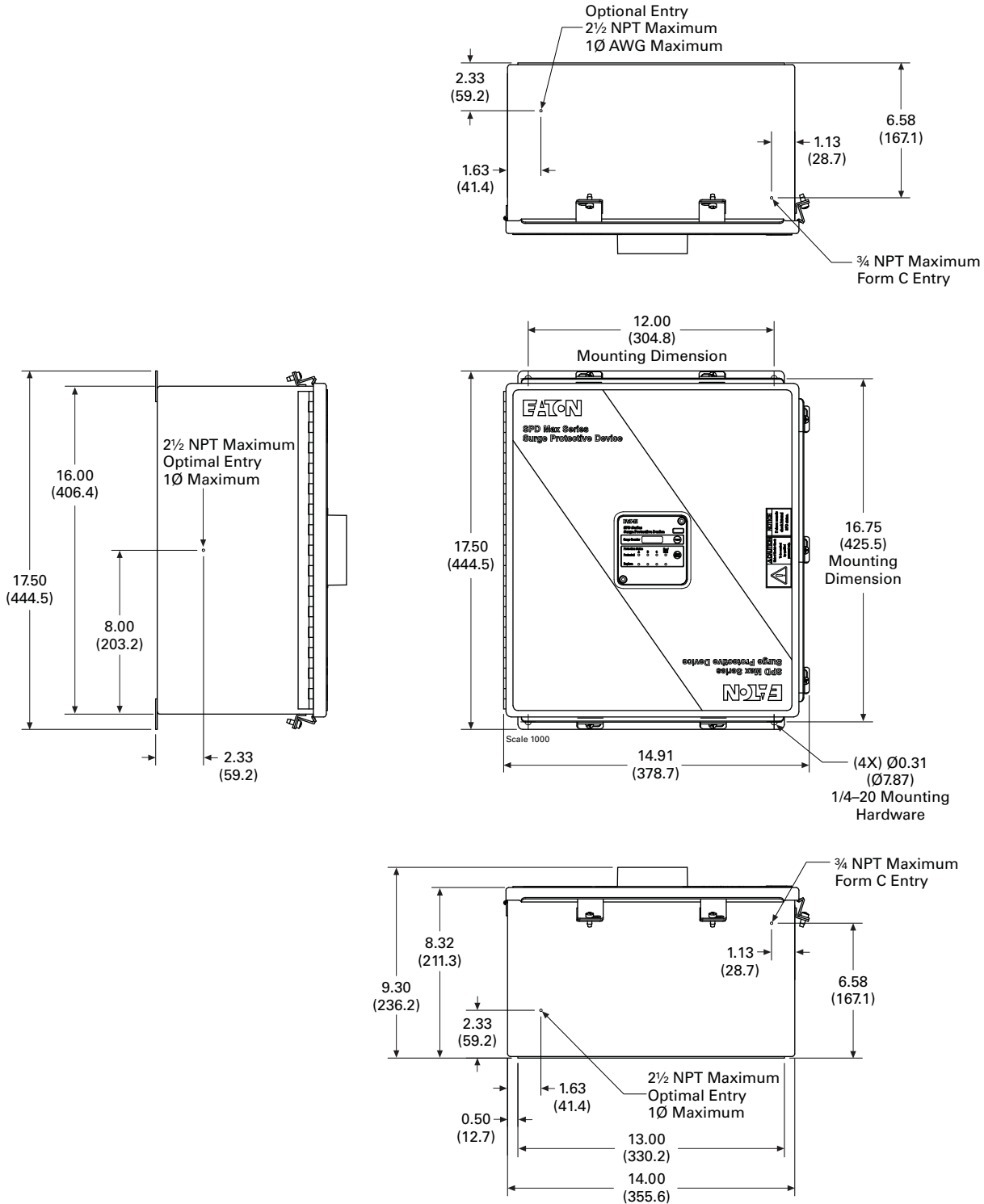
SPD MAX Series Surge Protection

Description	Specification
Surge current capacity per phase	100 kA, 120 kA, 160 kA, 200 kA, 250 kA, 300 kA, 320 kA, 400 kA, 600 kA, 800 kA ratings available
Nominal discharge current (I_n)	20 kA
Short-circuit current rating (SCCR)	200 kA
SPD type	Basic feature package = Type 1 (can also be used in Type 2 applications) Standard with surge counter feature package = Type 2
Enclosure types	NEMA 4, NEMA 4X enclosure
Circuit breaker—30 A	Eaton catalog number: FDC3030L
Circuit Breaker Load and Line	
Terminal torque specifications	#10 AWG 35 lb-in; #8 AWG 40 lb-in; #6–#4 AWG 45 lb-in; #3–1/0 AWG 50 lb-in (SPD maximum wire range #10–1/0 AWG)
Standard split-phase voltages available	120/240
Single-phase	230
Three-phase wye system voltages available	120/208, 127/220, 230/400, 277/480, 347/600
Three-phase delta system voltages	240, 480, 600
Three-phase high leg delta system voltages	120/240 high leg phase wire will be identified with a tag from the factory
Input power frequency	50/60 Hz
Power Consumption (Standard with Surge Counter Units)	
208Y, 220Y, 230L, 240S, 240D and 240H voltage codes	0.6 W
400Y, 480Y and 480D basic voltage codes	1.7 W
600Y and 600D voltage codes	2.1 W
Protection modes	Single split-phase L–N, L–G, N–G, L–L, single-phase L–N, L–G, N–G, three-phase delta L–G, L–L, three-phase wye L–N, L–G, N–G, L–L, three-phase high leg delta L–N, L–G, N–G, L–L
Maximum Continuous Operating Voltage (MCOV)	
230 V single-phase	320 V L–N, 320 V L–G, 320 V N–G
127 V/220 V wye, 120 V/240 V single split phase	150 V L–N, 150 V L–G, 150 V N–G, 300 V L–L
120 V/240 V hi leg	150 V L–N, 150 V L–G, 150 V N–G, 300 V L–L, 320 V H–N, 320 V H–G, 470 V H–L
230 V/400 V wye, 277 V/480 V wye	320 V L–N, 320 V L–G, 320 V N–G, 640 V L–L
347 V/600 V wye	420 V L–N, 420 V L–G, 420 V N–G, 840 V L–L
240 V delta	300 V L–G, 300 V L–L
480 V delta	640 V L–G, 640 V L–L
600 V delta	840 V L–G, 840 V L–L
Ports	1 or 2
Operating temperature and humidity	–20 °C through +50 °C (–4 °F through +122 °F), 5% through 95%, noncondensing
Storage temperature	–20 °C through +50 °C (–4 °F through +122 °F)
Operating altitude	Up to 16,000 ft (5000 m)
Weight	Not to exceed 52 lb
Form C relay contact ratings	Maximum 0.46 A, 150 Vac, 1 A, 30 Vdc
Form C terminal block ratings	Rated 300 V, 16 A, 30–12 AWG solid or stranded wire. Torque range 5–7 lb-in
Form C relay contact logic	Power on, normal state—NO contact = OPEN, NC contact = CLOSED Power off, fault state—NO contact = CLOSED, NC contact = OPEN
EMI/RFI filtering attenuation (standard with surge counter)	Up to 50 dB from 10 kHz to 100 MHz
Standards / agency certifications	UL 1449 Edition 4—standard for surge protective devices UL 1283 Edition 7—standard for EMI filters (Type 2 SPDs only) CSA Electrical Notice No. 516 Edition 1—surge/transient voltage suppressor (excludes 230 L voltage code) CSA 22.2 NO. 8-M1986 Edition 4—EMI filters
Warranty	15 years from the date of delivery to the purchaser, 20 years if the product is properly registered at www.eaton.com
RoHS compliant	Yes

Dimensions

Approximate Dimensions in Inches (mm)

SPD MAX Series Surge Protection



SPC



Contents

<i>Description</i>	<i>Page</i>
Introduction	V3-T2-2
Product Overview	V3-T2-5
SPD Series for Integration into Electrical Distribution Equipment	V3-T2-7
SPD Series for Mounting External to Electrical Distribution Equipment	V3-T2-11
SPD MAX Series Surge Protection	V3-T2-16
SPC Surge Protective Device Catalog Number Selection	V3-T2-21
Technical Data and Specifications	V3-T2-22
Dimensions	V3-T2-23
CVX050/100	V3-T2-24
SP1 Surge Protective Device	V3-T2-27
AEGIS Powerline Filters	V3-T2-29
AEGIS DN Series	V3-T2-34
Sag Ride-Through (SRT2)	V3-T2-37
Power-Sure 700 (T700)	V3-T2-41
Power-Sure 800 (T800)	V3-T2-44
Power-Suppress 100 (T100)	V3-T2-48

SPC Surge Protective Device

Product Description

Eaton's SPC Series surge protective devices are UL, 1449 4th Edition, certified surge protectors. Application of SPC Series units throughout a facility will ensure that equipment is protected with the safest and most reliable surge protective devices available. The compact design and NEMA 4X enclosure of the SPC Series allows for installation external to an electrical assembly in a variety of environments.

SPC Series units are available in all common voltages and configurations, and in a variety of peak surge current capacity ratings from 50 through 200 kA per phase. Several feature package options, including filtering, audible alarm and Form C contacts, are available to choose from. A range of configurable options is available to customize the SPC Series features for most electrical applications, including service entrances, distribution panelboards and point-of-use applications. The SPC Series belongs to Eaton's complete family of surge protection solutions, providing coverage for any application.

Application Description

Surge events—short-term transients in voltage threatening critical downstream equipment—happen for many reasons. The most common source, though, is internal devices powering on and off: motors, transformers, photocopiers, fluorescent lighting ballasts, light dimmers, fax machines and more. They can also be generated externally by events like lightning, grid switching or electrical equipment in adjacent buildings.

While seemingly innocent, surge events can wreak serious havoc on unprotected and inadequately protected facilities. They can disrupt, damage or destroy sensitive microprocessor-based devices (computers, programmable logic controls, etc.), resulting in premature aging of equipment, process interruptions and catastrophic failures.

The best way to prevent downtime from an electrical surge is through facility-wide cascaded surge protection at all stages of the electrical distribution system. When properly installed, surge protective devices can mitigate problems with susceptible equipment, keeping it and its related processes running reliably without surge-related disruptions.

Eaton's SPC Series surge protective device (SPD) is a key component to your cascaded protection strategy. It's compact, flexible and configurable to protect most electrical applications, including service entrances, distribution panelboards and point-of-use applications.

Features

- Thermally protected metal oxide varistor (MOV) technology
- Tri-colored LED protection status indicators
- 20 kA nominal discharge current (I_n) rating (maximum rating in the UL 1449 4th Edition standard)
- 50 through 200 kA per phase peak surge current capacity ratings
- Configure-to-order with eight custom feature combinations
- Corrosion-resistant NEMA 4X enclosure with mounting feet
- 200 kA short-circuit current rating (SCCR)
- Factory prewired with 36 inches of 10 AWG wire
- No user-serviceable parts or items requiring periodic maintenance
- 5-year warranty that can be extended to 10 years with product registration at Eaton.com/spc

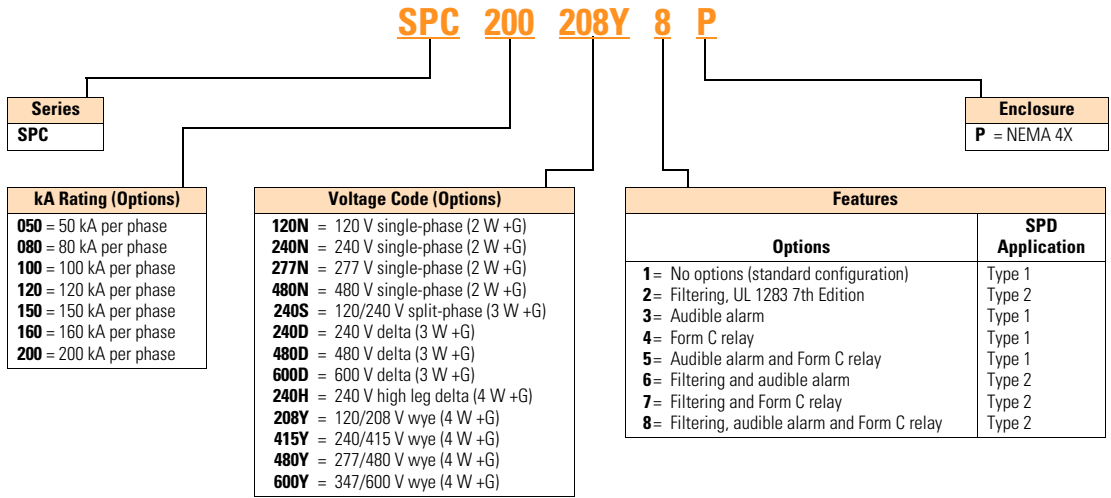
Standards and Certifications

- UL 1449 4th Edition Type 1 and Type 2
- UL 1283 7th Edition (Feature packages: 2, 6, 7 and 8)
- Canadian Standards Association (CSA) Type 1 and Type 2



Catalog Number Selection

SPC



Technical Data and Specifications

SPC

2

Description	Specification
Peak surge current capacity ratings available	50, 80, 100, 120, 150, 160, 200 kA per phase
Nominal discharge current (I _n)	20 kA
Short-circuit current rating (SCCR)	200 kA
Single-phase voltages available (2 W + G)	120, 240, 277, 480
Split-phase voltages available (3 W + G)	120/240
Three-phase wye system voltages available (4 W + G)	120/208, 240/415, 277/480, 347/600
Three-phase delta system voltages available (3 W + G)	240, 480, 600
Three-phase high leg delta system voltage available (4 W + G)	240
Input power frequency	50/60 Hz
Protection modes	Single-phase: L-N, N-G, L-G Split-phase: L-N, N-G, L-G, L-L Wye: L-N, N-G, L-G, L-L Delta: L-G, L-L
Maximum continuous operating voltage (MCOV):	
120N	150 L-N, 150 L-G, 150 N-G
240N, 277N	320 L-N, 320 L-G, 320 N-G
480N	550 L-N, 550 L-G, 550 N-G
240S, 208Y	150 L-N, 150 L-G, 150 N-G, 300 L-L
240H	150 L-N, 150 L-G, 150 N-G, 300 L-L, 470 H-L, 320 H-N, 320 H-G
415Y and 480Y	320 L-N, 320 L-G, 320 N-G, 640 L-L
600Y	320 L-N, 320 L-G, 320 N-G, 640 L-L
240D	320 L-G, 300 L-L
480D	550 L-G, 640 L-L
600D	840 L-G, 840 L-L
Ports	1
Operating temperature	-40 °F to 140 °F (-40 °C to 60 °C)
Storage temperature	-40 °F to 140 °F (-40 °C to 60 °C)
Operating humidity	5% through 95%, noncondensing
Operating altitude	Up to 2000 m (6561 ft)
Agency certification/listing	UL 1449 4th edition, UL 1283 7th edition, CSA C22.2 No. 269.1-14 for Type 1 SPD, CSA C22.2 No. 269.2-13 for Type 2 SPD, CSA C22.2 no. 8-13 for EMI Filter
Durability Repetitive Strike Test	Passed 15,000 strikes to ANSI/IEEE C62.41 (20 kV, 10 kA) Category C Waveform
SPD type	UL 1449 4th edition and CSA Type 1 and Type 2 SPD (dependent on feature options)
Enclosure dimensions and weights	Refer to Page V3-T2-23 for enclosure dimensions and weights
Enclosure rating	NEMA 4X enclosure ^①
Form C relay contact ratings	2A at 30 Vdc or 250 Vac
Form C relay contact logic	Power ON, normal state; NO contact = open, NC contact = closed Power OFF or fault state; NO contact = closed, NC contact = open
EMI/RFI filtering attenuation	Up to 40 dB from 10 kHz to 100 MHz
RoHS compliant	Yes
Warranty	5 years standard, 10 years with product registration on www.eaton.com/spc

SPC voltage configurations per enclosure size

P1 Enclosure	P2 Enclosure
120N/240N/277N/480N = 50–200 kA	240S = 120–200 kA
240S = 50–100 kA	208Y/415Y/480Y/600Y = 120–200 kA
208Y/415Y/480Y/600Y = 50–100 kA	240D/480D = 120–200 kA
240D/480D = 50–100 kA	600D = 50–200 kA
240H = 50–100 kA	240H = 120–200 kA

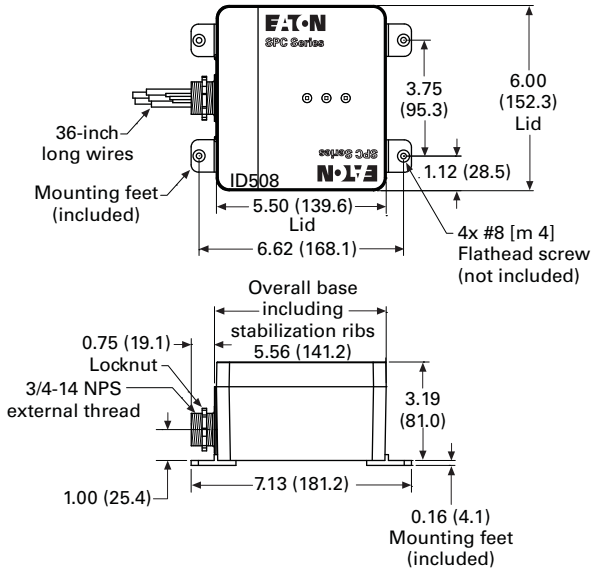
Note

^① Mounting feet required to achieve NEMA 4X rating.

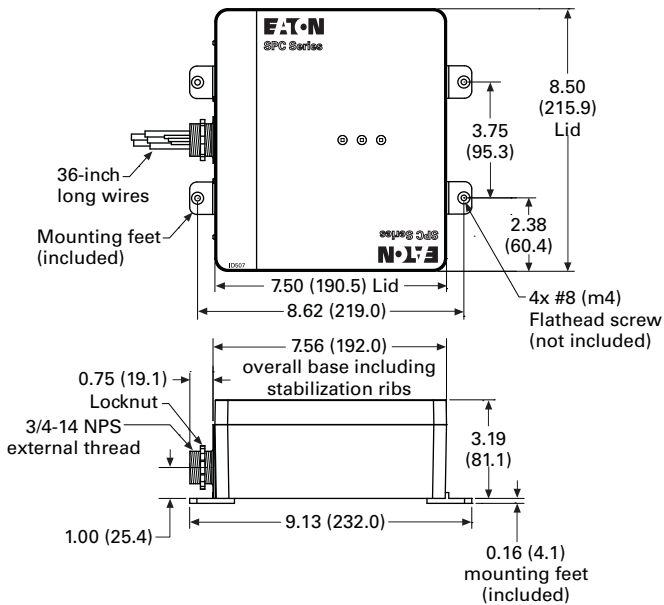
Dimensions

Approximate Dimensions in Inches (mm)

P1



P2



CVX050/100



Contents

<i>Description</i>	<i>Page</i>
Introduction	V3-T2-2
Product Overview	V3-T2-5
SPD Series for Integration into Electrical Distribution Equipment	V3-T2-7
SPD Series for Mounting External to Electrical Distribution Equipment	V3-T2-11
SPD MAX Series Surge Protection	V3-T2-16
SPC Surge Protective Device	V3-T2-20
CVX050/100	
Catalog Number Selection	V3-T2-25
Technical Data and Specifications	V3-T2-25
Dimensions	V3-T2-26
SP1 Surge Protective Device	V3-T2-27
AEGIS Powerline Filters	V3-T2-29
AEGIS DN Series	V3-T2-34
Sag Ride-Through (SRT2)	V3-T2-37
Power-Sure 700 (T700)	V3-T2-41
Power-Sure 800 (T800)	V3-T2-44
Power-Suppress 100 (T100)	V3-T2-48

CVX050/100

Product Description

With over two decades of experience in the surge suppression industry and extensive R&D initiatives, Eaton is considered a world leader in surge protective device (SPD) manufacturing. All of Eaton's products are manufactured in an ISO® 9001:2000 and ISO 14001 certified facility.

Eaton's CVX050/100 models are rugged, cost-effective, high-quality SPDs that feature self-protected MOVs that eliminate the failure characteristics of standard metal oxide varistors. This technology results in a fail-safe device that monitors the status of the metal oxide disk and disconnects itself from the power system when the disk is approaching breakdown.

The CVX050/100 is easy to install adjacent or even internal to electrical equipment. When installing an SPD in a retrofit environment, it is important to mount the device as close to the electrical equipment as possible. Keep the wiring (lead length) between the electrical equipment and SPD as short as possible, and twist or wire tie the conductors together to reduce the wire's impedance factor.

Application Description

Eaton's CVX050 and CVX100 SPDs protect electronic equipment from damaging transients. These units are suitable for medium and low exposure level applications that require cost-effective, high quality system protection including:

- Residential/small business
- Light industrial
- Light commercial
- Branch panel protection
- OEM applications

Features, Benefits and Functions

- Advanced surge path technology for high fault current capacity, low impedance, high frequency design
- Rugged NEMA® 4X (IP65) enclosure
- Large diameter, self-protected metal oxide varistors provide long life and fail-safe operation
- LED monitoring of each phase
- Wide range of voltage applications from 100 to 600 Vac and 48 and 125 Vdc
- 5-year free replacement warranty

Optional Features

- External mounting feet (catalog number MNTGFTX)
- Flush mounting plate (catalog number FLUSHMNTPLATE12)

Standards and Certifications

- UL 1449 4th Edition for surge protective devices
- CE marked
- Vibration tested IEC 60255-21-1 and -2

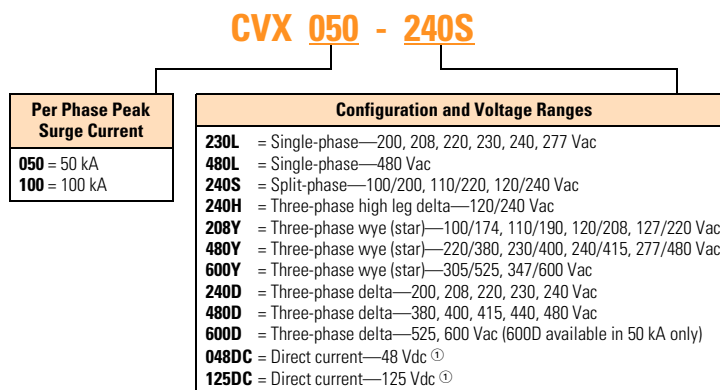


Note: CE, CSA and UL on AC unit only.

Catalog Number Selection

CVX050/100

2



Technical Data and Specifications

CVX050/100 Model Specifications

Description	Specification
Peak kA per phase	50, 100
Peak kA per mode	50
Nominal discharge current	20 kA ①
Short-circuit current rating	100 kA
Single-phase voltages	200, 208, 220, 230, 240, 277, 380, 400, 440, 460, 480 Vac
Split-phase voltages	100/200, 110/220/ 120/240 Vac
High leg delta voltages	240 Vac
Wye system voltages	100/175, 110/190, 120/208, 127/220, 220/380, 230/400, 240/415, 277/480, 305/525, 347/600 Vac
Delta system voltages	200, 208, 220, 230, 240, 380, 400, 415, 440, 480, 525, 600 Vac
Direct current Voltage ②	48 Vdc, 125 Vdc
Input power frequency	47–420 Hz (50/60 Hz typical)
Protection modes	Single-phase: L-N, N-G, L-G Split-phase: L-N, N-G, L-G, L-L High leg delta: L-N, N-G, L-G, L-L, H-N, H-G, H-L Wye: L-N, N-G, L-G, L-L Delta: L-G, L-L Direct current ① (DC): L-L, L-G
Number of ports	1
Specific energy	100 kJ/Ohm
Weight	≈2.0 lb (1.0 kg)
Operating temperature	–13 °F (–25 °C) to +140 °F (+60 °C)
Vibration tested	IEC 60255-21-1 and IEC 60255-21-2

Notes

- ① 480L, 600D and 600Y units rated 10 kA I_n.
- ② DC models only available in 50 kA.

2.1

SPD, Power Conditioning, PF Capacitors and Harmonic Filters

Surge Protection and Power Conditioning

CVX050/100 Voltage Ratings

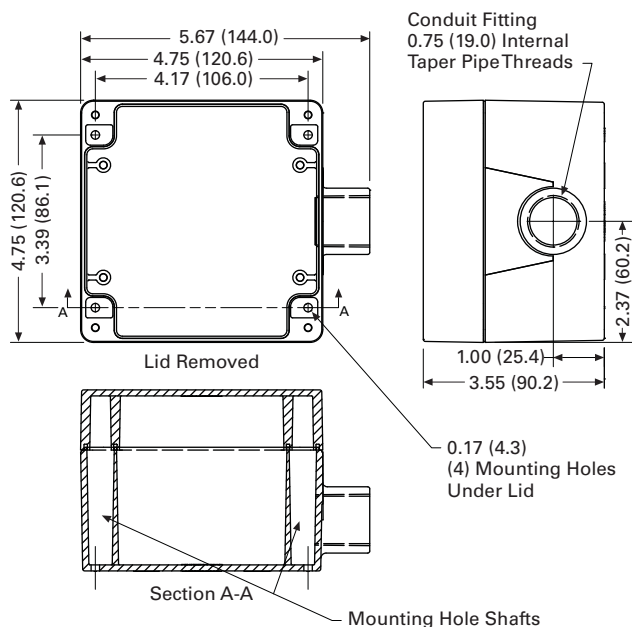
2

Model	System Configuration	Nominal System Voltage	MCOV				UL 1449-4 VPR ^①			
			L-L	L-N	L-G	N-G	L-L	L-N	L-G	N-G
CVX050										
230L	Single-phase two-wire + ground	200, 208, 220, 230, 240, 277	—	320	640	320	—	1200	1200	1200
480L	Single-phase two-wire + ground	380, 400, 440, 460, 480	—	550	1100	550	—	1800	4000	1800
240S	Split-phase three-wire + ground	100/200, 110/220, 120/240	300	150	300	150	1200	700	1200	800
208Y	Three-phase wye (star) four-wire + ground	100/175, 110/190, 120/208, 127/220	300	150	300	150	1200	700	1200	800
480Y	Three-phase wye (star) four-wire + ground	220/380, 230/400, 240/415, 277/480	640	320	640	320	2500	1200	2000	1200
600Y	Three-phase wye (star) four-wire + ground	305/525, 347/600	840	420	840	420	2500	1500	2500	1500
240D	Three-phase delta three-wire + ground	200, 208, 220, 230, 240	640	—	320	—	2000	—	1200	—
240H	Three-phase high leg delta	240	300	150	150	640	1500	700	1200	700
480D	Three-phase delta three-wire + ground	380, 400, 415, 440, 480	1100	—	550	—	3000	—	1800	—
600D	Three-phase delta three-wire + ground	525, 600	1100	—	700	—	3000	—	2500	—
048DC	Direct current	48 Vdc ^②	130	—	65	—	—	—	—	—
125DC	Direct current	125 Vdc ^②	288	—	144	—	—	—	—	—
CVX100										
230L	Single-phase two-wire + ground	200, 208, 220, 230, 240, 277	—	320	320	320	—	1200	1200	1200
480L	Single-phase two-wire + ground	380, 400, 440, 460, 480	—	550	550	550	—	1800	1800	1800
240S	Split-phase three-wire + ground	100/200, 110/220, 120/240	300	150	150	150	1200	700	800	700
208Y	Three-phase wye (star) four-wire + ground	100/175, 110/190, 120/208, 127/220	300	150	150	150	1000	600	700	700
480Y	Three-phase wye (star) four-wire + ground	220/380, 230/400, 240/415, 277/480	640	320	320	320	1800	1200	1200	1200
600Y	Three-phase wye (star) four-wire + ground	305/525, 347/600	840	420	420	420	2500	1500	1500	1500
240D	Three-phase delta three-wire + ground	200, 208, 220, 230, 240	640	—	320	—	1800	—	1200	—
240H	Three-phase high leg delta	240	300	150	150	150	1200	700	700	700
480D	Three-phase delta three-wire + ground	380, 400, 415, 440, 480	1100	—	550	—	3000	—	1800	—

Dimensions

Approximate Dimensions in Inches (mm)

CVX050/100 Standard Dimensions



Dimensions are in Inches (mm)

Notes

- ① UL 1449 4th Edition VPR (voltage protection rating) test environment: All tests performed with 6-inch lead length, positive polarity.
- ② DC units available in 50 kA only. Voltages shown are the maximum suggested operating voltages and are not UL certified.

SP1 Surge Protective Device



SP1 Surge Protective Device

Product Description

Eaton’s SP1 is a UL 1449 4th Edition-listed surge protective device that provides reliable, cost-effective surge protection. This Type 1 SPD is capable of being installed on either the line or the load side of the service entrance disconnect, and can be used as a replacement for devices formerly known as secondary surge arresters or lightning arresters, which could not be manufactured after UL 1449 4th Edition went into effect on September 29, 2009. The unit is available in many common voltages and configurations. Multiple mounting options coupled with a compact footprint enables installation of the SP1 in a wide range of applications, including panelboards, loadcenters, pump panels, control cabinets, and other electrical assemblies and applications.

Installation and operation of the SP1 is simple. The unit comes pre-wired with 24.00 inches of 10-gauge wire and is mounted via the half-inch nipple that is molded into its enclosure. Wall or DIN rail mounting can also be accomplished with the addition of an optional kit. When powered, the unit’s light-emitting diode (LED) indicator reports the status of the protection elements and is active when all of them are intact and providing protection. Any loss of protection is signaled when the LED extinguishes.

Contents

Description

	<i>Page</i>
Introduction	V3-T2-2
Product Overview	V3-T2-5
SPD Series for Integration into Electrical Distribution Equipment	V3-T2-7
SPD Series for Mounting External to Electrical Distribution Equipment	V3-T2-11
SPD MAX Series Surge Protection	V3-T2-16
SPC Surge Protective Device	V3-T2-20
CVX050/100	V3-T2-24
SP1 Surge Protective Device	
Catalog Number Selection	V3-T2-28
Technical Data and Specifications	V3-T2-28
Dimensions	V3-T2-28
AEGIS Powerline Filters	V3-T2-29
AEGIS DN Series	V3-T2-34
Sag Ride-Through (SRT2)	V3-T2-37
Power-Sure 700 (T700)	V3-T2-41
Power-Sure 800 (T800)	V3-T2-44
Power-Suppress 100 (T100)	V3-T2-48

Features

- Type 1 SPD capable of installation on either the line or the load side of the service entrance disconnect
- 20 kA nominal discharge current rating (I_n) on most models
- 50 kA per phase surge current capacity
- Compact footprint—4.80-inch L x 2.90-inch W x 2.50-inch D
- Pre-wired with 24.00 inches of 10-gauge wire
- Half-inch nipple molded into enclosure enables quick and easy mounting
- Optional kit enables wall or DIN rail mounting
- Two-year warranty

Standards and Certifications

- UL 1449 4th Edition-listed device



2.1

SPD, Power Conditioning, PF Capacitors and Harmonic Filters

Surge Protection and Power Conditioning

Catalog Number Selection

SP1

2

SP1 - XXXX

Series	Voltage Code
SP1	240S = 120/240 V single split-phase 208Y = 120/208 wye 480Y = 277/480 wye 600Y = 347/600Y wye 240D = 240 delta 480D = 480 delta 600D = 600 delta

SP1MNTGKIT = optional wall or DIN rail mounting kit (order separately—not included with SP1 unit)

Technical Data and Specifications

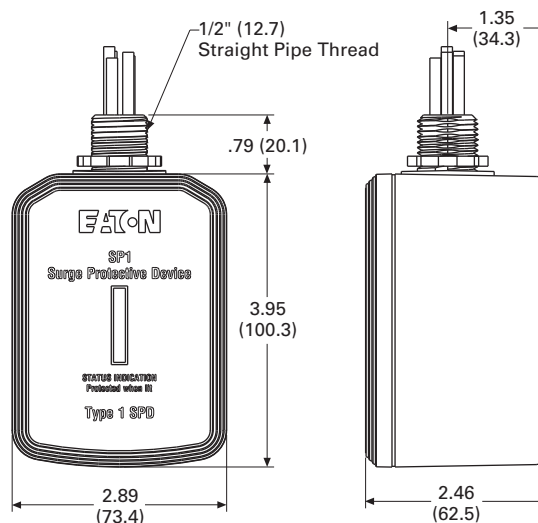
SP1

Description	Ratings
Surge current capacity per phase	50 kA
Nominal discharge current (I _n)	20 kA for SP1-240S, 208Y, 480Y, 240D and 480D 10 kA for SP1-600Y and 600D
Short-circuit current rating (SCCR)	200 kA
SPD type	Type 1 (can also be used in Type 2 applications)
System voltages available (Vac)	
Single split-phase	120/240
Three-phase wye	120/208, 277/480, 347/600
Three-phase delta	240, 480, 600
Protection modes	
Single split-phase and three-phase wye	L-N, L-L
Three-phase delta	L-G, L-L
Maximum continuous operating voltage (MCOV)	
SP1-240S and SP1-208Y	150 L-N, 300 L-L
SP1-480Y	320 L-N, 640 L-G
SP1-600Y	420 L-N, 840 L-G
SP1-240D	300 L-G, 300 L-L
SP1-480D	640 L-G, 640 L-L
SP1-600D	840 L-G, 840 L-L
Input power frequency	50/60 Hz
Enclosure rating	NEMA 4
Operating temperature	-20 °C to 50 °C (-4 °F to 122 °F)
Operating humidity	5–95%, noncondensing
Operating altitude	Up to 16,000 ft (5000 m)
Agency certification and approvals	UL 1449 4th Edition Listed device
Warranty	2 years

Dimensions

Approximate Dimensions in Inches (mm)

SP1



ANSI/UL 1449 4th Edition Voltage Protection Ratings

Catalog Number	Protection Mode		
	L-N	L-G	L-L
SP1-240S	600	N/A	1000
SP1-208Y	600	N/A	1000
SP1-480Y	1200	N/A	2000
SP1-600Y	1500	N/A	2500
SP1-240D	N/A	1000	1000
SP1-480D	N/A	2000	2000
SP1-600D	N/A	2500	2500

AEGIS Solutions



Contents

<i>Description</i>	<i>Page</i>
Introduction	V3-T2-2
Product Overview	V3-T2-5
SPD Series for Integration into Electrical Distribution Equipment	V3-T2-7
SPD Series for Mounting External to Electrical Distribution Equipment	V3-T2-11
SPD MAX Series Surge Protection	V3-T2-16
SPC Surge Protective Device	V3-T2-20
CVX050/100	V3-T2-24
SP1 Surge Protective Device	V3-T2-27
AEGIS Powerline Filters	
Features, Benefits and Functions	V3-T2-30
Standards and Certifications	V3-T2-31
Catalog Number Selection	V3-T2-31
Technical Data and Specifications	V3-T2-32
AEGIS DN Series	V3-T2-34
Sag Ride-Through (SRT2)	V3-T2-37
Power-Sure 700 (T700)	V3-T2-41
Power-Sure 800 (T800)	V3-T2-44
Power-Suppress 100 (T100)	V3-T2-48

AEGIS Powerline Filters

Product Description

Eaton AEGIS™ Series line filters and surge protectors are specifically designed to protect sensitive electronics from hazards that exist within a facility. The AEGIS Series hybrid filter reacts instantly to changes in voltage regardless of phase angle or polarity. In comparison to other line filters, this technology provides a higher level of suppression, reliability and life expectancy.

Application Description

By providing surge protection and line filtering, AEGIS devices can suppress the noise and transients prevalent throughout the power distribution system to support reliable operations in applications including:

- Instrumentation
- Water treatment facilities
- Pulp and paper operations
- Refrigeration and heating plants
- Petrochemical and refinery
- Food processing
- Textiles
- Automotive assembly
- Manufacturing operations

No matter where transients originate, the application of AEGIS Series devices will help protect sensitive electronic equipment including:

- Programmable logic controllers (PLCs)
- Scanning devices
- Automatic teller machines (ATMs)
- Cash registers
- Alarm systems
- Microprocessor-controlled
- OEM products
- Robotics
- CAD/CAM systems
- Control equipment
- Medical electronics and devices

AEGIS Series devices are available in a variety of common voltages and configurations.

Why Should Sensitive Electronic Loads be Protected?

PLC manufacturers and service technicians recommend the use of power line filters and surge suppressors to prevent downtime and equipment damage due to surges and electrical line noise. Studies have shown that failure to protect sensitive electronic loads costs American manufacturing and commercial and service industries over \$39 billion per year in lost time and revenue. Preventing these losses is a major cost-saving opportunity.

2.1

SPD, Power Conditioning, PF Capacitors and Harmonic Filters

Surge Protection and Power Conditioning

2

Features, Benefits and Functions

- Compact design with multiple mounting options
- Meets new UL safety standards for surge and filtering protection
- AC models available with up to 80 kA surge current capacity ratings
- DIN rail mounting available on most models
- Contains no replaceable parts or items that require periodic maintenance
- Alarm contact available
- Five- to ten-year warranty standard dependent on model; warranty extended an additional five years if registered

The breadth of the AEGIS Series' features, options and configurations ensures that the correct unit is available for all critical electrical applications, including control panels, security systems, measurement systems, lab equipment and other point-of-use applications.



The AEGIS PH Series Protects Critical Loads up to 20 A



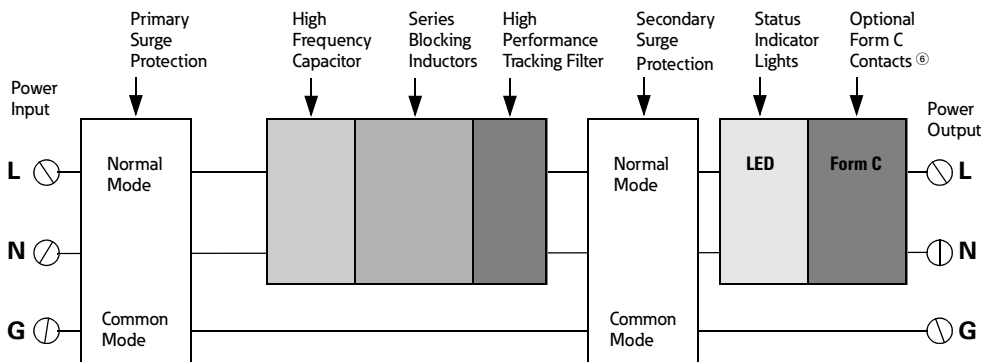
The AEGIS PV Series Protects Critical Loads up to 5 A

AEGIS Summary

Specifications	PH	PV	CF	CN
Voltage	120/240 Vac	120/240 Vac	120/240 Vac ^① 24/48 Vdc	120/230 Vac ^① 24/48 Vdc
Current range	3–20 A	1–5 A	10–60 A	30 A
DIN mounting	Yes	Yes	Yes ^②	No
UL 1283 7th Edition & UL 1449 4th Edition	Yes	Yes	Yes ^③	Yes ^③
Filtering	Yes	Yes	Yes	No
EMI/RFI filtering attenuation at 100 kHz	75 dB	50 dB	40 dB	N/A
L to G, L to N & N to G protection modes	Yes	Yes	Yes	Yes
Peak kA per phase / mode	60/30	40/20	80/40	80/40
UL nominal discharge current (I _n)	5 kA	5 kA	5 kA	5 kA
UL voltage protection rating (VPR) L–G / L–N ^④	330/400	330/400	500/500	500/500
Short-circuit current rating (SCCR)	5 kA	5 kA	10 kA	10 kA
Alarm contacts	Yes	No	Yes ^⑤	No
Standard warranty / registered warranty (years)	10/15	10/15	5/10	5/10
Communication line protection (UL 497A)	No	No	Yes ^⑤	No

AEGIS PH and PV Series Hybrid Powerline Filters

Three-Wire Design has Normal and Common Mode Protection (L-N, L-G, N-G)



Notes

- ① Voltage rating of 240 Vac applies to CF24010-DIN2 unit only. Voltage rating of 230 Vac applies to 15 and 30 A units.
- ② Standard on 10 A; optional on 15 A, 30 A and 60 A with DIN mounting kit.
- ③ Vac models only.
- ④ Ratings shown for 120 Vac models, other voltages listed in Technical Data.
- ⑤ Optional on 30 A and 60 A models only.
- ⑥ Available on the PH Series only.



AEGIS Products

Standards and Certifications

- UL 1449 4th Edition
- UL 1283 7th Edition
- Built in an ISO® 9001 facility
- Designed and tested in accordance with:
 - IEEE C62.41.1
 - IEEE C62.41.2
 - IEEE C62.43-2005
 - IEEE C62.45-2002
 - IEEE C62.48-2005
 - IEEE C62.62-2010
 - RoHS compliant



Catalog Number Selection

AEGIS

Product Family	Protection/Filtering	Voltage	Amperage	Options
AG	PH = Premium protection with hybrid filtering	120 = 120 Vac 240 = 240 Vac	03 = 3 A 05 = 5 A 10 = 10 A 15 = 15 A 20 = 20 A	—
	PV = Premium protection with filtering	120 = 120 Vac 240 = 240 Vac	01 = 1 A 03 = 3 A 05 = 5 A	—
	CF = Critical protection with filtering	120 = 120 Vac 240 = 240 Vac	10 = 10 A	DIN2 = DIN2 mount (1 inch wide) CP = Compact ①
		024 = 24 Vdc 048 = 48 Vdc	10 = 10 A	DIN = DIN mount (2.5 inch wide)
		230 = 230 Vac	15 = 15 A	Optional DIN mount kit— DINRAILKIT-30ACF
		120 = 120 Vac 230 = 230 Vac	30 = 30 A	RJ = Telcom protection and Form C status contacts Optional DIN mount kit— DINRAILKIT-30ACF
	CN = Critical protection without filtering	120 = 120 Vac 230 = 230 Vac 024 = 24 Vdc 048 = 48 Vdc	60 = 60 A ②	RJ = Telcom protection and Form C status contacts Optional DIN mount kit— DINRAILKIT-60ACF
			30 = 30 A	—

Notes

- ① Only available in the 10 A, 120 Vac CF version.
- ② Only available in the 120 Vac version.

2.1

SPD, Power Conditioning, PF Capacitors and Harmonic Filters

Surge Protection and Power Conditioning

Technical Data and Specifications

2

AEGIS PH and PV

Specifications	PH 120 Vac	PH 240 Vac	PV 120 Vac	PV 240 Vac
	3, 5, 10, 15, 20 A	3, 5, 10, 15, 20 A	1, 3, 5 A	1, 3, 5 A
DIN mounting	Yes	Yes	Yes	Yes
UL 1283 7th Edition and UL 1449 4th Edition	Yes	Yes	Yes	Yes
RoHS compliant	Yes	Yes	Yes	Yes
Filtering	Yes	Yes	Yes	Yes
EMI/RFI filtering attenuation at 100 kHz	75 dB	75 dB	50 dB	50 dB
L-G, L-N and N-G protection modes	Yes	Yes	Yes	Yes
Peak kA per phase/mode	60/30	60/30	40/20	40/20
UL nominal discharge current (I _n)	5 kA	5 kA	5 kA	5 kA
UL voltage protection rating (VPR) L-G / L-N / N-G	330/400/330	600/700/600	330/400/330	600/700/600
MCOV	150	275	150	275
Short-circuit current rating (SCCR)	5 kA	5 kA	5 kA	5 kA
Alarm contacts	Yes	Yes	No	No
Standard warranty / registered warranty (years)	10/15	10/15	10/15	10/15
Communication line protection (UL 497A)	No	No	No	No

AEGIS CF

Specifications	CF 24 Vdc		CF 48 Vdc		CF 120 Vac				CF 230 Vac		CF 240 Vac
	10 A	10 A	10 A	10 A	10 A	10 A	30 A	60 A	15 A	30 A	10 A
DIN mounting	Yes	No	Yes	No	Yes	No	Yes ^①	Yes ^①	No	No	Yes
UL 1283 7th Edition and UL 1449 4th Edition	—	—	—	—	Yes	Yes	Yes	Yes	Yes	Yes	Yes
RoHS compliant	—	—	—	—	Yes	Yes	Yes	Yes	Yes	Yes	Yes
Filtering	Yes	Yes	Yes	Yes	Yes	Yes	Yes	Yes	Yes	Yes	Yes
EMI/RFI filtering attenuation at 100 kHz	40 dB	40 dB	40 dB	40 dB	40 dB	40 dB	40 dB	40 dB	40 dB	40 dB	40 dB
L-G, L-N and N-G protection modes	Yes	Yes	Yes	Yes	Yes	Yes	Yes	Yes	Yes	Yes	Yes
Peak kA per phase/mode	6/2	6/2	20/6	20/6	30/10	40/20	80/40	80/40	24/8	56/24	30/10
UL nominal discharge current (I _n)	N/A	N/A	N/A	N/A	3 kA	5 kA	5 kA	5 kA	N/A	N/A	3 kA
UL voltage protection rating (VPR) L-G / L-N / N-G	N/A	N/A	N/A	N/A	500/500/500	500/500/500	500/500/500	500/500/500	N/A	N/A	900/800/900
MCOV	30	30	50	50	150	150	150	150	275	275	275
Short-circuit current rating (SCCR)	10 kA	10 kA	10 kA	10 kA	10 kA	10 kA	10 kA	10 kA	10 kA	10 kA	10 kA
Alarm contacts	No	No	No	No	No	No	No	No	No	No	No
Standard warranty / registered warranty (years)	5/10	5/10	5/10	5/10	5/10	5/10	5/10	5/10	5/10	5/10	5/10
Communication line protection (UL 497A)	No	No	No	No	No	No	Yes ^①	Yes ^①	No	Yes ^①	No

Note

^① Optional.

AEGIS CN

Specifications	24 Vdc 30 A	48 Vdc 30 A	120 Vac 30 A	230 Vac 30 A
DIN mounting	No	No	No	No
UL 1283 7th Edition and UL 1449 4th Edition	—	—	Yes	Yes
RoHS compliant	Yes	Yes	Yes	Yes
Filtering	No	No	No	No
EMI/RFI filtering attenuation at 100 kHz	N/A	N/A	N/A	N/A
L–G, L–N and N–G protection modes	Yes	Yes	Yes	Yes
Peak kA per phase/mode	20/6	46/20	80/40	56/24
UL nominal discharge current (I _n)	N/A	N/A	5 kA	N/A
UL voltage protection rating (VPR) L–G / L–N / N–G	N/A	N/A	500/500/500	N/A
MCOV	30	50	150	275
Short-circuit current rating (SCCR)	10 kA	10 kA	10 kA	10 kA
Alarm contacts	No	No	No	No
Standard warranty / registered warranty (years)	5/10	5/10	5/10	5/10
Communication line protection (UL 497A)	No	No	No	No

2

Maximum EMI/RFI Attenuation—MIL-STD-220

Model	10 kHz	100 kHz	1 MHz	10 MHz	100 MHz	Maximum Attenuation Frequency
AGPH120AG	30 dB	74 dB	76 dB	37 dB	36 dB	101 dB at 0.5 MHz
AGPV120AG	27 dB	56 dB	55 dB	36 dB	28 dB	66 dB at 0.085 MHz
AGCF12010-CP	16 dB	35 dB	62 dB	40 dB	50 dB	68 dB at 1.25 MHz
AGCF12010-DIN	16 dB	35 dB	56 dB	29 dB	51 dB	66 dB at 0.7 MHz
AGCF12010	17 dB	35 dB	64 dB	33 dB	51 dB	64 dB at 1.0 MHz
AGCF12030	24 dB	44 dB	58 dB	42 dB	53 dB	67 dB at 0.6 MHz
AGCF12060	20 dB	48 dB	53 dB	29 dB	46 dB	69 dB at 0.4 MHz

Let-Through Voltages Based on IEEE Std. C62.62-2010 Testing Waveforms ^①

Test Impulse	AEGIS Series							
	AGPH120AG	AGPV120AG	AGCF12010	AGCF12010-DIN	AGCF12010-CP	AGCF12030AGx	AGCF12060AGx	AGCN12030
IEEE Category A 100 kHz ring wave 6000 V, 200 A	25 V	30 V	150 V	300 V	300 V	150 V	90 V	400 V
IEEE Category B 100 kHz ring wave 6000 V, 500 A	35 V	40 V	330 V	400 V	400 V	330 V	230 V	500 V
IEEE Category B combination wave 6000 V, 3000 A (UL 1449-3 VPR)	360 V	370 V	470 V	480 V	460 V	460 V	450 V	460 V

Note

^① All tests conducted on 120 Vac units.

AEGIS DN Series



Contents

<i>Description</i>	<i>Page</i>
Introduction	V3-T2-2
Product Overview	V3-T2-5
SPD Series for Integration into Electrical Distribution Equipment	V3-T2-7
SPD Series for Mounting External to Electrical Distribution Equipment	V3-T2-11
SPD MAX Series Surge Protection	V3-T2-16
SPC Surge Protective Device	V3-T2-20
CVX050/100	V3-T2-24
SP1 Surge Protective Device	V3-T2-27
AEGIS Powerline Filters	V3-T2-29
AEGIS DN Series	
Standards and Certifications	V3-T2-35
Catalog Number Selection	V3-T2-35
Product Selection	V3-T2-35
Technical Data and Specifications	V3-T2-36
Sag Ride-Through (SRT2)	V3-T2-37
Power-Sure 700 (T700)	V3-T2-41
Power-Sure 800 (T800)	V3-T2-44
Power-Suppress 100 (T100)	V3-T2-48

AEGIS DN Series

Product Description

With a broad range of devices, the Eaton AEGIS series is helping original equipment manufacturers (OEMs) adopt best-in-class surge and line protection solutions. These solutions meet specific requirements in global commercial and industrial applications to support reliable operation and reduce maintenance costs due to damaged electrical equipment.

Eaton’s DIN rail surge protective device (SPD) is Open Type 1 SPD listed for DIN rail mounting applications and is available in both AC and DC voltages. The pluggable multi-pole SPD comes equipped with an optional remote contact (RC) connector for remote monitoring. The metal oxide varistor (MOV)-based protection modules feature up to 50 kA per phase of surge protection with a 20 kA nominal discharge current rating.

There is an increasing need and/or requirement of surge protection in today’s distribution systems. Studies have shown that the failure to protect sensitive electronic loads cost the American manufacturing, commercial and services industries more than \$39 billion per year in lost time and revenue. This underscores the need for facility-wide surge protection applied at all stages of the electrical distribution system, from the electrical service entrance down to critical single-phase loads.

Application Description

The AEGIS DN series provides DIN rail surge protection in a compact package. The AEGIS DN can be used where:

- Only surge and transient voltage protection is needed
- 120–600 Vac, 12/24/48 Vdc or 1000/1500 Vdc circuits are to be protected
- Replacement modules are specified

Features, Benefits and Functions

- Up to 50 kA per phase of surge protection
- 20 kA nominal discharge current rating
- Up to four protection modes (L1–N, L2–N, L3–N and N–G)
- Nominal voltages:
 - 120 Vac, 240 Vac, 277 Vac, 400 Vac, 480 Vac and 600 Vac
 - 12 Vdc, 24 Vdc and 48 Vdc
 - 1000 Vdc and 1500 Vdc photovoltaic units
- Red–green status indication flag
- Optional RC signaling
- Vibration and shock resistance withstand capabilities
- Thermal disconnect
- Replaceable modules

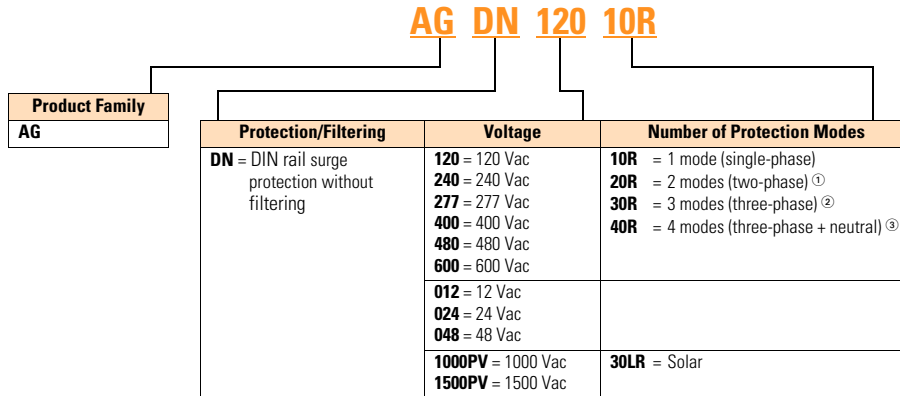
Standards and Certifications

- ANSI/UL 1449 5th Edition voltage protection ratings
- RoHS, REACH and Prop 65 compliant



Catalog Number Selection

AEGIS



Product Selection

Replacement modules for DN series

Voltage	Unit Application for Module	Catalog Number
120 V	AGDN12010R, AGDN12020R, AGDN12030R, AGDN12040R	AGDN120P
240 V	AGDN24010R, AGDN24020R, AGDN24030R, AGDN24040R	AGDN240P
277 V	AGDN27710R, AGDN27720R, AGDN27730R, AGDN27740R	AGDN277P
400 V	AGDN40010R, AGDN40020R, AGDN40030R, AGDN40040R	AGDN400P
480 V	AGDN48010R, AGDN48020R, AGDN48030R, AGDN48040R	AGDN480P
600 V	AGDN60010R, AGDN60020R, AGDN60030R	AGDN600P
500 V	AGDN1000PV30LR	AGDN500PVP
750 V	AGDN1500PV30LR	AGDN750PVP

Notes

- ① 20R typically used for split-phase.
- ② 30R used for split-phase plus neutral to ground protection.
- ③ 40R not available in 600 Vac versions.

Technical Data and Specifications

Ratings

Description	Rating
Application	Single-, split- or three-phase systems
Input voltage range—AC	120–600 Vac
Input voltage range—DC	12–48 Vdc, 1000–1500 Vdc
Amperage	N/A
Frequency	50/60 Hz
Protection modes	L–N, L–G and N–G
MCOV	Up to 1500 V
Peak surge current per phase / per mode	Up to 50 kA / 25 kA
Operating temperature	–40 °F to +185 °F (–40 °C to +85 °C)
Response time	<25 nanoseconds
Agency approvals	UL 1449 5th Edition, IEC 61643-11, EN 61643-11
UL 1449 Type	Type 1CA
Warranty ^①	1 year
Status indicator	Indication flag

AEGIS DN Specifications

Specifications	12 Vdc	24 Vdc	48 Vdc	120 Vac	240 Vac	277 Vac	400 Vac	480 Vac	600 Vac	1000 Vdc	1500 Vdc
DIN mounting	Yes	Yes	Yes	Yes	Yes	Yes	Yes	Yes	Yes	Yes	Yes
UL 1449 5th Edition	Yes	Yes	Yes	Yes	Yes	Yes	Yes	Yes	Yes	Yes	Yes
Filtering	No	No	No	No	No	No	No	No	No	No	No
L–G, L–N and N–G protection modes	Yes	Yes	Yes	Yes	Yes	Yes	Yes	Yes	Yes	N/A	N/A
Peak kA per phase	20 kA	20 kA	20 kA	50 kA	50 kA	50 kA	50 kA	50 kA	35 kA	40 kA	40 kA
UL nominal discharge current (I _n)	10 kA	10 kA	10 kA	20 kA	20 kA	20 kA	20 kA	20 kA	20 kA	20 kA	10 kA
UL voltage protection rating (VPR)	N/A	N/A	N/A	600 V	900 V	1000 V	1500 V	2000 V	2500 V	2500 V	4000 V
MCOV	15	28	52	150	300	350	480	550	750	1000	1500
Short-circuit current rating (SCCR)	N/A	N/A	N/A	200 kA	150 kA	200 kA	200 kA	200 kA	200 kA	50 kA	65 kA
Alarm contacts	No	No	No	Yes	Yes	Yes	Yes	Yes	Yes	Yes	Yes
Warranty (years)	1	1	1	1	1	1	1	1	1	1	1
Communication line protection (UL 497A)	No	No	No	No	No	No	No	No	No	No	No

Note

^① With product registration.

Sag Ride-Through (SRT2)



Contents

Description	Page
Introduction	V3-T2-2
Product Overview	V3-T2-5
SPD Series for Integration into Electrical Distribution Equipment	V3-T2-7
SPD Series for Mounting External to Electrical Distribution Equipment	V3-T2-11
SPD MAX Series Surge Protection	V3-T2-16
SPC Surge Protective Device	V3-T2-20
CVX050/100	V3-T2-24
SP1 Surge Protective Device	V3-T2-27
AEGIS Powerline Filters	V3-T2-29
AEGIS DN Series	V3-T2-34
Sag Ride-Through (SRT2)	
Application Description	V3-T2-38
Features, Benefits and Functions	V3-T2-38
Product Selection	V3-T2-39
Technical Data and Specifications	V3-T2-40
Power-Sure 700 (T700)	V3-T2-41
Power-Sure 800 (T800)	V3-T2-44
Power-Suppress 100 (T100)	V3-T2-48

Sag Ride-Through (SRT2)

Product Description

Eaton’s sag ride-through is the first of its kind.

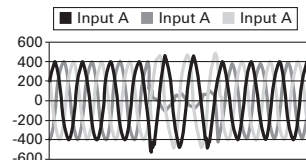
The SRT2 power conditioner prevents expensive electrical downtime. The SRT2 represents Eaton’s state-of-the-art solution to today’s power conditioning challenges.

The Problem—Voltage Sags and Brownouts

The ability of a plant to ride-through voltage sags can have a significant impact on operations and competitiveness. In the United States, voltage sags cost billions of dollars in lost production, interruption, damaged materials, retooling and scrap. In addition, sags can cause: increased operating costs, the need for product reworks, safety hazards, equipment damage and/or failure, reduced product quality, increased clean-up, additional labor costs, increased scrap material and costs associated with investigations into the problem.

Today’s industrial and large commercial electricity customers are becoming more sensitive to power disturbances and are demanding better electric quality. However, the quality of power grids is not significantly improving. Customers still experience power quality problems that affect plant operations and profitability.

Deep, Single-Phase Sag



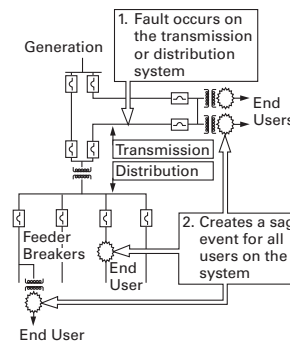
Definition of Voltage Sag

A voltage sag is a sudden, momentary decrease in supply voltage. It can last from a cycle to several seconds. Voltage sags are most often caused by faults on the electrical transmission or distribution system. They can be caused by lightning strikes, animal contact, starting of large motors or an internal fault within a customer’s facility.

Depending on the proximity to the fault, which can be hundreds of miles away, the voltage during the sag is typically 40%–90% of nominal utility voltage. The operation of circuit breakers, fuses and reclosers limits most sags to less than 15 cycles.

Voltage sags are experienced 10 to 20 times more frequently than complete outages. However, voltage sags are equally disruptive to sensitive equipment.

Voltage Sags

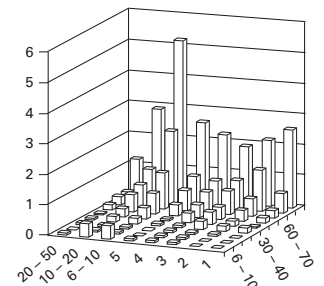


Regularity of Voltage Sags

EPRI conducted a two-year study of power quality levels on distribution systems in the United States. A variation event was recorded every time the voltage dropped below 90% of the nominal. The results are shown below.

A typical distribution system customer experiences about 50 events per year when the voltage drops below 90%, and only about two events per year when the voltage drops below 30% of nominal. The utility study concluded that sags represented almost all of the events experienced at a typical facility.

Events per Year



Application Description

Industries and Applications Affected by Sags

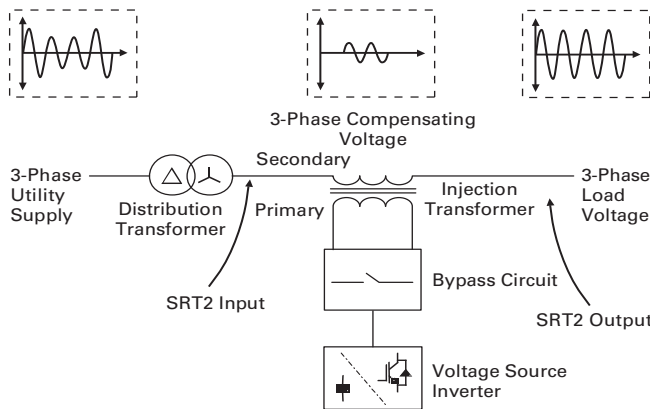
Key industries:

- Semi-conductor manufacturers
- Communications
- Steel mills
- Petroleum and chemical processing
- Health care
- Paper mills
- Automotives
- Textile
- Printing
- Plastics
- Other manufacturing

Equipment or processes:

- Manufacturing process controllers
- Variable speed drives
- Robotics
- Motor conductor
- Telephone systems
- HID lighting
- HVAC controls
- Medical equipment
- Computers

Block Diagram of the SRT2 Active Voltage Conditioner



Features, Benefits and Functions

Sag Correction Using the SRT2

The SRT2 is a high performance, inverter-based voltage conditioning device developed to provide protection to sensitive loads against commonly occurring voltage sags.

The SRT2 monitors the incoming supply voltage and when it deviates from the nominal voltage level, the SRT2 achieves voltage conditioning by injecting the appropriate correction voltage in series with the power supply. The SRT2 provides an extremely fast reaction time and subcycle response to sag events that would otherwise cause loads to drop out.

The SRT2 is designed for low voltage systems and is also offered in medium voltage applications from up to 50 MVA. Installation is simple and the SRT2 provides customers with a new solution to improve productivity and reduce downtime for sag related problems.

The SRT2 meets the stringent requirements of the Semi-F47 standard; a key requirement for SAG correction in the semi-conductor industry.

- Complete correction of single-phase voltage sags down to 63% for 30 seconds
- Partial correction of three-phase sags down to 50% for 30 seconds
- Correction of utility voltage unbalance (from network side of transformer)
- Attenuation of voltage flicker

Continuous Regulation

The Sag Ride-Through is an active voltage conditioner. This means it will constantly respond to voltage sags and swells in the $\pm 10\%$ range with a regulated output in the $\pm 1\%$ range. The SRT2 can be applied to the main service entrance, at branch locations or in front critical loads. The SRT2 provides an outstanding return on investment. It delivers operation productivity that is just not possible with traditional tap switching or ferroresonant technologies. The SRT2 consists of a voltage source inverter, bypass circuit and an injection transformer connected in series between the incoming utility supply and the load, as shown in the figure below.

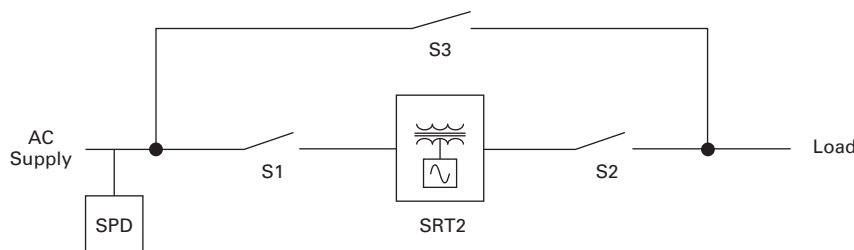
For the standard sag correcting model, the injection transformer consists of a boost component. The SRT2 monitors the incoming supply voltage and when it deviates from the nominal voltage level the SRT2 inserts an appropriate compensating voltage using the IGBT inverter and series injection transformer. Energy is sourced from the supply during this time. This regulates the load voltage to its nominal value, thus eliminating voltage disturbances from the utility supply affecting the load.

Product Selection

SRT2 ①

Load Capacity at Nominal Voltage 480 V (kVA) ②	Terminal Cabinet ③	Fault Capacity (kVA)	System Efficiency (%)	System Dissipation (Worst Case) (kW)	Airflow (m3/min)	Cabinet Dimensions H x W x D in Inches (mm)	Catalog Number ④
150	No	40	97.5	3.8	18	85.00 x 32.00 x 32.00 (2159.0 x 812.8 x 812.8)	SRT20150480AA
150	Yes	40	97.5	3.8	18	85.00 x 32.00 x 32.00 (2159.0 x 812.8 x 812.8)	SRT20150480AA-TC
225	No	40	97.7	5.2	18	85.00 x 32.00 x 32.00 (2159.0 x 812.8 x 812.8)	SRT20225480AA
225	Yes	40	97.7	5.2	18	85.00 x 32.00 x 32.00 (2159.0 x 812.8 x 812.8)	SRT20225480AA-TC
300	No	40	98.0	6.1	18	85.00 x 40.00 x 32.00 (2159.0 x 1016 x 812.8)	SRT20300480AA
300	Yes	40	98.0	6.1	18	85.00 x 40.00 x 32.00 (2159.0 x 1016 x 812.8)	SRT20300480AA-TC
450	No	40	98.2	8.0	36	85.00 x 40.00 x 32.00 (2159.0 x 1016 x 812.8)	SRT20450480AA
450	Yes	40	98.2	8.0	36	85.00 x 40.00 x 32.00 (2159.0 x 1016 x 812.8)	SRT20450480AA-TC
600	No	40	98.4	9.8	36	85.00 x 40.00 x 32.00 (2159.0 x 1016 x 812.8)	SRT20600480AA
600	Yes	40	98.4	9.8	36	85.00 x 40.00 x 32.00 (2159.0 x 1016 x 812.8)	SRT20600480AA-TC
750	No	40	98.4	12.2	54	85.00 x 96.00 x 48.00 (2159.0 x 2438.4 x 1219.2)	SRT20750480AA
750	Yes	40	98.4	12.2	54	85.00 x 96.00 x 48.00 (2159.0 x 2438.4 x 1219.2)	SRT20750480AA-TC
900	No	40	98.5	13.2	54	85.00 x 96.00 x 48.00 (2159.0 x 2438.4 x 1219.2)	SRT20900480AA
1200	No	40	98.5	18.1	72	85.00 x 126.00 x 96.00 (2159.0 x 3200.4 x 2438.4)	SRT21200480AA
1500	No	50	98.7	20.2	90	85.00 x 126.00 x 96.00 (2159.0 x 3200.4 x 2438.4)	SRT21500480AA
1800	No	50	98.8	22.1	108	85.00 x 126.00 x 96.00 (2159.0 x 3200.4 x 2438.4)	SRT21800480AA

SRT2 with External Maintenance Bypass Block Diagram



Note: A terminal cabinet may be needed if a bypass cabinet is not used. SRT2 units 900 kVA and larger do not require a terminal cabinet; however, an external three-breaker mechanical bypass with integrated surge protection is recommended.

Notes

- ① For 50 Hz international applications, consult factory.
- ② 480 V is standard. If additional voltage is needed, consult factory.
- ③ Eaton external three-breaker maintenance bypass cabinet is recommended. If a bypass is not used, a terminal cabinet may be required. Contact factory.
- ④ TC in the model number denotes terminal cabinet, which is not required for units of 900 kVA and larger.

Technical Data and Specifications

SRT2 Specifications

Features	Specifications
Load Capacity	
Capacity	150–1800 kVA (consult factory for custom design; up to 36 kVA available)
Displacement power factor of connected load	0 lagging to 0.9 leading
Crest factor for rated kVA	3 at 100% of rated load
Overload capacity (>90% supply voltage)	150%, 30 seconds, once per 500 s
Input Supply	
Nominal supply voltage (according to model)	480 V Voltages up to 36 kV available as custom applications ①
Power system type	Three-phase, center ground referenced
Supply voltage category	Level III transient voltage capability
Fault capacity	Refer to model tables
Operating Voltage Range for Regulation	
Supply voltage for regulation	90–110% of nominal input voltage unit rating
Output Supply	
Nominal voltage (V)	Set to match nominal supply voltage
Three-phase V regulation range	±10% continuous
Three-phase V regulation accuracy	±1%
Three-phase balanced sag/swell correction ability: 40% model	+40% / –10% at least 30 s at full load
Sag correction accuracy (within specified range)	±2.5%
Sag correction response:	
Initial	<250 μs
Complete	<0.25 cycle
Single-phase sag correction ability: 40% model (15% retained voltage / 85% sag)	90% nominal
Equivalent series impedance (operating)	<4% typical
Efficiency of system	0.98 to 0.99 (refer to model tables)
Bypass	
Capacity	100% model rating (kVA)
Maximum overload capacity (in bypass):	
For 10 minutes	125%
For 1 minute	150%
For 1 second	500%
For 200 milliseconds	2000%
Transfer time:	
Inverter to bypass	<0.5 ms
Equivalent series impedance (in bypass)	<2.5% typical
Interface	
Access protocol	Ethernet connectivity; Modbus [®] TCP, dry contacts
Environmental	
Enclosure rating	NEMA [®] 1, IP20
Pollution degree rating	2
Minimum operating temperature	0 °C
Maximum operating temperature	40 °C
Temperature derating	Above 40 °C derate at 2% per °C to a maximum of 50 °C
Capacity elevation derating	–2% every 100 m above 1000 m
Cooling:	
Inverter	Forced ventilation
Transformer	Fan assisted ventilation
Humidity	<95%, noncondensing
EMC emissions	CISPR 22 level G
Noise	65 dBA
Warranty	1 year

Note

① 480 V is standard. If additional voltage is needed, consult factory.

Power-Sure 700 (T700)



Power-Sure 700 (T700)

Product Description

Eaton's Power-Sure 700 (T700) is the ideal solution for keeping your facility and equipment up and running during brownouts, undervoltage conditions and other power problems. The Power-Sure 700 (T700) can significantly reduce the costs of equipment damage and downtime when these situations occur. The state-of-the-art design provides rapid response time, high efficiency, high inrush current capability, and operating advantages exclusive to Eaton.

The Power-Sure 700 (T700) maintains a tightly regulated output voltage by automatically activating the appropriate transformer tap through a silicone controlled rectifier (SCR). Tap changer response time is initiated at one cycle, ensuring rapid and precise regulation. Switching at zero current enables noise reduction during tap transitions.

Brownouts

In the United States, most facilities have sufficient voltage regulation. However, in some U.S. locations and many developing countries, regulation problems occur because of overstressed utility distribution systems.

In some cases, due to the excessive demand on the utility system, voltage may be below 10% of nominal (–10%) during the day. This condition is called a **voltage dip or brownout**. Customers may notice dim lights and reduced power. During the evening, voltage may rise above 10% of nominal (+10%) because large facilities and loads are shut down. This shutdown reduces the power demand on the grid and results in a voltage increase.

The IEEE defines voltage regulation as overvoltage or undervoltage. Voltage regulation events last from **a few minutes to many hours** with voltage varying by $\pm 20\%$. Long-term regulation problems differ from short duration sags and dips, which are much deeper voltage drops.

Contents

<i>Description</i>	<i>Page</i>
Introduction	V3-T2-2
Product Overview	V3-T2-5
SPD Series for Integration into Electrical Distribution Equipment	V3-T2-7
SPD Series for Mounting External to Electrical Distribution Equipment	V3-T2-11
SPD MAX Series Surge Protection	V3-T2-16
SPC Surge Protective Device	V3-T2-20
CVX050/100	V3-T2-24
SP1 Surge Protective Device	V3-T2-27
AEGIS Powerline Filters	V3-T2-29
AEGIS DN Series	V3-T2-34
Sag Ride-Through (SRT2)	V3-T2-37
Power-Sure 700 (T700)	
Catalog Number Selection	V3-T2-42
Technical Data and Specifications	V3-T2-43
Power-Sure 800 (T800)	V3-T2-44
Power-Suppress 100 (T100)	V3-T2-48

The Solution

Prior to installing an expensive solution, Eaton encourages customers to monitor incoming voltage to determine if voltage regulation is a problem. The local utility may also be able to provide information on voltage expected at the facility.

Using a meter, it can quickly be determined if a voltage regulation problem or brownout condition exists. The appropriate solution would be a Power-Sure 700 (T700). The Power-Sure 700 (T700) can be installed at the service entrance, branch panel or at critical loads.

Eaton's Power-Sure 700 (T700) is a solid-state tap changing power conditioner designed to protect against brownouts and long duration voltage regulation problems.

Features and Benefits

- Coordinated with standard thermal-magnetic breakers to allow motor starts
- Optional 50 kA or 100 kA per phase surge protection
- Input frequency range operation from 57–63 Hz
- Integral manual rotary maintenance bypass switch standard on 50 to 500 kVA units and optional on smaller units
- Not affected by load power factor. Can operate effectively in low-load applications due to “unique leakage reactance” technology
- Fail-safe bypass circuit, isolation transformer and overtemperature protection
- Less than 1% THD
- Optional Standard and Premium metering to monitor voltage, current, frequency, power, energy, PF with minimum and maximum, and communication capabilities

2.1

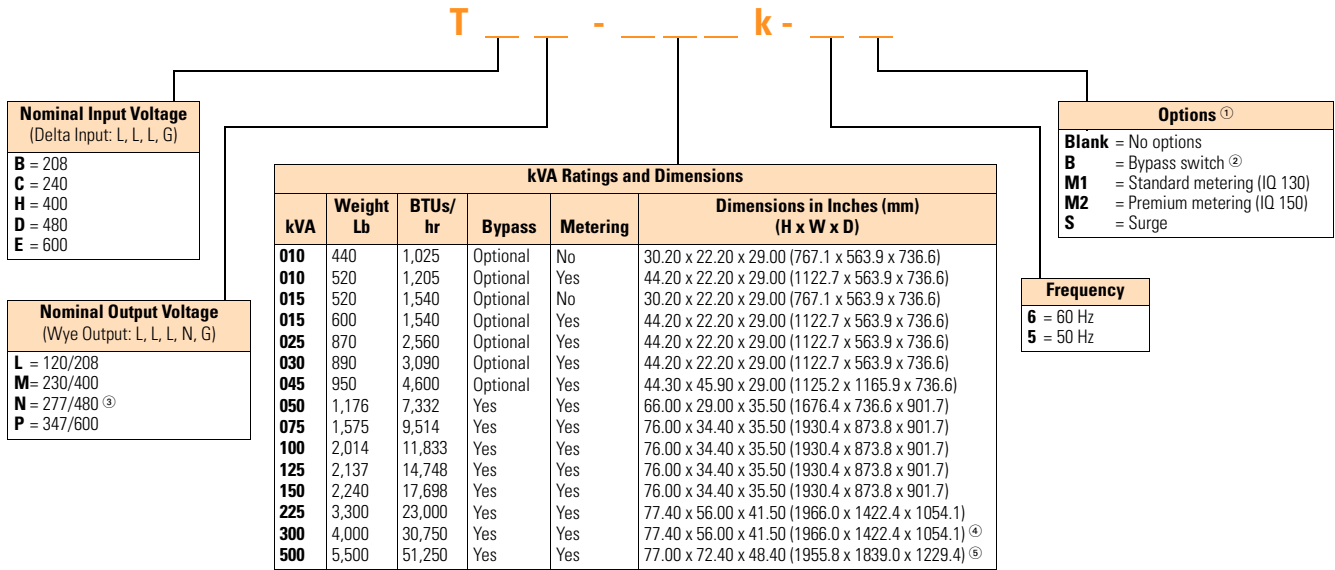
SPD, Power Conditioning, PF Capacitors and Harmonic Filters

Surge Protection and Power Conditioning

2

Catalog Number Selection

Power-Sure 700 (T700)



Notes

- ① Units with no surge protection option, bypass option or metering will have blanks in the last three spaces in the catalog number.
- ② Bypass is standard on 50 kVA and larger units and an option on 45 kVA and smaller units.
- ③ 10 kVA and 15 kVA units will have a height of 44 inches (1117.6 mm).
- ④ Only UL listed units with an input voltage of 480 V and an output voltage of 120/208 V or 277/480 V will consist of the following dimension. Use table below for the dimensions of an input voltage 208 V and output voltage of 120/208 V.
- ⑤ Only UL listed for an input voltage of 480 V and an output voltage of 277/480 V.

All weights are approximate. Monitor option includes main input circuit breaker. Refer to PAD for pricing and availability.

Listings—UL Listed, CSA Certified, except for 600 V; no UL, CSA on 600 V units.

For output distribution, call factory.

K factor—rated units available on request.

Dimensions for UL listed T700

Catalog number	kVA	Input Voltage	Output Voltage	Dimensions in Inches	Weight in Lb
TBL-300K-6	300	208	208/120	88.00 W x 50.75 D x 85.00 H	6,700

Dimensions for cUL listed T700, EP Configured

kVA	Dimensions in Inches	Weight in Lb
10	29.00 W x 24.00 D x 59.00 H	610
15	29.00 W x 24.00 D x 59.00 H	690
25	29.00 W x 24.00 D x 59.00 H	870
30	29.00 W x 24.00 D x 59.00 H	890
50	29.00 W x 36.00 D x 66.00 H	1,176
75	34.50 W x 36.00 D x 76.00 H	1,575
100	34.50 W x 36.00 D x 76.00 H	2,014
125	34.50 W x 36.00 D x 76.00 H	2,137
150	34.50 W x 36.00 D x 76.00 H	2,240

Technical Data and Specifications**Power-Sure 700 (T700) Specification (10 to 500 kVA)**

Feature	Description
Technology	Electronic tap changer
Input voltages	208–600 V, three-phase (three-wire)
Input voltage range	+10% to –23% of nominal rated input
Output voltage	±3% of nominal
Response time	1/2 cycle
Frequency	60 Hz, ±3%
Efficiency	97% typical
Line regulation	Output is ±3% of nominal for input variations of +10% to –23% of nominal
Load regulation	Output is maintained within 3% of nominal from no load to full load
Correction time	Output will be corrected to within ±3% of nominal in 1.5 cycles or less
Harmonic distortion	Less than 1.0% added to the output waveform under any dynamic linear loading conditions presented to the line regulator
Noise attenuation	
Common mode	146 dB
Normal mode	3 dB down at 1000 Hz, 40 dB/decade to below 50 dB with resistive load
Turn-on characteristics	When energized, voltage overshoot will be less than 5% of nominal for 1 cycle or less
Overload rating	1000% for 1 cycle and 200% for 10 seconds
Ambient rating	–10 ° to 40 °C
Monitoring	Three green LEDs (phase power on indication), one red LED (alert indication)
Surge protection (optional)	CVX 50 kA SPD device 50 kVA and below, CVX 100 kA SPD device 75 kVA and above
Input breaker	MCCB rated 125% of full rated current
Bypass switch	Normal and bypass selector
Metering (optional)	Standard metering (IQ 130)—voltage and current with minimum and maximum Premium metering (IQ 150)—voltage, current, frequency, power, energy, PF, with minimum and maximum, communications capabilities
Warranty	1-year parts

Power-Sure 800

2



Superior Power Conditioning for Industrial and Commercial

Contents

Description	Page
Introduction	
Product Overview	V3-T2-5
SPD Series for Integration into Electrical Distribution Equipment	V3-T2-7
SPD Series for Mounting External to Electrical Distribution Equipment	V3-T2-11
SPD MAX Series Surge Protection	V3-T2-16
SPC Surge Protective Device	V3-T2-20
CVX050/100	V3-T2-24
SP1 Surge Protective Device	V3-T2-27
AEGIS Powerline Filters	V3-T2-29
AEGIS DN Series	V3-T2-34
Sag Ride-Through (SRT2)	V3-T2-37
Power-Sure 700 (T700)	V3-T2-41
Power-Sure 800 (T800)	
Catalog Number Selection	V3-T2-45
Product Selection	V3-T2-46
Technical Data and Specifications	V3-T2-47
Dimensions	V3-T2-47
Power-Suppress 100 (T100)	V3-T2-48

Power-Sure 800 (T800)

Product Description

Eaton's Power-Sure 800 (T800)[™] cleans up and purifies fluctuating and erratic power that exists in commercial and industrial facilities so that sensitive electronic equipment is not affected.

The Power-Sure 800 (T800) is a self-regulating isolation transformer. It was developed to protect against fluctuating voltages, brownouts, line noise, short-duration power outages, sags, surges, spikes and transients. The Power-Sure 800 also has one of the highest K-factors—K-30—and eliminates harmonic current in the power line, which helps prevent damage to building wiring.

Application Description

The Power-Sure 800 (T800) is ideal for use in industrial applications, such as computer programmable controllers and robotics. Use the Power-Sure 800 (T800) whenever continuous, well-regulated, transient-free power is required.

Features

- Superior isolation
- Tight voltage regulation
- High immunity to distortion
- Lightning and surge protection
- Protection against power interruptions
- Power factor correction
- Bi-directional harmonic filtering
- K-30 rated design
- Warranty: two years

Eaton's Power-Sure 800 (T800) power conditioners provide high-quality power with inherent surge protection, noise and bi-directional harmonic filtering, as well as superior isolation. These units range from office models to floor- or wall-/panel-mounted industrial models and provide an excellent solution for any application with noisy or poor power quality.

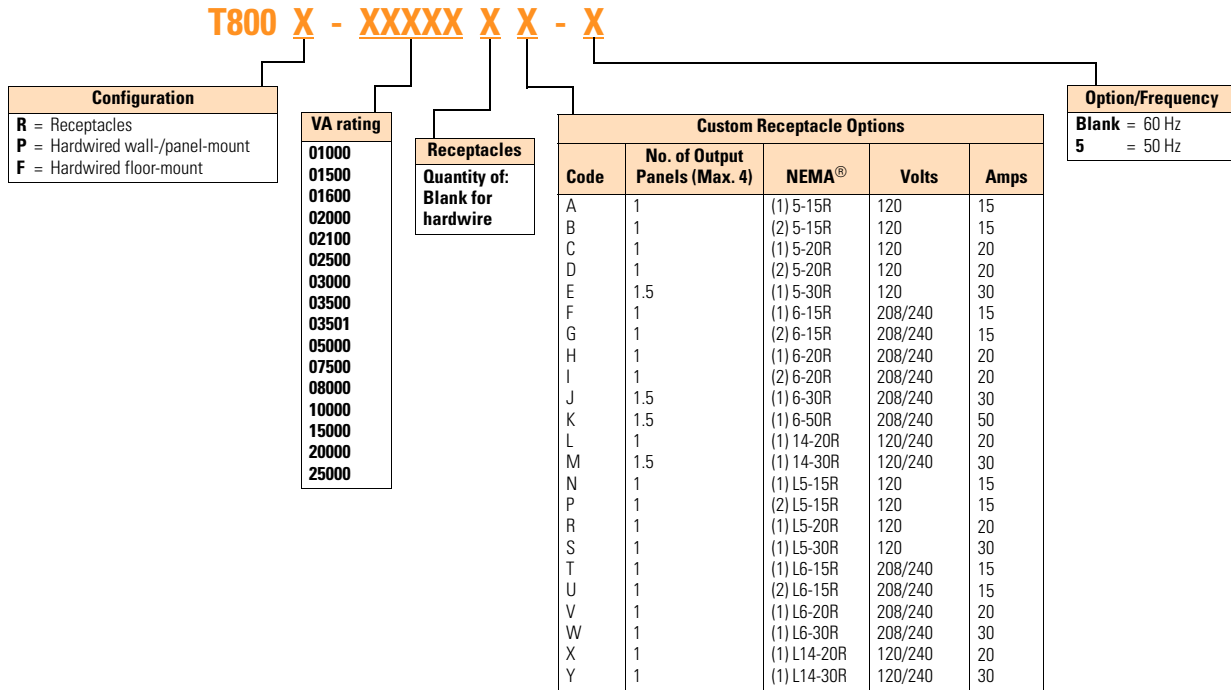
Standards and Certifications

- UL 1012, UL 544 and cUL listed
- Meets ANSI standards for computers with inputs as low as 50% of nominal



Catalog Number Selection

Power-Sure 800



2.1

SPD, Power Conditioning, PF Capacitors and Harmonic Filters

Surge Protection and Power Conditioning

Product Selection

2

Power-Sure 800 Models

Rating (VA/Watts)	Input Voltage	Output Voltage	Input Interface	Output Interface	Part Number
Office Models (with Receptacles)					
1000/700	120	120	5-15P	(4) 5-20R	T800R-01000
1600/1200	120	120	5-15P	(4) 5-20R	T800R-01600
2100/1500	120	120	5-20P	(4) 5-20R	T800R-02100
2500/1750	120	120	5-30P	(4) 5-20R	T800R-02500
3500/2450	120	120/240	5-50P	(4) 5-20R	T800R-03500
3500/2450	208/240	120/240	6-20P	(4) 5-20R	T800R-03501
5000/3500	208/240	120/240	Hardwired	Custom ①	T800R-05000
7500/5250	208/240	120/240	Hardwired	Custom ①	T800R-07500
10,000/7000	208/240	120/240	Hardwired	Custom ①	T800R-10000
15,000/10,500	208/240	120/240	Hardwired	Custom ①	T800R-15000
Industrial Models (Hardwired Wall-/Panel-Mount)					
500/500	Range 1 ②④	Range 3 ⑤	Hardwired	Hardwired	T800P-00500
750/750	Range 1 ②④	Range 3 ⑤	Hardwired	Hardwired	T800P-00750
1000/1000	Range 1 ②④	Range 3 ⑤	Hardwired	Hardwired	T800P-01000
1500/1500	Range 1 ②④	Range 3 ⑤	Hardwired	Hardwired	T800P-01500
2000/2000	Range 1 ②④	Range 3 ⑤	Hardwired	Hardwired	T800P-02000
3000/3000	Range 1 ②④	Range 3 ⑤	Hardwired	Hardwired	T800P-03000
5000/5000	Range 1 ②④	Range 3 ⑤	Hardwired	Hardwired	T800P-05000
8000/8000	Range 2 ③④	Range 3 ⑤	Hardwired	Hardwired	T800P-08000
10,000/10,000	Range 2 ③④	Range 3 ⑤	Hardwired	Hardwired	T800P-10000
Industrial Models (Hardwired Floor-Mount)					
5000/5000	Range 1 ②④	Range 3 ⑤	Hardwired	Hardwired	T800F-05000
8000/8000	Range 2 ③④	Range 3 ⑤	Hardwired	Hardwired	T800F-08000
10,000/10,000	Range 2 ③④	Range 3 ⑤	Hardwired	Hardwired	T800F-10000
15,000/15,000	Range 2 ③④	Range 3 ⑤	Hardwired	Hardwired	T800F-15000
20,000/20,000	Range 2 ③④	Range 3 ⑤	Hardwired	Hardwired	T800F-20000
25,000/25,000	Range 2 ③④	Range 3 ⑤	Hardwired	Hardwired	T800F-25000

Notes

① See Catalog Numbering Selection on **Page V3-T2-45**, 5 panels available for distribution; HW output utilizes 1 panel, other 4 panels can be used for receptacle interface or cabling.

② Range 1: 120/208/240/480.

③ Range 2: 208/240/480.

④ Input and output voltage is field configurable; units will ship from the factory configured as follows: Range 1—120 V (input/output); Range 2—240 V (input/output).

⑤ Range 3: 120/208/240.

Technical Data and Specifications

- Line regulation: ±3% V-out for +10% to -20% V-in at 100% load
- Load regulation: ±3% for 0–75% load ±2% for 100% load
- Immunity to distortion: at 40% THD V-in, 5% max. THD V-out at 50% load or higher
- Ride-through capability: 1 cycle
- Voltage recovery: 2 cycles to 95%, 3 cycles to 100%
- K-factor: K-30 rated
- Power factor correction: input of 0.95 typical
- Harmonic attenuation: -23 dB for load-reflected harmonics
- Galvanic isolation: NEC 250.5d, 0.001 PF
- Surge protection: 330 V let-through voltage when tested to ANSI/IEEE® 62.41-Cat B3
- Common mode noise attenuation: 140 dB
- Transverse mode noise attenuation: 120 dB
- Reliability: 200,000 hours (MTBF)
- Audible noise: 52–56 dB measured at 1 meter, A scale
- Efficiency: approximately 92% at full load
- Operating temperature: -20 °C to +40 °C

Dimensions

Approximate Dimensions in Inches (mm)

Power-Sure 800 Models

Dimensions, W x D x H	Weight, Lb (kg)	Part Number
Office Models (with Receptacles)		
8.50 x 12.75 x 17.50 (215.9 x 323.9 x 444.5)	46 (21)	T800R-01000
8.50 x 12.75 x 17.50 (215.9 x 323.9 x 444.5)	62 (28)	T800R-01600
8.50 x 12.75 x 17.50 (215.9 x 323.9 x 444.5)	65 (29)	T800R-02100
8.50 x 12.75 x 17.50 (215.9 x 323.9 x 444.5)	68 (31)	T800R-02500
8.50 x 12.75 x 17.50 (215.9 x 323.9 x 444.5)	72 (33)	T800R-03500
8.50 x 12.75 x 17.50 (215.9 x 323.9 x 444.5)	73 (33)	T800R-03501
15.00 x 23.75 x 22.50 (381.0 x 603.3 x 571.5)	176 (80)	T800R-05000
15.00 x 23.75 x 22.50 (381.0 x 603.3 x 571.5)	210 (95)	T800R-07500
15.00 x 23.75 x 22.50 (381.0 x 603.3 x 571.5)	256 (116)	T800R-10000
15.00 x 23.75 x 22.50 (381.0 x 603.3 x 571.5)	314 (142)	T800R-15000
Industrial Models (Hardwired Wall-/Panel-Mount)		
9.00 x 14.00 x 10.00 (228.6 x 355.6 x 254.0)	52 (24)	T800P-00500
9.00 x 14.00 x 10.00 (228.6 x 355.6 x 254.0)	60 (27)	T800P-00750
9.00 x 14.00 x 10.00 (228.6 x 355.6 x 254.0)	82 (37)	T800P-01000
13.00 x 16.50 x 14.75 (330.2 x 419.1 x 374.7)	106 (48)	T800P-01500
13.00 x 16.50 x 14.75 (330.2 x 419.1 x 374.7)	125 (57)	T800P-02000
13.00 x 16.50 x 14.75 (330.2 x 419.1 x 374.7)	157 (71)	T800P-03000
27.00 x 22.50 x 28.50 (685.8 x 571.5 x 723.9)	437 (198)	T800P-05000
27.00 x 22.50 x 28.50 (685.8 x 571.5 x 723.9)	495 (225)	T800P-08000
27.00 x 22.50 x 28.50 (685.8 x 571.5 x 723.9)	537 (244)	T800P-10000
Industrial Models (Hardwired Floor-Mount)		
23.00 x 20.00 x 28.50 (584.2 x 508.0 x 723.9)	407 (185)	T800F-05000
23.00 x 20.00 x 28.50 (584.2 x 508.0 x 723.9)	465 (211)	T800F-08000
23.00 x 20.00 x 28.50 (584.2 x 508.0 x 723.9)	507 (230)	T800F-10000
35.00 x 25.00 x 39.50 (889.0 x 635.0 x 1003.3)	830 (376)	T800F-15000
35.00 x 25.00 x 39.50 (889.0 x 635.0 x 1003.3)	950 (431)	T800F-20000
35.00 x 25.00 x 39.50 (889.0 x 635.0 x 1003.3)	1070 (485)	T800F-25000



Eaton Power-Suppress 100

2



Ultra-Isolator Noise Suppressor and Isolation Provider

Contents

<i>Description</i>	<i>Page</i>
Introduction	
Product Overview	V3-T2-5
SPD Series for Integration into Electrical Distribution Equipment	V3-T2-7
SPD Series for Mounting External to Electrical Distribution Equipment	V3-T2-11
SPD MAX Series Surge Protection	V3-T2-16
SPC Surge Protective Device	V3-T2-20
CVX050/100	V3-T2-24
SP1 Surge Protective Device	V3-T2-27
AEGIS Powerline Filters	V3-T2-29
AEGIS DN Series	V3-T2-34
Sag Ride-Through (SRT2)	V3-T2-37
Power-Sure 700 (T700)	V3-T2-41
Power-Sure 800 (T800)	V3-T2-44
Power-Suppress 100 (T100)	
Standards and Certifications	V3-T2-49
Catalog Number Selection	V3-T2-49
Product Selection	V3-T2-49
Technical Data and Specifications	V3-T2-50
Technical Data and Specifications	V3-T2-50

Power-Suppress 100 (T100)

Product Description

Eaton's Power-Suppress™ 100 ultra-isolator noise suppressors protect sensitive equipment from electrical noise disturbances. Using exclusive double shielding techniques, the Power-Suppress 100 blocks all forms of electrical noise including radio frequency interference (RFI)/ electromagnetic interference (EMI), over a broad range of frequencies. Furthermore, the noise suppression is achieved without impeding normal power flow.

Power-Suppress 100 ultra-isolator noise suppressors can reduce a 6000-volt spike to an insignificant 0.0030 volt. These high-voltage transients contain enough energy to completely destroy the electrical circuit components that are vital to daily operation.

Application Description

Applications for the Power-Suppress 100 include audio and video equipment, computer and process equipment, telecommunications systems, and virtually any sensitive electronic instruments.

Features

- Traps unwanted harmonics
- Removes surge voltages and minimizes reflected THD
- Cleans and conditions the sine wave
- Eliminates load-generated feedback
- Available in both hardwired or line cord/receptacle models
- Fast and easy installation
- Long-life operation
- Small footprint—saves valuable space
- Two-year warranty complete unit, five-year warranty core and coil

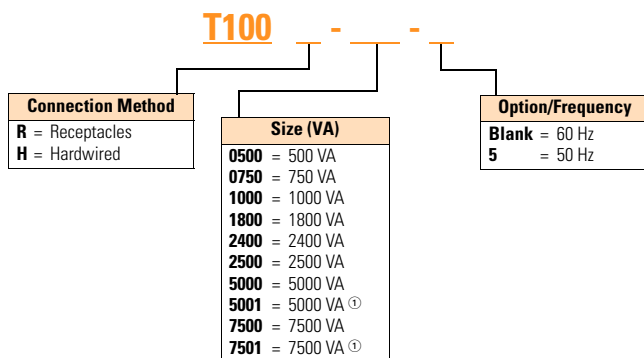
Standards and Certifications

- UL 1012, UL 1449, cUL listed, ANSI/IEEE C57.12.91
- Meets FCC Category A, IEEE C62.41 Category A3



Catalog Number Selection

Power-Suppress 100



Product Selection

Power-Suppress 100 Models

Input Voltages ②	Output Voltages ②	Output VA ③	I/O Interfaces (NEMA)	Catalog Number
Line-Cord/Receptacle Models				
120	120	500	5-15P(1) 5-20R2	T100R-0500
120	120	750	5-15P(1) 5-20R2	T100R-0750
120	120	1000	5-15P(1) 5-20R2	T100R-1000
120	120	1800	L5-20P(2) 5-20R2	T100R-1800
120	120	2400	L5-30P(2) 5-20R2	T100R-2400
Terminal Style Models				
120/240	120/240	500	Hardwired	T100H-0500
120/240	120/240	750	Hardwired	T100H-0750
120/240	120/240	1000	Hardwired	T100H-1000
120/240	120/240	1800	Hardwired	T100H-1800
120/240	120/240	2500	Hardwired	T100H-2500
120/240	120/240	5000	Hardwired	T100H-5000
240/480	120/240	5000	Hardwired	T100H-5001 ①
120/240	120/240	7500	Hardwired	T100H-7500
240/480	120/240	7500	Hardwired	T100H-7501 ①

Notes

- ① Models T100H-5001 and T100H-7501 will ship configured to 240 V input and output voltage.
- ② Input and output voltages can be field configured for either 120 Vac or 240 Vac, 240 Vac or 480 Vac, as indicated above.
- ③ 500 VA to 7500 VA hardwired models will ship configured to 120 V input and output voltage.

Technical Data and Specifications

Technical Specifications

Description	Specifications
Input voltage/frequency	120, 240, 480 V $\text{\textcircled{C}}$ /60 Hz
Common-mode noise	140 dB at 100 kHz
Normal-mode noise	65 dB at 100 kHz
Overload capacity	600% for 1 cycle, 300% for 30 seconds
Dielectric strength	2,500 Vac minimum
Frequency	60 Hz \pm 5%
Impedance	3–6% typical
Efficiency	93–97% typical
Input voltage range	\pm 10% of nominal rated voltage
Harmonic distortion	Adds less than 1% THD, under linear loading
Coil insulation	200 °C
Temperature rise	115 °C max rise above a 40 °C ambient, depending on model
Electromagnetic interference	<0.2 gauss at 36 inches

Environments

Description	Specifications
Audible noise	Less than 50 dBA measured at 3 ft from the noise suppressor
Operating temperature	0 to 40 °C
Storage temperature	–20 to 50 °C
Operating altitude	Up to 12,000 ft (3657.6 m) (without derating)
Operating humidity	95% relative (noncondensing)

Plug and Receptacle Configuration Models

Rating	Input Plug	Output Receptacle
500–1000 VA	5-15P	5-20R duplex
1.8 kVA	L5-20P	2 x 5-20R duplex
2.4 kVA	L5-30P	2 x 5-20R duplex

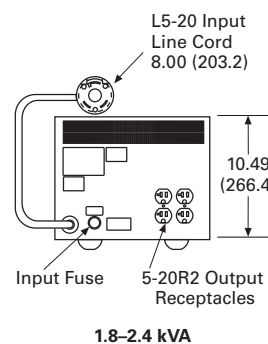
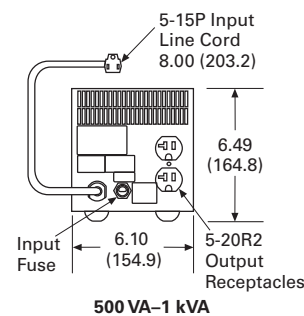
Dimensions

Approximate Dimensions in Inches (mm)

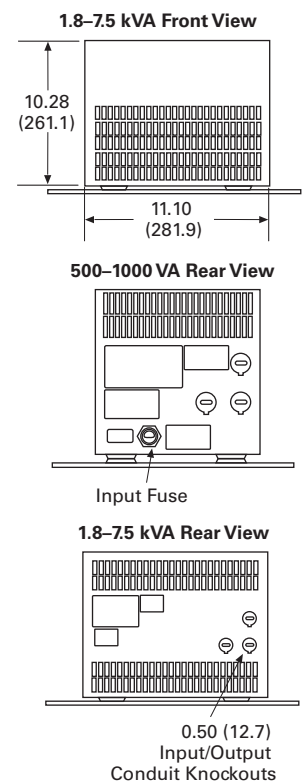
Power-Suppress 100 Models

Dimensions, W x D x H	Weight, Lb (kg)	Catalog Number
Line-Cord/Receptacle Models		
6.49 x 6.10 x 12.00 (164.8 x 154.9 x 304.8)	22 (10)	T100R-0500
6.49 x 6.10 x 12.00 (164.8 x 154.9 x 304.8)	28 (13)	T100R-0750
6.49 x 6.10 x 12.00 (164.8 x 154.9 x 304.8)	31 (14)	T100R-1000
10.49 x 11.10 x 17.00 (266.4 x 281.9 x 431.8)	54 (24)	T100R-1800
10.49 x 11.10 x 17.00 (266.4 x 281.9 x 431.8)	58 (26)	T100R-2400
Terminal Style Models		
6.42 x 6.10 x 12.00 (163.1 x 154.9 x 304.8)	22 (10)	T100H-0500
6.42 x 6.10 x 12.00 (163.1 x 154.9 x 304.8)	28 (13)	T100H-0750
6.42 x 6.10 x 12.00 (163.1 x 154.9 x 304.8)	31 (14)	T100H-1000
10.28 x 11.10 x 17.00 (261.1 x 281.9 x 431.8)	54 (24)	T100H-1800
10.28 x 11.10 x 17.00 (261.1 x 281.9 x 431.8)	58 (26)	T100H-2500
10.28 x 11.10 x 17.00 (261.1 x 281.9 x 431.8)	86 (39)	T100H-5000
10.49 x 11.10 x 17.00 (266.4 x 281.9 x 431.8)	92 (42)	T100H-5001
10.28 x 11.10 x 17.00 (261.1 x 281.9 x 431.8)	116 (53)	T100H-7500
10.28 x 11.10 x 17.00 (261.1 x 281.9 x 431.8)	111 (50)	T100H-7501

Line-Cord Style



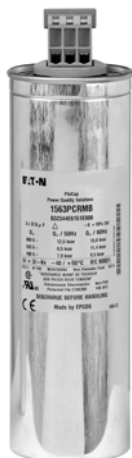
Terminal Style



Note

① 480 V available for 5 and 7.5 kVA models only.

Capacitor Cell with Cage Clamp Terminals



Contents

<i>Description</i>	<i>Page</i>
Product Overview	
Product Selection	V3-T2-52
Dimensions	V3-T2-52
UNIPUMP	V3-T2-53
UNIPAK	V3-T2-56
AUTOVAR 300 Automatic Power Factor Correction Capacitor Systems	V3-T2-65
AUTOVAR 600 Automatic Power Factor Correction Capacitor Systems	V3-T2-69
AUTOVAR Filter—LV Automatic Detuned Filter	V3-T2-76
Transient-Free Static Switching Power Factor Correction Units	V3-T2-83
HCU2 Harmonic Correction Unit	V3-T2-85
HCUh Harmonic Correction Unit	V3-T2-89

Product Overview

Product Description

Eaton’s power factor correction capacitors and harmonic filters are an essential part of modern electric power systems. Power factor correction capacitors are the simplest and most economical means of increasing the capacity of any power system, minimizing energy losses and correcting load power factor. In addition, power factor penalties can be reduced and power quality can be greatly enhanced.

There are several reasons to correct poor power factor. The first is to reduce or eliminate a power factor penalty charged by the utility. Another reason is that your existing transformer is, or shortly will be, at full capacity and installing power factor correction capacitors can be a very cost-effective solution to installing a brand new service. Depending on the amount of power factor correction (kvar that needs to be injected into the electrical system to improve the power factor) and the dynamic nature of the load, a fixed or switched capacitor bank may be the best solution.

When capacity becomes a problem, the choice of a solution will be dependent upon the size of the increase needed. Like all power quality solutions, there are many factors that need to be considered when determining which solution will be best to solve your power factor problem.

Harmonic Filtering

As the world becomes more dependent on electric and electronic equipment, the likelihood that the negative impact of harmonic distortion increases dramatically. The efficiency and productivity gains from these increasingly sophisticated pieces of equipment have a negative side effect...increased harmonic distortion in the power lines. The difficult thing about harmonic distortion is determining the cause. Once this has been determined, the solution can be easy. Active harmonic filtering equipment will mitigate specific harmonic issues, and correct poor power factor as well.

Product Selection

2

Capacitor Cell Chart

Dimensions in Inches (mm)					
Voltage	kvar ^①	D	H	Weight in Lb (kg)	Catalog Number
240	1.5	3.1 (79.5)	7.9 (200.0)	1.1 (0.5)	643PCRMB
240	2	3.1 (79.5)	9.4 (238.0)	1.3 (0.6)	8B43PCRMB
240	2.5	3.1 (79.5)	9.4 (238.0)	1.3 (0.6)	1043PCRMB
240	3	3.5 (89.5)	9.4 (238.0)	1.8 (0.8)	12X43PCRMB
240	4	3.1 (79.5)	7.9 (200.0)	1.1 (0.5)	423PCRMB
240	5	3.5 (89.5)	12.3 (313.0)	2.6 (1.2)	2043PCRMB
240	6.3	3.1 (79.5)	9.4 (238.0)	1.3 (0.6)	6B23PCRMB
240	7.5	3.1 (79.5)	9.4 (238.0)	1.3 (0.6)	7X23PCRMB
240	8.3	3.5 (89.5)	9.4 (238.0)	3.3 (1.5)	8B23PCRMB
240	10	3.5 (89.5)	9.4 (238.0)	2.0 (0.9)	1023PCRMB
240	12.5	3.5 (89.5)	12.3 (313.0)	2.6 (1.2)	12X23PCRMB
240	15	3.5 (89.5)	12.3 (313.0)	2.6 (1.2)	1523PCRMB
480	1.5	2.1 (53.0)	5.0 (125.8)	0.7 (0.3)	1X43PCRMA
480	2	2.5 (63.5)	5.5 (140.8)	0.9 (0.4)	243PCRMA
480	2.5	2.5 (63.5)	5.5 (140.8)	0.9 (0.4)	2X43PCRMA
480	3	2.5 (63.5)	5.5 (140.8)	0.9 (0.4)	343PCRMA
480	4	2.5 (63.5)	6.5 (165.8)	0.9 (0.4)	443PCRMA
480	5	2.5 (63.5)	6.5 (165.8)	0.9 (0.4)	543PCRMA
480	6	3.1 (79.5)	7.9 (200.0)	1.1 (0.5)	643PCRMB
480	7.5	3.1 (79.5)	7.9 (200.0)	1.1 (0.5)	7X43PCRMB
480	8.3	3.1 (79.5)	9.4 (238.0)	1.3 (0.6)	8B43PCRMB
480	9	3.1 (79.5)	9.4 (238.0)	1.3 (0.6)	943PCRMB
480	10	3.1 (79.5)	9.4 (238.0)	1.3 (0.6)	1043PCRMB
480	12.5	3.5 (89.5)	9.4 (238.0)	1.8 (0.8)	12X43PCRMB
480	15	3.5 (89.5)	9.4 (238.0)	1.8 (0.8)	1543PCRMB
480	18	3.5 (89.5)	12.3 (313.0)	2.6 (1.2)	1843PCRMB
480	20	3.5 (89.5)	12.3 (313.0)	2.6 (1.2)	2043PCRMB
480	25	3.5 (89.5)	12.3 (313.0)	2.6 (1.2)	2543PCRMB
600	5	3.1 (79.5)	9.4 (238.0)	1.3 (0.6)	563PCRMB
600	7.5	3.1 (79.5)	9.4 (238.0)	1.3 (0.6)	7X63PCRMB
600	10	3.1 (79.5)	9.4 (238.0)	1.3 (0.6)	1063PCRMB
600	12.5	3.5 (89.5)	9.4 (238.0)	1.8 (0.8)	12X63PCRMB
600	15	3.5 (89.5)	12.3 (313.0)	2.6 (1.2)	1563PCRMB
600	17.5	3.5 (89.5)	12.3 (313.0)	2.6 (1.2)	17X63PCRMB
600	20	3.5 (89.5)	12.3 (313.0)	3.3 (1.5)	2063PCRMB
600	25	3.5 (89.5)	15.3 (388.0)	3.3 (1.5)	2563PCRMB

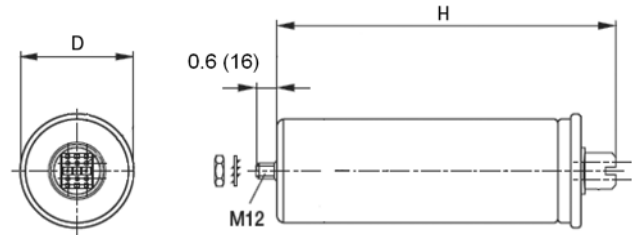
Heavy-Duty Capacitor Cell Chart

Dimensions in Inches (mm)						
Name-plate Voltage	kvar	D	H	Internal Voltage Rating	Weight in Lb (kg)	Catalog Number
240	12.5	3.5 (89.5)	15.3 (388.0)	360	3.3 (1.5)	12X23PHRMB
480	15.0	3.5 (89.5)	12.3 (313.0)	525	2.6 (1.2)	1543PHRMB
480	16.7	3.5 (89.5)	15.3 (388.0)	600	3.3 (1.5)	16S43PHRMB
480	20.0	3.5 (89.5)	15.3 (388.0)	525	3.3 (1.5)	2043PHRMB
480	25.0	3.5 (89.5)	15.3 (388.0)	525	3.3 (1.5)	2543PHRMB
600	12.3	3.5 (89.5)	12.3 (313.0)	660	2.6 (1.2)	12A63PHRMB
600	14.7	3.5 (89.5)	15.3 (388.0)	660	3.3 (1.5)	14S63PHRMB
600	16.7	3.5 (89.5)	15.3 (388.0)	660	3.3 (1.5)	16S63PHRMB

Dimensions

Approximate Dimensions in Inches (mm)

Capacitor Cell



Note

- ① kvar rating standard. Standard kvar tolerance is 0% to +5%. Part number shown is for three-phase units. Up to 5 kvar at 480 V—quick disconnect terminals are standard. Above 5 kvar at 480 V (and on all other voltages)—cage clamp terminals are standard.

UNIPUMP



Contents

<i>Description</i>	<i>Page</i>
Product Overview	V3-T2-51
UNIPUMP	
Product Selection	V3-T2-54
Dimensions	V3-T2-55
UNIPAK	V3-T2-56
AUTOVAR 300 Automatic Power Factor Correction Capacitor Systems	V3-T2-65
AUTOVAR 600 Automatic Power Factor Correction Capacitor Systems	V3-T2-69
AUTOVAR Filter—LV Automatic Detuned Filter	V3-T2-76
Transient-Free Static Switching Power Factor Correction Units	V3-T2-83
HCU2 Harmonic Correction Unit	V3-T2-85
HCU _n Harmonic Correction Unit	V3-T2-89

UNIPUMP

Product Description

Non-fused capacitors for outdoor irrigation and oil field installations.

- Designed expressly for outdoor pumping applications
- Pole or wall mounting
- Small, light-weight enclosure for easy installation
- SO-WA type flexible cable facilitates installation (4-conductor)
- Gland-type weatherproof bushings
- Strong outer case

Application Description

Outdoor irrigation and oil and gas field pumping.

Features, Benefits and Functions

Configuration

- **Outer case:** Heavy, No. 14 gauge steel finished with durable powder coat finish. Integral strap mounting bracket with keyhole at top for pole or wall installation. No knockouts

Capacitor Cells

- **Terminals:** Insulated finger-safe terminals rated for 3 kVAC withstand
- **Dielectric fill:** Dry-type cells use soft organic polymer resin—Resinol
- Eliminates potential for corona/partial discharge/electrochemical oxidation
- Excellent heat dissipation
- Flash point: +444 °F (+229 °C)
- Fire point: +840 °F (+449 °C)

- **Design:** Self-healing metallized high crystalline polypropylene with ramp metallization film. Total losses less than 0.45 watt per kvar. (Dielectric losses less than 0.2 watt per kvar)
- **Ramp metallization:** Provides thicker film at higher current density areas, allowing for reduced internal losses, lower operating temperatures and longer life expectancy. Also prevents chain reaction breakdown by limiting propagation of film vaporization
- **Pressure sensitive interrupter:** Built-in, three-phase pop-up interrupter design. UL recognized. Removes capacitor from line before internal pressure can cause case rupture. Bulged capacitor cell top provides easy visual indication of interrupter operation
- **Ceramic discharge resistors:** Reduce residual voltage to less than 50 volts within one minute of de-energization. Selected for 20-year nominal life. Exceeds NEC requirements
- **Capacitor operating temperature:** -40 °F (-40 °C) to +115 °F (+46 °C)
- **Case:** Weatherproof aluminum housing
- **Warranty:** The longest in the industry—two full years of warranty on capacitor cells

Standards and Certifications

- UL 810 and C22.2 No. 190 listed



2.2

SPD, Power Conditioning, PF Capacitors and Harmonic Filters

Power Factor Correction and Harmonic Filtering

Product Selection

2

UNIPUMP

UNIPUMP



kvar	Rated Current	Case Size	Cable Size	Shipping Weight in Lb (kg)	Catalog Number
240 Vac					
2	4.8	AA	14	10.0 (4.5)	223JMR
2.5	6.0	AA	14	10.0 (4.5)	2X23JMR
3	7.2	AA	14	10.0 (4.5)	323JMR
4	9.6	AA	14	11.0 (5.0)	423JMR
5	12.0	BB	12	11.0 (5.0)	523JMR
6	14.4	BB	12	15.0 (6.8)	623JMR
7.5	18.0	BB	12	15.0 (6.8)	7X23JMR
480 Vac					
2	2.4	AA	14	10.4 (4.7)	243JMR
2.5	3.0	AA	14	10.4 (4.7)	2X43JMR
3	3.6	AA	14	10.4 (4.7)	343JMR
4	4.8	AA	14	10.4 (4.7)	443JMR
5	6.0	AA	14	10.4 (4.7)	543JMR
6	7.2	AA	14	10.6 (4.8)	643JMR
7.5	9.0	AA	14	10.6 (4.8)	7X43JMR
10	12.0	AA	14	10.8 (4.9)	1043JMR
12.5	15.0	BB	12	15.0 (6.8)	12X43JMR
15	18.0	BB	12	15.0 (6.8)	1543JMR
17.5	21.0	BB	8	15.8 (7.2)	17X43JMR
20	24.0	BB	8	16.8 (7.6)	2043JMR
25	30.0	BB	8	16.8 (7.6)	2543JMR
600 Vac					
5	4.9	AA	14	10.8 (4.9)	563JMR
7.5	7.4	AA	14	10.8 (4.9)	7X63JMR
10	9.8	AA	14	10.8 (4.9)	1063JMR
12.5	12.3	BB	12	15.0 (6.8)	12X63JMR
15	14.7	BB	12	15.8 (7.2)	1563JMR
17.5	17.2	BB	8	16.8 (7.6)	17X63JMR
20	19.6	BB	8	16.8 (7.6)	2063JMR

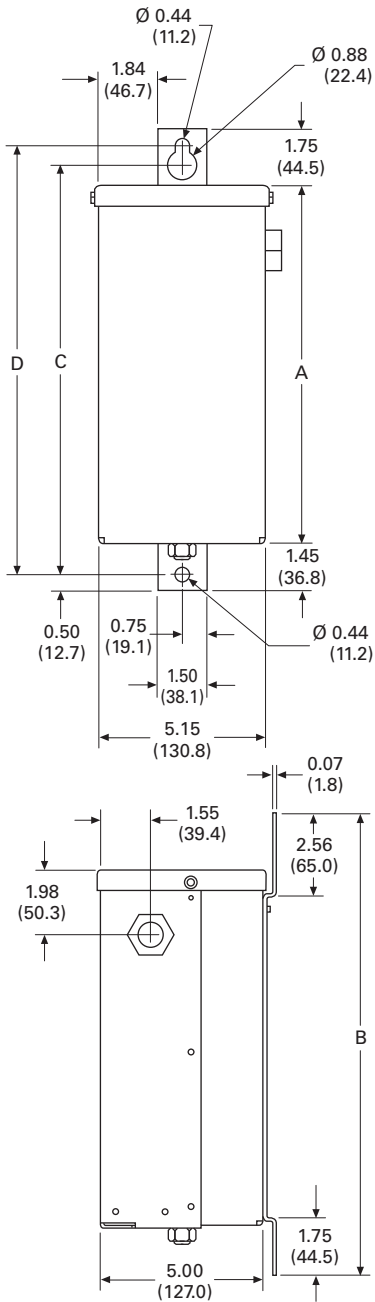
Dimensions

Approximate Dimensions in Inches (mm)

UNIPUMP

UNIPUMP Dimension Chart

Size Code	A	B	C	D
AA	11.00 (279.4)	14.20 (360.7)	12.60 (320.0)	13.20 (335.3)
BB	14.00 (355.6)	17.10 (434.3)	15.50 (393.7)	16.10 (408.9)



UNIPAK



Contents

<i>Description</i>	<i>Page</i>
Product Overview	V3-T2-51
UNIPUMP	V3-T2-53
UNIPAK	
Features, Benefits and Functions	V3-T2-57
Standards and Certifications	V3-T2-57
Product Selection	V3-T2-58
Wiring Diagram	V3-T2-62
Dimensions	V3-T2-63
AUTOVAR 300 Automatic Power Factor Correction Capacitor Systems	V3-T2-65
AUTOVAR 600 Automatic Power Factor Correction Capacitor Systems	V3-T2-69
AUTOVAR Filter—LV Automatic Detuned Filter. . .	V3-T2-76
Transient-Free Static Switching Power Factor Correction Units	V3-T2-83
HCU2 Harmonic Correction Unit.	
HCUn Harmonic Correction Unit.	V3-T2-89

UNIPAK

Product Description

UNIPAK Low Voltage Fixed Capacitor Banks

- Two-year warranty on capacitor cells (units with standard-duty cells)
- Five-year warranty on capacitor cells (units with heavy-duty cells)
- Indoor/outdoor service
- Wall-mount (up to C2) and floor-mounted units available
- Short lead-times
- Slim profile allows reduced footprint, conserving valuable floor space

UNIPAK Low Voltage Fixed Detuned Filters

- Detuned filter systems for low voltage, heavy-duty applications
- Correct power factor in high harmonic environments
- Two-enclosure design isolates capacitors from high-temperature operating reactors and allows for flexible installation
- Five-year cell warranty/ one-year reactor warranty
- Three-phase cell capacitor construction

UNIPAK with Heavy-Duty Capacitor Cells

- Standard fixed capacitor systems using heavy-duty capacitor cells
- For use in moderate harmonic environments where engineering evaluation allows in place of detuned filter designs
- Provides future conversion capability into a detuned filter system when required by facility growth or increased nonlinear load levels

Application Description

Designed for power factor correction in plants experiencing harmonics problems due to high amounts of nonlinear loads.

Features, Benefits and Functions

UNIPAK Low Voltage Fixed Capacitor Banks

- **Outer enclosure:** Heavy, No. 14 gauge steel finished with durable baked powder coat finish. Wall-mounting flanges and floor-mounting feet. Elimination of knockouts permits indoor/outdoor use. Manufactured to NEMA 1 and 3R requirements
- Elevated floor-mounting feet allow access for easy maintenance
- **Cover:** "L" shaped gasketed cover with multiple fasteners provides front opening for ease of installation and service
- **UNIPAK operating temperature:** -40 °F to +115 °F (-40 °C to +46 °C)
- **UNIPAK storage temperature:** -40 °F to +131 °F (-40 °C to +55 °C)
- **Power and ground terminal lugs:** Furnished inside enclosure
- **Pressure-sensitive interrupter:** All units have built-in UL recognized pressure-sensitive interrupter, and thermally or mechanically activated disconnecting link removes capacitor from the supply before dangerous pressure buildup or excessive fault current occurs. Bulged capacitor cell top provides easy visual indication of interrupter operation

- **Standard fusing:**
 - **Size Code A1:** Three midget-type fuses with 100,000 A interrupting capacity
 - **Size Code A2 and larger:** Slotted-blade type fuses with 200,000 A interrupting capacity; fuses mounted on stand-off bushings; solderless connectors for easy hookup of incoming line conductors
- **Fuse indicating lights:** Red, neon cleared-fuse indicating lights are protected by transparent weatherproof guard
- **Options:**
 - Non-fused units available, selected sizes
 - Heavy-duty capacitor cells, selected sizes

UNIPAK Low Voltage Fixed Detuned Filters

- **Enclosures:** Standard NEMA 1 enclosures have durable baked powder coat finish
- **UNIPAK detuned filter operating temperature:** -40 °F to +115 °F (-40 °C to +46 °C)
- **UNIPAK detuned filter storage temperature:** -40 °F to +131 °F (-40 °C to +55 °C)
- **Power and ground terminal lugs:** Furnished inside enclosures

Standards and Certifications

UNIPAK Low Voltage Fixed Capacitor Banks

- UL 810 and CSA C.22.2 No.190 Listed

UNIPAK Low Voltage Fixed Detuned Filters

- UL 508A and CSA C22.2 No. 190 Listed



Product Selection

UNIPAK Low Voltage Fixed Capacitor Banks

2

UNIPAK



240 Vac UNIPAK Selection Chart

kvar	Rated Current (Amperes)	Enclosure	Shipping Weight in Lb (kg)	Catalog Number
1	2.4	A1	18 (8)	123PMURF
1.5	3.6	A1	18 (8)	1X23PMURF
2	4.8	A1	19 (9)	223PMURF
2.5	6	A1	19 (9)	2X23PMURF
3	7.2	A1	19 (9)	323PMURF
4	9.6	A1	20 (9)	423PMURF
5	12	A2	29 (13)	523PMURF
6	14.4	A2	29 (13)	623PMURF
7.5	18	A2	30 (14)	7X23PMURF
8	19.2	A2	31 (14)	823PMURF
10	24	A2	31 (14)	1023PMURF
12.5	30	A2	32 (14)	12X23PMURF
15	36	A2	33 (15)	1523PMURF
17.5	42	B1	44 (20)	17X23PMURF
20	48	B1	45 (20)	2023PMURF
22.5	54	B1	46 (21)	22X23PMURF
25	60	B1	46 (21)	2523PMURF
30	72	B1	47 (21)	3023PMURF
32.5	78	C1	47 (22)	32X23PMURF
35	84	C1	48 (22)	3523PMURF
37.5	90	C1	60 (27)	37X23PMURF
40	96	C1	64 (29)	4023PMURF
42.5	102	C1	65 (30)	42X23PMURF
45	108	C1	66 (30)	4523PMURF
50	120	C1	68 (31)	5023PMURF
60	144	C1	69 (31)	6023PMURF
70	168	C2	99 (45)	7023PMURF
75	180	C2	100 (46)	7523PMURF
80	192	C2	101 (46)	8023PMURF
90	216	C2	103 (47)	9023PMURF
100	240	D1	104 (47)	10023PMURF
120	288	D1	133 (60)	12023PMURF
140	336	E1	137 (62)	14023PMURF
150	360	E1	140 (64)	15023PMURF
160	384	E1	175 (80)	16023PMURF
180	432	E1	182 (83)	18023PMURF
200	480	E1	189 (86)	20023PMURF

Notes

Multiply the 240 Vac kvar rating by 0.75 to calculate the kvar value at 208 Vac.

Fused with blown-fuse indication available standard. Non-fused and no lights also available—please consult the factory.

Other ratings available, consult factory.

For dimensional information, refer to **Page V3-T2-63**.

Part Numbers:

PMURF—three fuses + three lights

PMURN—non-fused

480 Vac UNIPAK Selection Chart

kvar	Rated Current (Amperes)	Enclosure	Shipping Weight in Lb (kg)	Catalog Number
1.5	1.8	A1	17 (8)	1X43PMURF
2	2.4	A1	18 (8)	243PMURF
2.5	3	A1	18 (8)	2X43PMURF
3	3.6	A1	19 (9)	343PMURF
4	4.8	A1	19 (9)	443PMURF
5	6	A1	19 (9)	543PMURF
6	7.2	A1	19 (9)	643PMURF
7.5	9	A1	20 (9)	7X43PMURF
8	9.6	A1	20 (9)	843PMURF
9	10.8	A1	20 (9)	943PMURF
10	12	A1	20 (9)	1043PMURF
12.5	15	A2	29 (13)	12X43PMURF
15	18	A2	29 (13)	1543PMURF
17.5	21	A2	30 (14)	17X43PMURF
20	24	A2	31 (14)	2043PMURF
22.5	27	B1	44 (20)	22X43PMURF
25	30	A2	32 (15)	2543PMURF
27.5	33	B1	44 (20)	27X43PMURF
30	36	B1	44 (20)	3043PMURF
32.5	39	B1	45 (20)	32X43PMURF
35	42	B1	45 (20)	3543PMURF
37.5	45	B1	46 (21)	37X43PMURF
40	48	B1	46 (21)	4043PMURF
42.5	51	B1	47 (21)	42X43PMURF
45	54	B1	47 (22)	4543PMURF
50	60	B1	48 (22)	5043PMURF
55	66	C1	48 (22)	5543PMURF
60	72	C1	48 (22)	6043PMURF
65	78	C1	64 (29)	6543PMURF
70	84	C1	65 (30)	7043PMURF
75	90	C1	65 (30)	7543PMURF
80	96	C1	66 (30)	8043PMURF
85	102	C1	68 (31)	8543PMURF
90	108	C1	68 (31)	9043PMURF
100	120	C1	69 (31)	10043PMURF
120	144	C2	69 (31)	12043PMURF
125	150	C2	99 (45)	12543PMURF
140	168	C2	100 (46)	14043PMURF
150	180	C2	101 (46)	15043PMURF
160	192	D1	103 (47)	16043PMURF
180	216	D1	104 (47)	18043PMURF
200	240	D1	137 (62)	20043PMURF
225	270	D1	140 (64)	22543PMURF
250	300	E1	170 (77)	25043PMURF
300	360	E1	175 (80)	30043PMURF
350	420	E1	182 (83)	35043PMURF
400	480	E1	189 (86)	40043PMURF

600 Vac UNIPAK Selection Chart

kvar	Rated Current (Amperes)	Enclosure	Shipping Weight in Lb (kg)	Catalog Number
5	4.9	A1	19 (9)	563PMURF
7.5	7.4	A1	19 (9)	7X63PMURF
10	9.8	A1	20 (9)	1063PMURF
12.5	12.3	A1	20 (9)	12X63PMURF
15	14.7	A2	29 (13)	1563PMURF
17.5	17.2	A2	29 (13)	17X63PMURF
20	19.6	A2	30 (14)	2063PMURF
22.5	22.1	B1	44 (20)	22X63PMURF
25	24.5	B1	31 (14)	2563PMURF
27.5	27.0	B1	44 (20)	27X63PMURF
30	29.4	B1	45 (20)	3063PMURF
32.5	31.9	B1	45 (20)	32X63PMURF
35	34.3	B1	46 (21)	3563PMURF
37.5	36.8	B1	46 (21)	37X63PMURF
40	39.2	B1	47 (21)	4063PMURF
42.5	41.7	B1	47 (22)	42X63PMURF
45	44.1	B1	48 (22)	4563PMURF
50	49.0	B1	48 (22)	5063PMURF
55	53.9	C1	64 (29)	5563PMURF
60	58.8	C1	64 (29)	6063PMURF
65	63.7	C1	65 (30)	6563PMURF
70	68.6	C1	65 (30)	7063PMURF
75	73.5	C1	66 (30)	7563PMURF
80	78.4	C1	68 (31)	8063PMURF
85	83.3	C1	68 (31)	8563PMURF
90	88.2	C1	69 (31)	9063PMURF
100	98.0	C1	69 (31)	10063PMURF
120	117.6	C2	99 (45)	12063PMURF
125	122.5	C2	100 (46)	12563PMURF
140	137.2	C2	101 (46)	14063PMURF
150	147.0	C2	103 (47)	15063PMURF
160	156.8	D1	135 (61)	16063PMURF
180	176.4	D1	137 (62)	18063PMURF
200	196.0	D1	140 (64)	20063PMURF
225	220.5	D1	143 (65)	22563PMURF
250	245.0	E1	170 (77)	25063PMURF
300	294.0	E1	175 (80)	30063PMURF
350	343.0	E1	182 (83)	35063PMURF
400	392.0	E1	189 (86)	40063PMURF

Notes

Fused with blown-fuse indication available standard.
 Non-fused and no lights also available—please consult the factory.
 Other ratings available, consult factory.
 For dimensional information, refer to **Page V3-T2-63**.
 Part Number
 PMURF—three fuses + three lights
 PMURN—non-fused

UNIPAK—with Harmonic Cells

2

Harmonic Cells



Low Voltage Fixed Capacitor Systems with Heavy-Duty Cells

kvar	Rated Current (Amperes)	Case Size	Shipping Weight in Lb (kg)	Catalog Number
240 V				
15	36	B1	38.4 (17)	1523HURF
25	60	B1	38.4 (17)	2523HURF
30	72	C1	55.2 (25)	3023HURF
50	120	C1	57.6 (26)	5023HURF
60	144	C2	100.8 (46)	6023HURF
75	180	C2	104.4 (47)	7523HURF
100	240	D1	136.8 (62)	10023HURF
125	300	E1	189.6 (86)	12523HURF
480 V				
15	18	B1	25.2 (11)	1543HURF
25	30	B1	37.2 (17)	2543HURF
30	36	B1	38.4 (17)	3043HURF
50	60	C1	39.6 (18)	5043HURF
60	72	C1	52.8 (24)	6043HURF
75	90	C2	55.2 (25)	7543HURF
100	120	C2	57.6 (26)	10043HURF
125	150	D1	100.8 (46)	12543HURF
150	180	D1	104.4 (47)	15043HURF
200	240	E1	136.8 (62)	20043HURF
250	300	E1	186.0 (84)	25043HURF
600 V				
15	14.7	B1	37.2 (17)	1563HURF
25	24.5	B1	38.4 (17)	2563HURF
30	29.4	B1	39.6 (18)	3063HURF
50	49	C1	55.2 (25)	5063HURF
60	58.8	C1	57.6 (26)	6063HURF
75	73.5	C2	100.8 (46)	7563HURF
100	98	C2	104.4 (47)	10063HURF
125	122.5	D1	136.8 (62)	12563HURF
150	147	D1	136.8 (62)	15063HURF
200	196	E1	186.0 (84)	20063HURF
250	245	E1	189.6 (86)	25063HURF

Notes

Fused with blown-fuse indication standard.
Other ratings available, consult factory.

UNIPAK Low Voltage Fixed Detuned Filters**Fixed UNIPAK Detuned Filters**

2

kvar	Rated Current (Amperes)	Capacitor Enclosure Size	Shipping Weight in Lb (kg)	Reactor Enclosure Case Size	Reactor Shipping Weight in Lb (kg)	Combined Shipping Weight in Lb (kg)	Catalog Number
240 V							
15	36	B1	48.4 (22.0)	R	90.0 (40.9)	138.4 (62.8)	15232HMURFY
25	60	B1	48.4 (22.0)	R	105.0 (47.7)	153.4 (69.6)	25232HMURFY
30	72	C1	65.2 (29.6)	R	110.0 (49.9)	175.2 (79.5)	30232HMURFY
50	120	C1	67.6 (30.7)	R	130.0 (59.0)	197.6 (89.7)	50232HMURFY
60	144	C2	110.8 (50.3)	R	160.0 (72.6)	270.8 (122.9)	60232HMURFY
75	180	C2	114.4 (51.9)	R	185.0 (84.0)	299.4 (135.9)	75232HMURFY
100	240	D1	146.8 (66.6)	R	240.0 (109.0)	386.8 (175.6)	100232HMURFY
125	300	E1	199.6 (90.6)	S	280.0 (127.1)	479.6 (217.7)	125232HMURFY
150	360	E1	220.0 (99.9)	S	280.0 (127.1)	500.0 (227.0)	150232HMURFY
480 V							
15	18	B1	35.2 (16.0)	R	90.0 (40.9)	125.2 (56.8)	15432HMURFY
25	30	B1	47.2 (21.4)	R	105.0 (47.7)	152.2 (69.1)	25432HMURFY
30	36	B1	48.4 (22.0)	R	110.0 (49.9)	158.4 (71.9)	30432HMURFY
50	60	C1	49.6 (22.5)	R	130.0 (59.0)	179.6 (81.5)	50432HMURFY
60	72	C1	62.8 (28.5)	R	160.0 (72.6)	222.8 (101.2)	60432HMURFY
75	90	C2	65.2 (29.6)	R	185.0 (84.0)	250.2 (113.6)	75432HMURFY
100	120	C2	67.6 (30.7)	R	240.0 (109.0)	307.6 (139.7)	100432HMURFY
125	150	D1	110.8 (50.3)	R	280.0 (127.1)	390.8 (177.4)	125432HMURFY
150	180	D1	114.4 (51.9)	S	280.0 (127.1)	394.4 (179.1)	150432HMURFY
200	240	E1	146.8 (66.6)	S	330.0 (149.8)	476.8 (216.5)	200432HMURFY
250	300	E1	196.0 (89.0)	T	570.0 (258.8)	766.0 (347.8)	250432HMURFY
600 V							
15	14.7	B1	47.2 (21.4)	R	90.0 (40.9)	137.2 (62.3)	15632HMURFY
25	24.5	B1	48.4 (22.0)	R	90.0 (47.7)	153.4 (69.6)	25632HMURFY
30	29.4	B1	49.6 (22.5)	R	105.0 (49.9)	159.6 (72.5)	30632HMURFY
50	49	C1	65.2 (29.6)	R	110.0 (59.0)	195.2 (88.6)	50632HMURFY
60	58.8	C1	67.6 (30.7)	R	130.0 (72.6)	227.6 (103.3)	60632HMURFY
75	73.5	C2	110.8 (50.3)	R	160.0 (84.0)	295.8 (134.3)	75632HMURFY
100	98	C2	114.4 (51.9)	R	185.0 (109.0)	354.4 (160.9)	100632HMURFY
150	147	D1	146.8 (66.6)	S	280.0 (127.1)	426.8 (193.8)	150632HMURFY
200	196	E1	196.0 (89.0)	T	330.0 (149.8)	526.0 (238.8)	200632HMURFY
250	245	E1	199.6 (90.6)	T	570.0 (258.8)	769.6 (349.4)	250632HMURFY

Notes

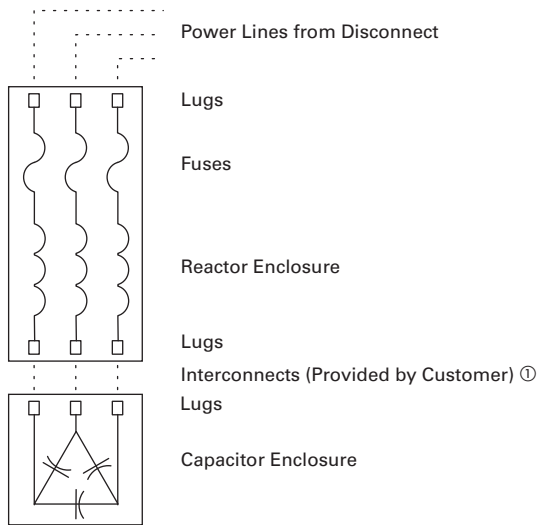
Other ratings available, consult factory.

Fused with blown-fuse indication standard.

Wiring Diagram

Filter Schematic with Wiring Interconnects

2



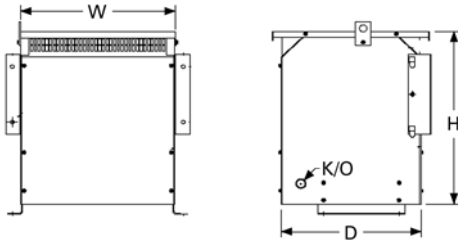
Note

① Refer to NEC.

Dimensions

Approximate Dimensions in Inches (mm)

Reactor Cabinet

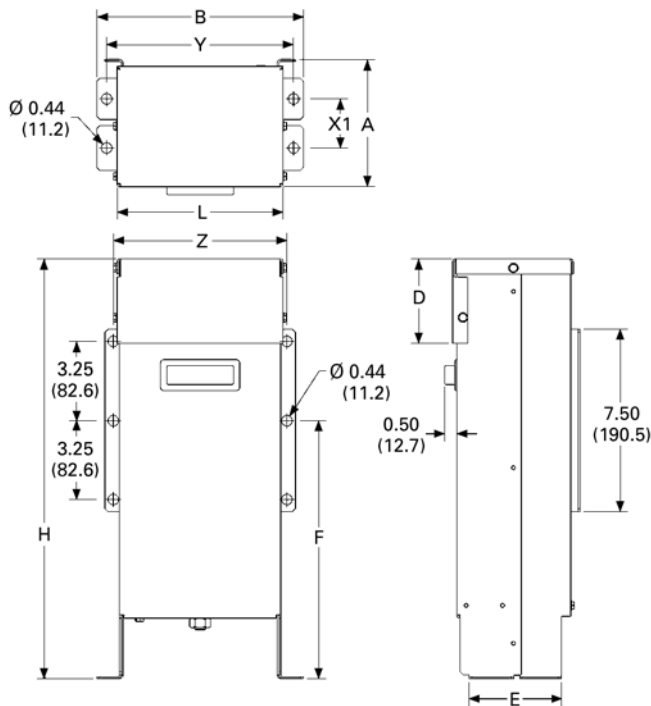


Reactor Cabinet

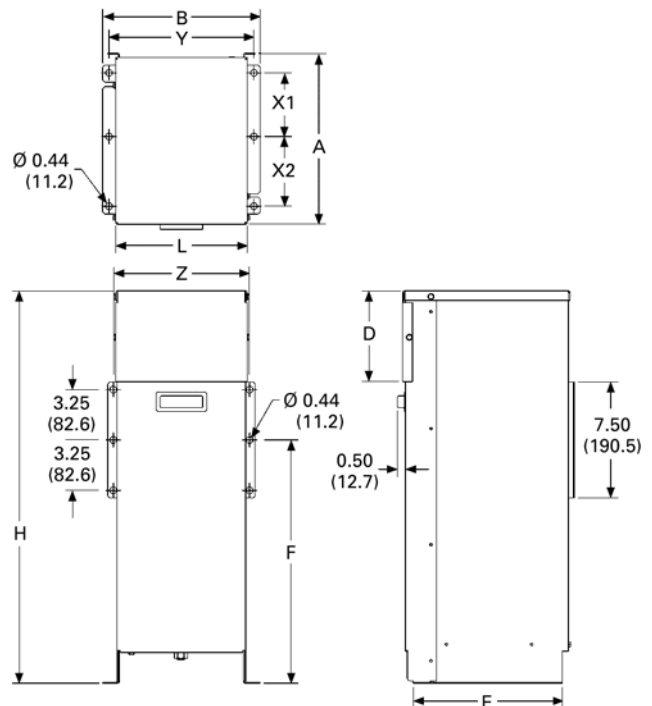
Case Size	Height	Width	Depth
R	24.75 (628.7)	20.00 (508.0)	18.13 (460.5)
S	25.00 (635.0)	24.25 (616.0)	20.25 (514.4)
T	31.00 (787.4)	25.00 (635.0)	32.75 (831.9)

Low Voltage Fixed Capacitor Banks and Fixed Harmonic Filters

Case A1, A2



Case B1



UNIPAK Enclosures

Case Size	A	B	D	E	F	H	L	X1	X2	X3	Y	Z
A1	5.30 (134.6)	8.50 (215.9)	3.50 (88.9)	3.80 (96.5)	10.60 (269.2)	17.30 (439.4)	6.80 (172.7)	2.00 (50.8)	N/A	N/A	7.70 (195.6)	7.20 (182.9)
A2	6.00 (152.4)	8.50 (215.9)	5.60 (142.2)	4.50 (114.3)	13.30 (337.8)	22.30 (566.4)	6.80 (172.7)	2.30 (58.4)	N/A	N/A	7.70 (195.6)	7.20 (182.9)
B1	11.10 (281.9)	10.10 (256.5)	5.80 (147.3)	9.60 (243.8)	15.70 (398.8)	25.30 (642.6)	8.50 (215.9)	4.10 (104.1)	4.50 (114.3)	N/A	9.30 (236.2)	8.80 (223.5)

Legend:

- A = Total depth
- B = Total width
- D = Height of removable front cover
- E = Depth of feet
- F = Height of middle mounting hole in wall bracket
- H = Total height
- L = Width without feet and brackets
- X = Depth between front and rear mounting holes in inches
- Y = Width between floor mounting holes
- Z = Width between wall bracket mounting holes

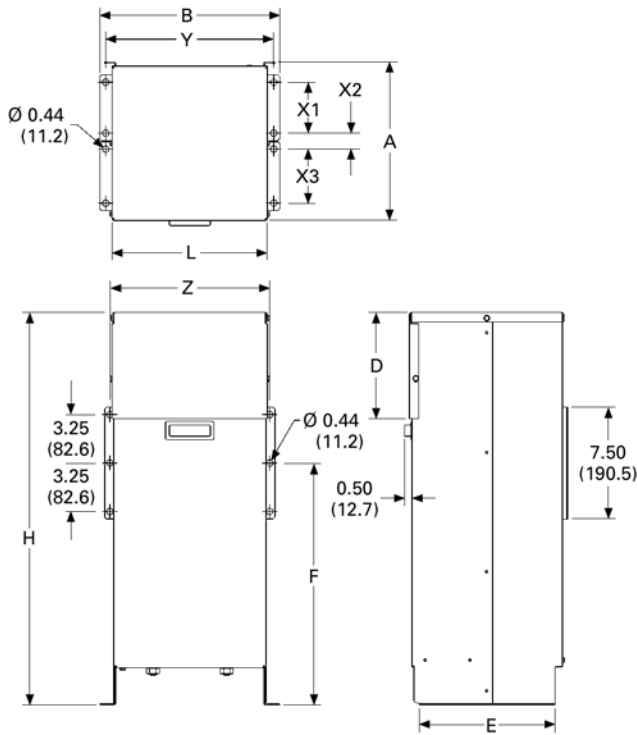
2.2

SPD, Power Conditioning, PF Capacitors and Harmonic Filters

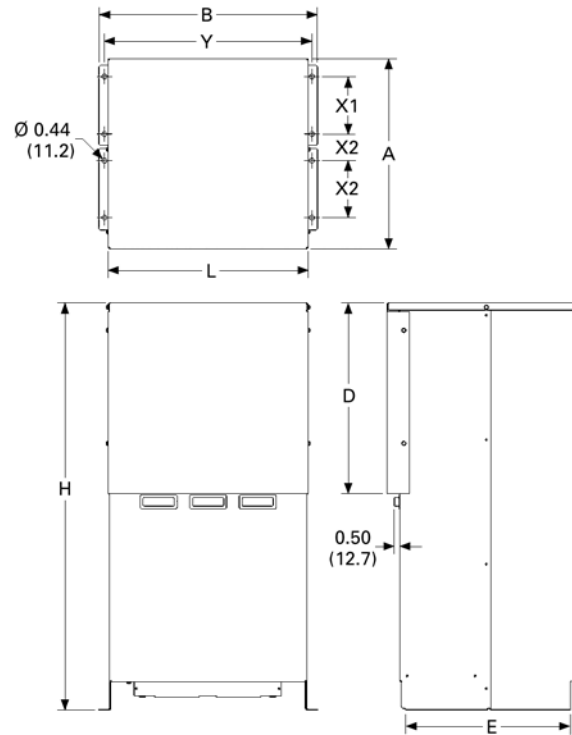
Power Factor Correction and Harmonic Filtering

Approximate Dimensions in Inches (mm)

Case C1, C2



Case D1, E1



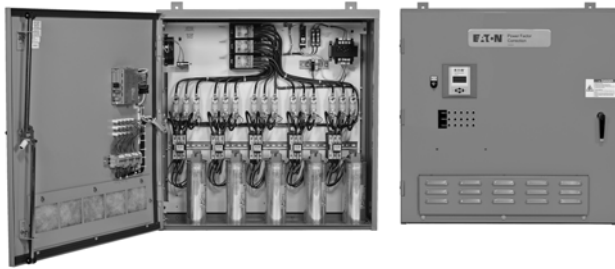
UNIPAK Enclosures

Case Size	A	B	D	E	F	H	L	X1	X2	X3	Y	Z
C1	10.60 (269.2)	12.10 (307.3)	7.10 (180.3)	9.10 (231.1)	16.20 (411.5)	26.30 (668.0)	10.40 (264.2)	3.40 (86.4)	1.10 (27.9)	3.60 (91.4)	11.30 (287.0)	10.70 (271.8)
C2	12.00 (304.8)	19.30 (490.2)	16.90 (429.3)	9.50 (241.3)	16.30 (414.0)	36.00 (914.4)	17.70 (449.6)	3.00 (76.2)	1.50 (38.1)	3.80 (96.5)	18.30 (464.8)	18.00 (457.2)
D1	16.80 (426.7)	19.30 (490.2)	16.90 (429.3)	14.60 (370.8)	N/A	36.00 (914.4)	17.70 (449.6)	5.10 (129.5)	2.40 (61.0)	5.00 (127.0)	18.30 (464.8)	N/A
E1	22.30 (566.4)	24.40 (619.8)	16.80 (426.7)	19.50 (495.3)	N/A	36.00 (914.4)	22.70 (576.6)	6.50 (165.1)	4.40 (111.8)	5.00 (127.0)	22.40 (569.0)	N/A

Legend:

- A = Total depth
- B = Total width
- D = Height of removable front cover
- E = Depth of feet
- F = Height of middle mounting hole in wall bracket
- H = Total height
- L = Width without feet and brackets
- X = Depth between front and rear mounting holes in inches
- Y = Width between floor mounting holes
- Z = Width between wall bracket mounting holes

AUTOVAR 300



Contents

<i>Description</i>	<i>Page</i>
Product Overview	V3-T2-51
UNIPUMP	V3-T2-53
UNIPAK	V3-T2-56
AUTOVAR 300 Automatic Power Factor Correction Capacitor Systems	
Product Selection	V3-T2-67
Standards and Certifications	V3-T2-66
Dimensions	V3-T2-68
AUTOVAR 600 Automatic Power Factor Correction Capacitor Systems	V3-T2-69
AUTOVAR Filter—LV Automatic Detuned Filter	V3-T2-76
Transient-Free Static Switching Power Factor Correction Units	V3-T2-83
HCU2 Harmonic Correction Unit	
HCU _n Harmonic Correction Unit	V3-T2-89

AUTOVAR 300 Automatic Power Factor Correction Capacitor Systems

Product Description

Automatically switched power factor correction systems for low voltage applications.

- Wallmount design is ideal for minimum space requirements
- Programmable to automatically add/subtract capacitor stages to maintain preset target power factor
- Heavy-duty, three-phase capacitor construction
- Two-year warranty of cells against manufacturing defects

Application Description

AUTOVAR 300 is an ideal capacitor bank to automatically regulate power factor where floor space is limited and expansion of the facility's electrical load is not expected.

Features

Configuration

- **Cabinet:** Wallmounting 12 gauge steel with ANSI 61 gray, NEMA 1 (gasketed)
- **Power line interconnect:** Rugged, power distribution block connection. Typical power distribution block can accommodate phase wire sizes from 4 AWG to 500 kcmil; typical ground lug can accommodate wire sizes from 14 AWG to 2/0 AWG. Consult equipment approval drawings for actual lug size
- **Control wiring:** UL type MTW/AWM, CSA TEW 105 °C copper wire is standard
- **Fusing:** 200,000 A interrupting capacity provided on all three phases of each stage. Blade-type fuses mounted on insulator stand-offs with cleared-fuse indicating lights
- **Cleared-fuse lights:** Cleared-fuse neon indicating lights for each phase and stage located on the door
- **Door interlock:** Door interlock automatically disengages capacitors. Power continues to be provided to the unit until the disconnect is open
- **Exhaust fan:** Provides ventilation; dust filtering included
- **Safety:** Ground fault interruption provides protection in case of accidental contact with control power and ground
- **Conduit/cable entry:** Available in top/side cable entry
- **Thermal sensing:** Built-in thermal sensing, alarming, and protection feature allows the unit to operate in optimal temperature while alerting the user of ambient temperature exceeding the nominal operating range. Stages will be automatically switched off if temperature exceeds the maximum specified temperature
- **Temperature range:** The operating temperature range is –20 °C to +46 °C, and the storage temperature range is –40 °C to +55 °C. For optimal equipment life, the temperature should not exceed 35 °C annual average, and the environment should not exceed Pollution Degree 2 as defined in UL 61010-1

Controller

- Visual indication of incorrect CT polarity
- Digital display of power factor and number of energized stages
- Automatic setting of c/k value (sensitivity based on CT ratio and kvar available)
- Visual indication of insufficient kvar to reach target power factor
- Automatic sensing of kvar values per step
- Optional communications capable controller (RS-485/Modbus)
- Standard metering capability:
 - Voltage
 - Current (sensed phase only)
 - Frequency
 - Active power (kW)
 - Reactive power (kvar)
 - Apparent power (kVA)
 - Total voltage harmonic distortion (VTHD)
 - Individual harmonic voltage distortion (odd orders up to the 19th harmonic)
- Built-in manual mode allows for testing and manual operation of stages
- Multiple user-friendly alarm displays. Controller provides easy-to-understand alarms for various conditions, such as:
 - Undervoltage or overvoltage
 - Undercurrent or overcurrent
 - Target power factor not met
 - Harmonic overload
 - Faulty step/stages
 - Overtemperature alarm

Contactors

- Fully rated for capacitor switching
- Integral pre-charge/pre-insertion module standard. The contactor reduces damaging switching transients, providing safety and durability for the system
 - Lessens the chance of disrupting sensitive electronic equipment
 - Reduced inrush current extends the life of the capacitor cells

Options

- Optional main molded-case circuit breaker
- NEMA 3R weather-resistant enclosure
- Hand-Off-Auto switches
- Remote alarm relay terminal block
- Communications capable controller

Support and Service

- Renewal parts are available through local Eaton distributors
- Factory trained service personnel are available through Eaton's Electrical Services & Systems

Standards and Certifications

- UL/CSA listed and recognized
- Entire cabinet assembly is UL 508A and CSA C22.2 No. 190 Listed
- Capacitors are UL 810 recognized
- Contactor is UL/CSA recognized and IEC 6b rated



Product Selection

**Wallmounted AUTOVAR 300 Switched Capacitor Banks—
Low Voltage Applications**

kvar	Step x kvar	Rated Current Amperes	Base Shipping Weight in Lb (kg) ①	Catalog Number
240 V				
25	5 x 5	60	217 (98.5)	25MCSR2313
50	5 x 10	120	255 (115.8)	50MCSR2313
75	5 x 15	180	260 (118.0)	75MCSR2313
100	5 x 20	240	270 (122.6)	100MCSR231
125	5 x 25	300	292 (132.6)	125MCSR231
480 V				
50	5 x 10	60	200 (90.8)	50MCSR4313
75	5 x 15	90	210 (95.3)	75MCSR4313
100	5 x 20	120	210 (95.3)	100MCSR4313
125	5 x 25	150	240 (109.0)	125MCSR4313
150	5 x 30	180	240 (109.0)	150MCSR4313
175	5 x 35	210	260 (118.0)	175MCSR431
200	5 x 40	241	270 (122.6)	200MCSR431
225	5 x 45	270	290 (131.7)	225MCSR431
250	5 x 50	300	292 (132.6)	250MCSR431
600 V				
50	5 x 10	48	200 (90.8)	50MCSR6313
75	5 x 15	72	210 (95.3)	75MCSR6313
100	5 x 20	96	210 (95.3)	100MCSR6313
125	5 x 25	120	240 (109.0)	125MCSR6313
150	5 x 30	144	240 (109.0)	150MCSR6313
175	5 x 35	168	260 (118.0)	175MCSR631
200	5 x 40	192	270 (122.6)	200MCSR631
225	5 x 45	216	290 (131.7)	225MCSR631
250	5 x 50	240	292 (132.6)	250MCSR631

Spare Fuses

kvar Rating/Bank				Eaton Fuse Part Number
240 V	480 V	600 V	Amperes	
5	10	10	30	SP030217-0029J
—	15	20	50	SP030217-0037D
10	20	—	60	SP030217-0037E
—	25	25–30	80	SP030217-0037G
15	30	40	100	SP030217-0037J
20	40	50	125	SP030217-0037K
25	50	—	150	SP030217-0037L

Renewal Parts

Description	Catalog Number
Replacement PF controller, ACX type	SP039010-0035U
Replacement contactor, 72 A	SP039010-0014B
Replacement contactor, 32 A	SP039010-0014C

Options

Description	Option Code
Remote alarm relay terminal block—relay terminal block for a remote alarm to indicate controller alarm status	A
Communicating controller (Modbus RS-485)	C
Hand-Off-Auto switch—provides manual control to connect or disconnect capacitor stages regardless of controller output ②	H
Molded-case circuit breaker (see circuit breaker section)	M
Weather-resistant enclosure (NEMA 3R gasketed)	W

Integrated Main Breakers—AUTOVAR 300

kvar	AUTOVAR Rated Current Amperes	Breaker Size (Amperes) ③	Breaker Interrupting Rating (kA)	Breaker Weight in Lb (kg)	Standard Wire Lug Size ④
240 V					
25	60	125	100	10 (4.5)	(1) #3–350
50	120	250	100	10 (4.5)	(1) #3–350
75	180	250	100	10 (4.5)	(1) #3–350
100	240	400	100	10 (4.5)	(2) #3/0–250
125	300	600	100	25 (11.4)	(2) #3/0–350
480 V					
50	60	125	65	10 (4.5)	(1) #3–350
75	90	125	65	10 (4.5)	(1) #3–350
100	120	250	65	10 (4.5)	(1) #3–350
125	150	250	65	10 (4.5)	(1) #3–350
150	180	250	65	10 (4.5)	(1) #3–350
175	210	400	65	10 (4.5)	(2) #3/0–250
200	240	400	65	10 (4.5)	(2) #3/0–250
225	270	400	65	10 (4.5)	(2) #3/0–250
250	300	600	65	25 (11.4)	(2) #3/0–350
600 V					
50	48	125	35	10 (4.5)	(1) #3–350
75	72	125	35	10 (4.5)	(1) #3–350
100	96	250	35	10 (4.5)	(1) #3–350
125	120	250	35	10 (4.5)	(1) #3–350
150	144	250	35	10 (4.5)	(1) #3–350
175	168	250	35	10 (4.5)	(1) #3–350
200	192	400	35	10 (4.5)	(2) #3/0–350
225	216	400	35	10 (4.5)	(2) #3/0–350
250	240	400	35	10 (4.5)	(2) #3/0–350

Notes

- ① To calculate AUTOVAR 300 weight:
 1. Obtain base unit weight from table above.
 2. Add option weights as necessary:
 - A = 1 lb
 - C = 1 lb
 - H = 5 lb
 - W = 10 lb
 - M = 50 lb enclosure weight adder plus circuit breaker weight (see circuit breaker table)
 - S = Consult Eaton’s Technical Resource Center (TRC) at 1-800-809-2772, choose option #4, then option #2
- Heavy-duty cells, 50 Hz units, and other ratings available, please consult factory. A minimum of one CT is required per AUTOVAR unit. kvar output is voltage and frequency dependent. 60 Hz units are shown. For other voltages and frequencies, consult Eaton Technical Resource Center (TRC) at 1-800-809-2772, choose option #4, then option #2.
- ② Manual control is always available through controller menu system, even if the H option is not selected.
- ③ Breakers are sized at a minimum of 135% of the unit rated Amperes per the NEC®.
- ④ See equipment drawings for actual lug sizes.

2.2

SPD, Power Conditioning, PF Capacitors and Harmonic Filters

Power Factor Correction and Harmonic Filtering

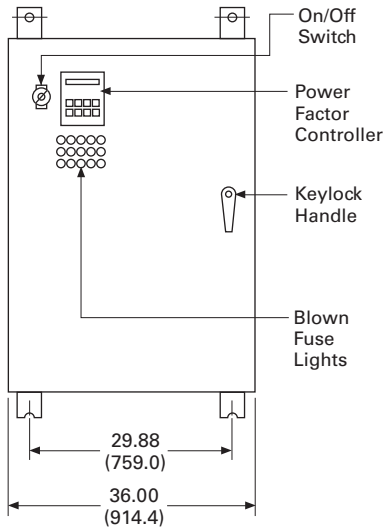
Dimensions

Approximate Dimensions in Inches (mm)

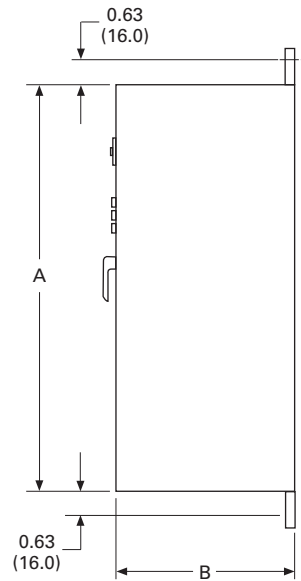
2

Enclosure J

Front View



Side View



Description	Height A	Depth B
J1	36.00 (914.4)	14.00 (355.6)
J2	60.00 (1524.0)	14.00 (355.6)

AUTOVAR 600



Contents

<i>Description</i>	<i>Page</i>
Product Overview	V3-T2-51
UNIPUMP	V3-T2-53
UNIPAK	V3-T2-56
AUTOVAR 300 Automatic Power Factor Correction Capacitor Systems	V3-T2-65
AUTOVAR 600 Automatic Power Factor Correction Capacitor Systems	
Standards and Certifications	V3-T2-70
Product Selection	V3-T2-71
Dimensions	V3-T2-75
AUTOVAR Filter—LV Automatic Detuned Filter	V3-T2-76
Transient-Free Static Switching Power Factor Correction Units	V3-T2-83
HCU2 Harmonic Correction Unit	V3-T2-85
HCUu Harmonic Correction Unit	V3-T2-89

AUTOVAR 600 Automatic Power Factor Correction Capacitor Systems

Product Description

- Programmable to automatically add/subtract capacitor stages to maintain preset target power factor
- Three-phase capacitor cell construction
- Two-year warranty of cells against manufacturing defects
- Cool operating, 100% copper wound, thermal-protected reactors are sized up to 150% of rated capacitor current (AUTOVAR detuned filter only)

Application Description

- Service entrance or substation power factor correction installations requiring precise maintenance of target power factor (AUTOVAR 600)
- Service entrance or substation power factor correction installations requiring precise maintenance of target power factor in three-phase, nonlinear, high harmonic environments (AUTOVAR detuned filter)
- Typically connected at main low voltage switchgear

Features

Configuration

- **Cabinet:** 12 gauge steel with ANSI 61 gray, baked finish. Removable lift bolts standard, NEMA 1 (gasketed)
- **Power line interconnect:** Rugged, copper busbar connection with access provided for top entry. Contact factory for availability of bottom entry. Busbars are braced for 65 kA (optional 100 kA rating available). All internal power wiring connections from bus are laid out on a most direct basis with minimum bends for ease of troubleshooting. Clear barrier limiting access to live parts included standard
- **Modular tray design:** Capacitor stages arranged in modular trays with capacitors, fuses, cleared-fuse indicating lights, and contactors grouped in a logical, easily understood layout. This permits easy access, quick identification of operating problems, and ease of expandability
- **Fusing:** UL recognized, 200,000 A interrupting capacity provided on all three phases of each stage. Blade-type fuses mounted on insulator stand-offs

- **Cleared-fuse indicating lights:** LEDs located door-mounted and neon at individual fuses to facilitate tracing of cleared fuses
- **Push-to-test:** Allows testing of door-mounted LED cleared fuse indicating lights
- **AutoLocate:** When door is open and bus is energized, fuse circuit automatically checks for cleared fuses. If a fuse has cleared, the light at the fuse turns on for easy troubleshooting
- **Door interlock:** Door interlock automatically turns off control circuit when engaged. Power continues to be provided to the unit until disconnect is open
- **Exhaust fans:** Two side louver fans per cabinet provide cooling and reduce operator exposure to discharge. Replaceable dust filtering provided. Dust filters can be replaced without opening cabinet
- **Ease of expansion:** Capacitor stage nests are self-contained and can be added in the field. Two bolts mount the nest in the field. Control wire plugs connect to factory standard wire harness on the left side of the cabinet
- **Ease of replacement:** Cells can be easily replaced individually by removing the mounting bolt and lifting out of the nest without removal of any other components
- **Thermal sensing:** Built-in thermal sensing, alarming, and protection feature allows the unit to operate in optimal temperature while alerting the user of ambient temperature exceeding the nominal operating range. Stages will be automatically switched off if temperature exceeds the maximum specified temperature
- **Temperature range:** The operating temperature range is -20 °C to +46 °C, and the storage temperature range is -40 °C to +55 °C. For optimal equipment life, the temperature should not exceed 35 °C annual average, and the environment should not exceed Pollution Degree 2 as defined in UL 61010-1

Controller

- Visual indication of incorrect CT polarity
- Digital display of power factor and number of energized stages
- Automatic setting of c/k value (sensitivity based on CT ratio and kvar available)
- Visual indication of insufficient kvar to reach target power factor
- Automatic sensing of kvar values per step
- Optional communications capable controller (RS-485/Modbus)
- Standard metering capability:
 - Voltage
 - Current (sensed phase only)
 - Frequency
 - Active power (kW)
 - Reactive power (kvar)
 - Apparent power (kVA)
 - Total voltage harmonic distortion (VTHD)
 - Individual harmonic voltage distortion (odd orders up to the 19th harmonic)
- Built-in manual mode allows for testing and manual operation of stages
- Multiple user-friendly alarm displays. Controller provides easy-to-understand alarms for various conditions, such as:
 - Undervoltage or overvoltage
 - Undercurrent or overcurrent
 - Target power factor not met
 - Harmonic overload
 - Faulty step/stages
 - Overtemperature alarm

Contactors

- Fully rated for capacitor switching
- Integral pre-charge/pre-insertion module standard. The contactor reduces damaging switching transients, providing safety and durability for the system
 - Lessens the chance of disrupting sensitive electronic equipment
 - Reduced inrush current extends the life of the capacitor cells

Reactors

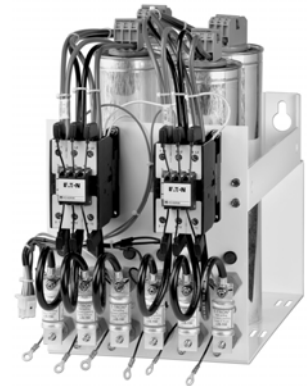
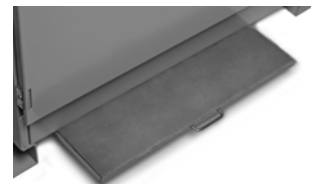
- **Detuning:** Standard reactor designs are detuned to the 4.2nd harmonic and recommended to protect capacitors against harmonic resonance. Detuning to the 4.7th harmonic is available as an option. The harmonic spectrum should be evaluated for applications involving reactors detuned to the 4.7th harmonic to ensure optimal equipment life, specifically when used in conjunction with six-pulse motor drives
- **Windings:** 80 °C temperature rise design 100% copper windings for minimal losses
- **Thermal overload protection:** Each reactor includes three normally closed, auto reset thermostats that open at 180 °C. When thermostats engage, the contactor opens
- **Insulation:** 220 °C insulation system
- **Warranty:** One-year replacement of reactors

Additional Features

- Optional molded-case main circuit breaker
- Ground fault interruption provides protection in case of accidental contact with control power and ground
- Control wiring—standard NEC color-coded modular bundles with quick disconnect feature for ease of troubleshooting or ease of expendability. UL type MTW/AWM, CSA TEW 105 °C copper wire is standard.
- Optional digital metering—IQ 250
- Mechanical wire lugs are included as standard equipment. Typical phase lugs range from (2) 6 AWG–350 kcmil to (4) 3 AWG–750 MCM. Typical ground lug can accept wire from 6 AWG to 350 kcmil. Lugs are compatible with copper wire 90 °C
- Heavy-duty capacitor cells are standard on AUTOVAR detuned filter and optional on AUTOVAR 600. For 480 V units, standard-duty cells are 525 V rated, and heavy-duty cells are 600 V rated

Support and service

- Renewal parts are available through local Eaton distributors
- Factory trained service personnel are available through Eaton's Electrical Services & Systems

**AUTOVAR 600—Interior View****Modular Step Nest Assembly****Dust Filter Tray****Standards and Certifications**

- Entire cabinet assembly is UL 508A and CSA C22.2 No. 190 Listed
- Capacitors are UL 810 recognized
- Contactor is UL/CSA recognized and IEC 6b rated



Listed

Product Selection**Options—AUTOVAR 600 and AUTOVAR Detuned Filter**

Description	Option Code
Remote alarm relay terminal block—relay terminal block for a remote alarm to indicate controller alarm status	A
Fully insulated main bus	B
Communicating PF controller (Modbus RS-485)	C
Hand-off-auto switch provides manual control to connect or disconnect capacitor stages regardless of controller output ^①	H
Integrated main breaker	M
Integrated main breaker with high interrupting rating (see breaker table for more information), includes 100 kA busbar bracing	M1
100 kA busbar bracing	N1
Integrated CVX series surge protection, without sine wave tracking	T1
Integrated SPD series surge protection, 160 kA per phase, with sine wave tracking	T2
IQ 250 electronic meter ^②	Q
Weather resistant enclosure (NEMA 3R gasketed) ^③	W
Standard filter detuned to the 4.2nd harmonic ^④	Y

Notes

- ① Manual control is always available through menu controller on system, even if the H option is not selected.
- ② Not available on NEMA 3R units (W option).
- ③ Only available on AUTOVAR 600 with heavy-duty cells and AUTOVAR detuned filters using 'L + L', 'L + KK', and 'KK + KK' enclosures.
- ④ Tuning to the 4.2nd harmonic is the preferred option. Other tunings available. Contact Eaton's Technical Resource Center (TRC) power factor application engineers at 1-800-809-2772, choose option #4, then option #2.

To calculate AUTOVAR 600 or AUTOVAR detuned filter weight:

Obtain base unit weight from tables on **Pages V3-T2-72–V3-T2-74** (as appropriate).

Add option weights as necessary:

A = 1 lb (0.5 kg)

B = 10 lb (4.5 kg)

C = 1 lb (0.5 kg)

H = 10 lb (4.5 kg)

M = Circuit breaker weight (see circuit breaker table)

M1 = 10 lb (4.5 kg) hardware weight adder plus circuit breaker weight (see circuit breaker table)

N1 = 10 lb (4.5 kg)

T1 = 5 lb (2.3 kg)

T2 = 10 lb (4.5 kg)

Q = 5 lb (2.3 kg)

W = 10 lb (4.5 kg) per door

Y = 0 lb (0 kg)

2.2

SPD, Power Conditioning, PF Capacitors and Harmonic Filters

Power Factor Correction and Harmonic Filtering

2

AUTOVAR 600 Floor-Mounted Switched Capacitor Banks Units with Standard-Duty Cells—Low Voltage Applications

kvar ^①	Step x kvar	Rated Current Amperes	Base Shipping Weight in Lb (kg)	Base Catalog Number
240 Vac				
75	3 x 25	180	644 (292.4)	75TPCSR231
100	4 x 25	240	692 (314.2)	100TPCSR231
125	5 x 25	300	740 (336.0)	125TPCSR231
150	6 x 25	361	788 (357.8)	150TPCSR231
200	8 x 25	481	884 (401.3)	200TPCSR231
250	10 x 25	600	944 (428.6)	250TPCSR231
300	12 x 25	720	1022 (464.0)	300TPCSR231
350	7 x 50	844	1616 (734.0)	350TPCSR231
400	8 x 50	965	1704 (774.0)	400TPCSR231
480 Vac				
100	2 x 50	120	588 (266.7)	100TPCSR431
150	3 x 50	180	632 (287.0)	150TPCSR431
200	4 x 50	240	676 (306.9)	200TPCSR431
250	5 x 50	300	720 (326.9)	250TPCSR431
300	6 x 50	360	764 (346.9)	300TPCSR431
350	7 x 50	420	808 (366.8)	350TPCSR431
400	8 x 50	480	852 (386.8)	400TPCSR431
450	9 x 50	540	896 (406.8)	450TPCSR431
500	10 x 50	600	944 (428.6)	500TPCSR431
550	11 x 50	660	984 (446.7)	550TPCSR431
600	12 x 50	720	1022 (464.0)	600TPCSR431
660	11 x 60	792	1010 (458.5)	660TPCSR431
700	7 x 100	840	1616 (734.0)	700TPCSR431
720	12 x 60	864	1050 (476.7)	720TPCSR431
800	8 x 100	960	1704 (774.0)	800TPCSR431
900	9 x 100	1080	1792 (814.0)	900TPCSR431
1000	10 x 100	1200	1888 (857.0)	1000TPCSR431
1100	11 x 100	1320	1966 (893.0)	1100TPCSR431
1200	12 x 100	1440	2044 (928.0)	1200TPCSR431
600 Vac				
100	2 x 50	46	588 (266.7)	100TPCSR631
150	3 x 50	144	632 (287.0)	150TPCSR631
200	4 x 50	192	676 (306.9)	200TPCSR631
250	5 x 50	240	720 (326.9)	250TPCSR631
300	6 x 50	288	764 (346.9)	300TPCSR631
350	7 x 50	336	808 (366.8)	350TPCSR631
400	8 x 50	384	852 (386.8)	400TPCSR631
450	9 x 50	432	896 (406.8)	450TPCSR631
500	10 x 50	480	944 (428.6)	500TPCSR631
550	11 x 60	528	984 (446.7)	550TPCSR631
600	12 x 50	576	1022 (464.0)	600TPCSR631
660	11 x 60	634	1010 (458.5)	660TPCSR631
700	7 x 100	672	1616 (734.0)	700TPCSR631
720	12 x 60	692	1050 (476.7)	720TPCSR631
800	8 x 100	768	1704 (774.0)	800TPCSR631
900	9 x 100	864	1792 (814.0)	900TPCSR631
1000	10 x 100	960	1888 (857.0)	1000TPCSR631
1100	11 x 100	1056	1966 (893.0)	1100TPCSR631
1200	12 x 100	1152	2044 (928.0)	1200TPCSR631

AUTOVAR 600 Sizing Chart for Units with Standard-Duty Cells

kvar	Step x kvar	Enclosure Size ^②	
		NEMA 1, without Main Breaker, No Suffix	NEMA 1, with Main Breaker, M Suffix
240 V			
75	3 x 25	L	L
100	4 x 25	L	L
125	5 x 25	L	L
150	6 x 25	L	L
200	8 x 25	L	L
250	10 x 25	L	L
300	12 x 25	L	L
350	7 x 50	KK	KK
400	8 x 50	KK	C/F
480 V			
100	2 x 50	L	L
150	3 x 50	L	L
200	4 x 50	L	L
250	5 x 50	L	L
300	6 x 50	L	L
350	7 x 50	L	L
400	8 x 50	L	L
450	9 x 50	L	L
500	10 x 50	L	L
550	11 x 50	L	L
600	12 x 50	L	L
660	11 x 60	L	L
700	14 x 50	KK	KK
720	12 x 60	L	L
800	8 x 100	KK	C/F
900	9 x 100	KK	C/F
1000	10 x 100	KK	C/F
1100	11 x 100	KK	C/F
1200	12 x 100	KK	C/F
600 V			
100	2 x 50	L	L
150	3 x 50	L	L
200	4 x 50	L	L
250	5 x 50	L	L
300	6 x 50	L	L
350	7 x 50	L	L
400	8 x 50	L	L
450	9 x 50	L	L
500	10 x 50	L	L
550	11 x 50	L	L
600	12 x 50	L	L
660	11 x 60	L	L
700	14 x 50	KK	KK
720	12 x 60	L	L
800	8 x 100	KK	KK
900	9 x 100	KK	KK
1000	10 x 100	KK	C/F
1100	11 x 100	KK	C/F
1200	12 x 100	KK	C/F

Notes

- ① Other ratings available. Please consult factory. kvar output is voltage and frequency dependent. 60 Hz units are shown. For other voltages and frequencies, consult Eaton Technical Resource Center (TRC) at 1-800-809-2772, choose option #4, then option #2.
- ② Enclosure sizing for units with integrated surge protection or bottom entry can vary and may not be available on all kvar sizes. Contact Eaton's Technical Resource Center at 1-800-809-2772, choose option #4, then option #2.

C/F = Consult factory



AUTOVAR 600 Floor-Mounted Switched Capacitor Banks Units with Heavy-Duty Cells— Low Voltage Applications

kvar ^①	Step x kvar	Rated Current Amperes	Base Shipping Weight in Lb (kg)	Base Catalog Number
240 Vac				
75	3 x 25	180	659 (298.9)	75TPHSR231
100	4 x 25	240	712 (323.0)	100TPHSR231
125	5 x 25	300	765 (347.0)	125TPHSR231
150	6 x 25	361	818 (371.0)	150TPHSR231
200	8 x 25	481	924 (419.1)	200TPHSR231
250	10 x 25	601	994 (450.9)	250TPHSR231
300	12 x 25	720	1082 (490.8)	300TPHSR231
350	7 x 50	844	1686 (764.8)	350TPHSR231
400	8 x 50	965	1784 (809.2)	400TPHSR231
480 Vac				
100	2 x 50	120	617 (279.9)	100TPHSR431
150	3 x 50	180	677 (307.1)	150TPHSR431
200	4 x 50	240	736 (333.8)	200TPHSR431
250	5 x 50	300	795 (360.6)	250TPHSR431
300	6 x 50	360	854 (387.4)	300TPHSR431
350	7 x 50	420	913 (414.1)	350TPHSR431
400	8 x 50	480	972 (440.9)	400TPHSR431
450	9 x 50	540	1031 (467.7)	450TPHSR431
500	10 x 50	600	1094 (496.2)	500TPHSR431
550	11 x 50	660	1149 (521.2)	550TPHSR431
600	12 x 50	720	1202 (545.2)	600TPHSR431
700	14 x 50	792	1826 (828.3)	700TPHSR431
800	8 x 100	462	1944 (881.8)	800TPHSR431
900	9 x 100	1083	2062 (935.3)	900TPHSR431
1000	10 x 100	1203	2198 (997.0)	1000TPHSR431
1100	11 x 100	1323	2296 (1041.4)	1100TPHSR431
1200	12 x 100	1443	2404 (1090.4)	1200TPHSR431
600 Vac				
100	2 x 50	96	617 (279.9)	100TPHSR631
150	3 x 50	144	677 (307.1)	150TPHSR631
200	4 x 50	192	736 (333.8)	200TPHSR631
250	5 x 50	240	795 (360.6)	250TPHSR631
300	6 x 50	288	854 (387.4)	300TPHSR631
350	7 x 50	336	913 (414.1)	350TPHSR631
400	8 x 50	384	972 (440.9)	400TPHSR631
450	9 x 50	432	1031 (467.7)	450TPHSR631
500	10 x 50	480	1094 (496.2)	500TPHSR631
550	11 x 60	529	1149 (521.2)	550TPHSR631
600	12 x 50	576	1202 (545.2)	600TPHSR631
700	7 x 100	672	1826 (828.3)	700TPHSR631
800	8 x 100	768	1944 (881.8)	800TPHSR631
900	9 x 100	864	2062 (935.3)	900TPHSR631
1000	10 x 100	962	2198 (997.0)	1000TPHSR631
1100	11 x 100	1058	2296 (1041.4)	1100TPHSR631
1200	12 x 100	1155	2404 (1090.4)	1200TPHSR631

AUTOVAR 600 Sizing Chart for Units with Heavy-Duty Cells

kvar	Step x kvar	Enclosure Size ^②			
		NEMA 1, without Main Breaker, No Suffix	NEMA 1, with Main Breaker, M Suffix	NEMA 3R, without Main Breaker, W Suffix	NEMA 3R, with Main Breaker, MW Suffix
240 V					
75	3 x 25	L	L	L	L
100	4 x 25	L	L	L	L
125	5 x 25	L	L	L	L
150	6 x 25	L	L	L	L
200	8 x 25	L	L	L	L
250	10 x 25	L	L	L	L
300	12 x 25	L	L	L	L
350	7 x 50	L	KK	KK	KK
400	8 x 50	KK	C/F	KK	C/F
480 V					
100	2 x 50	L	L	L	L
150	3 x 50	L	L	L	L
200	4 x 50	L	L	L	L
250	5 x 50	L	L	L	L
300	6 x 50	L	L	L	L
350	7 x 50	L	L	L	L
400	8 x 50	L	L	L	L
450	9 x 50	L	L	L	L
500	10 x 50	L	L	L	L
550	11 x 50	L	L	L	L
600	12 x 50	L	L	L	L
700	14 x 50	KK	KK	KK	KK
800	8 x 100	KK	C/F	KK	C/F
900	9 x 100	KK	C/F	KK	C/F
1000	10 x 100	KK	C/F	KK	C/F
1100	11 x 100	KK	C/F	KK	C/F
1200	12 x 100	KK	C/F	KK	C/F
600 V					
100	2 x 50	L	L	L	L
150	3 x 50	L	L	L	L
200	4 x 50	L	L	L	L
250	5 x 50	L	L	L	L
300	6 x 50	L	L	L	L
350	7 x 50	L	L	L	L
400	8 x 50	L	L	L	L
450	9 x 50	L	L	L	L
500	10 x 50	L	L	L	L
550	11 x 50	L	L	L	L
600	12 x 50	L	L	L	L
700	14 x 50	KK	KK	KK	KK
800	8 x 100	KK	KK	KK	KK
900	9 x 100	KK	KK	KK	KK
1000	10 x 100	KK	C/F	KK	C/F
1100	11 x 100	KK	C/F	KK	C/F
1200	12 x 100	KK	C/F	KK	C/F

Notes

- ① Other ratings available. Please consult factory. kvar output is voltage and frequency dependent. 60 Hz units are shown. For other voltages and frequencies, consult Eaton Technical Resource Center (TRC) at 1-800-809-2772, choose option #4, then option #2.
- ② Enclosure sizing for units with integrated surge protection or bottom entry can vary and may not be available on all kvar sizes. Contact Eaton's Technical Resource Center at 1-800-809-2772, choose option #4, then option #2.

C/F = Consult factory

2.2

SPD, Power Conditioning, PF Capacitors and Harmonic Filters

Power Factor Correction and Harmonic Filtering

2

Floor-Mounted Switched Detuned Filters—Low Voltage

kvar ^①	Step x kvar	Rated Current Amperes	Base Shipping Weight in Lb (kg)	Base Catalog Number
240 Vac				
150	6 x 25	361	1830 (830.8)	150THFSR232Y
200	8 x 25	481	2222 (1008.8)	200THFSR232Y
250	10 x 25	601	2525 (1146.4)	250THFSR232Y
300	12 x 25	720	2830 (1284.8)	300THFSR232Y
350	7 x 50	844	3090 (1401.6)	350THFSR231Y
400	8 x 50	965	3560 (1614.8)	400THFSR232Y
480 Vac				
100	2 x 50	120	1105 (501.2)	100THFSR431Y
150	3 x 50	180	1242 (564.6)	150THFSR431Y
200	4 x 50	240	1438 (652.9)	200THFSR431Y
250	5 x 50	300	1634 (741.8)	250THFSR431Y
300	6 x 50	360	1830 (830.8)	300THFSR432Y
350	7 x 50	420	2026 (919.8)	350THFSR432Y
400	8 x 50	480	2222 (1008.8)	400THFSR432Y
450	9 x 50	540	2371 (1076.4)	450THFSR432Y
500	10 x 50	600	2525 (1146.4)	500THFSR432Y
550	11 x 50	660	2750 (1248.5)	550THFSR432Y
600	12 x 50	720	2830 (1284.8)	600THFSR432Y
700	7 x 100	792	3090 (1401.6)	700THFSR431Y
800	8 x 100	962	3560 (1614.8)	800THFSR432Y
900	9 x 100	1083	3900 (1769.0)	900THFSR432Y
1000	10 x 100	1203	4240 (1923.2)	1000THFSR432Y
1100	11 x 100	1323	4500 (2041.2)	1100THFSR432Y
600 Vac				
100	2 x 50	96	1105 (501.2)	100THFSR631Y
150	3 x 50	144	1242 (564.6)	150THFSR631Y
200	4 x 50	192	1438 (652.9)	200THFSR631Y
250	5 x 50	240	1634 (741.8)	250THFSR631Y
300	6 x 50	288	1830 (830.8)	300THFSR632Y
350	7 x 50	336	2026 (919.8)	350THFSR632Y
400	8 x 50	384	2222 (1008.8)	400THFSR632Y
450	9 x 50	432	2371 (1076.4)	450THFSR632Y
500	10 x 50	480	2525 (1146.4)	500THFSR632Y
550	11 x 50	529	2750 (1248.5)	550THFSR632Y
600	12 x 50	576	2830 (1284.8)	600THFSR632Y
700	7 x 100	672	3090 (1401.6)	700THFSR631Y
800	8 x 100	768	3560 (1614.8)	800THFSR632Y
900	9 x 100	864	3900 (1769.0)	900THFSR632Y
1000	10 x 100	962	4240 (1923.2)	1000THFSR632Y
1100	11 x 100	1058	4500 (2041.2)	1100THFSR632Y

AUTOVAR Detuned Filter Sizing Chart

kvar	Step x kvar	Enclosure Size ^②			
		NEMA 1 without Main Breaker, No Suffix	NEMA 1 with Main Breaker, M Suffix	NEMA 3R without Main Breaker, W Suffix	NEMA 3R with Main Breaker, MW Suffix
240 V					
150	6 x 25	L + L ^③	L + L ^③	L + L ^③	L + L ^③
200	8 x 25	L + L ^③	L + L ^③	L + L ^③	L + L ^③
250	10 x 25	L + L ^③	L + L ^③	L + L ^③	L + L ^③
300	12 x 25	L + L ^③	KK	L + L ^③	KK
350	7 x 50	KK	L + KK ^③	L + KK ^③	KK
400	8 x 50	L + KK ^③	C/F	L + KK ^③	C/F
480 V					
100	2 x 50	L	L	L + L ^③	L + L ^③
150	3 x 50	L	L	L + L ^③	L + L ^③
200	4 x 50	L	L	L + L ^③	L + L ^③
250	5 x 50	L	L + L ^③	L + L ^③	L + L ^③
300	6 x 50	L + L ^③	L + L ^③	L + L ^③	L + L ^③
350	7 x 50	L + L ^③	L + L ^③	L + L ^③	L + L ^③
400	8 x 50	L + L ^③	L + L ^③	L + L ^③	L + L ^③
450	9 x 50	L + L ^③	L + L ^③	L + L ^③	L + L ^③
500	10 x 50	L + L ^③	L + L ^③	L + L ^③	L + L ^③
550	11 x 50	L + L ^③	KK	L + L ^③	L + KK ^③
600	12 x 50	L + L ^③	KK	L + L ^③	L + KK ^③
700	7 x 100	KK	KK	L + KK ^③	L + KK ^③
800	8 x 100	L + KK ^③	C/F	L + KK ^③	C/F
900	9 x 100	KK + KK ^③	C/F	KK + KK ^③	C/F
1000	10 x 100	KK + KK ^③	C/F	KK + KK ^③	C/F
1100	11 x 100	KK + KK ^③	C/F	KK + KK ^③	C/F
600 V					
100	2 x 50	L	L	L + L ^③	L + L ^③
150	3 x 50	L	L	L + L ^③	L + L ^③
200	4 x 50	L	L	L + L ^③	L + L ^③
250	5 x 50	L	L + L ^③	L + L ^③	L + L ^③
300	6 x 50	L + L ^③	L + L ^③	L + L ^③	L + L ^③
350	7 x 50	L + L ^③	L + L ^③	L + L ^③	L + L ^③
400	8 x 50	L + L ^③	L + L ^③	L + L ^③	L + L ^③
450	9 x 50	L + L ^③	L + L ^③	L + L ^③	L + L ^③
500	10 x 50	L + L ^③	L + L ^③	L + L ^③	L + L ^③
550	11 x 50	L + L ^③	KK	L + L ^③	L + KK ^③
600	12 x 50	L + L ^③	KK	L + L ^③	L + KK ^③
700	7 x 100	KK	KK	L + KK ^③	L + KK ^③
800	8 x 100	L + KK ^③	L + KK ^③	L + KK ^③	L + KK ^③
900	9 x 100	KK + KK ^③	KK + KK ^③	KK + KK ^③	KK + KK ^③
1000	10 x 100	KK + KK ^③	C/F	KK + KK ^③	C/F
1100	11 x 100	KK + KK ^③	C/F	KK + KK ^③	C/F

Notes

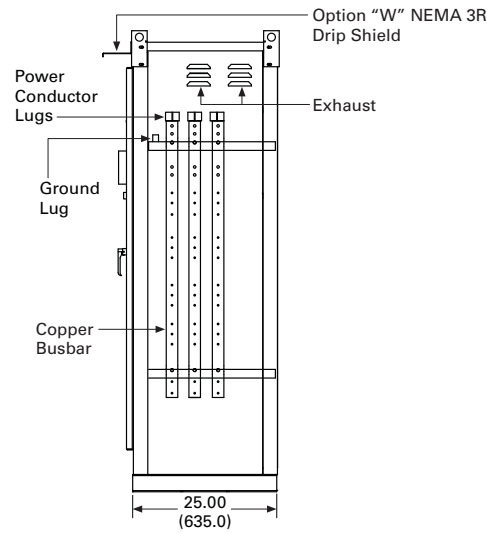
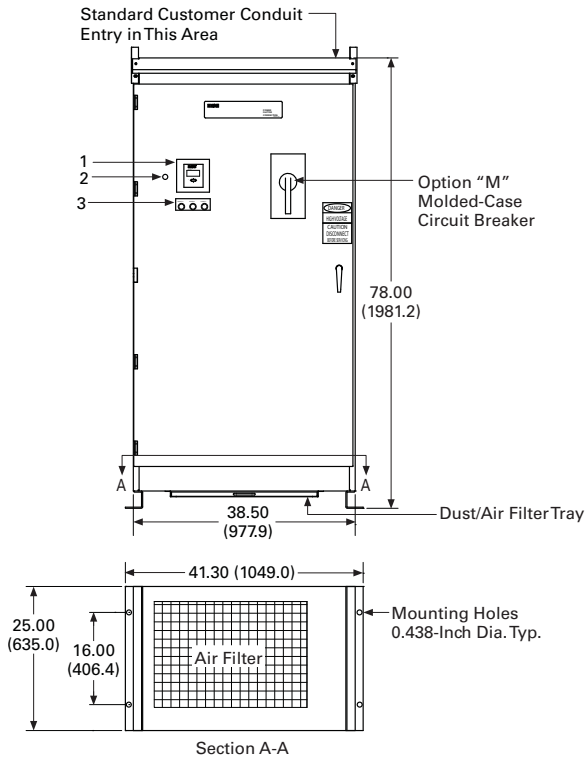
- ① kvar output is voltage and frequency dependent. 60 Hz units are shown. For other voltages and frequencies, consult Eaton Technical Resource Center (TRC) at 1-800-809-2772, choose option #4, then option #2.
- ② Enclosure sizing for units with integrated surge protection or bottom entry can vary and may not be available on all kvar sizes. Contact Eaton's Technical Resource Center at 1-800-809-2772, choose option #4, then option #2.
- ③ Dual enclosure design requires customer installation of factory supplied interconnecting wires.

C/F = Consult factory

Dimensions

Approximate Dimensions in Inches (mm)

Enclosure L Front View



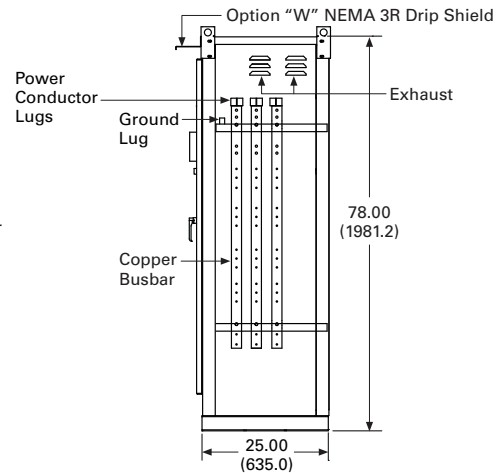
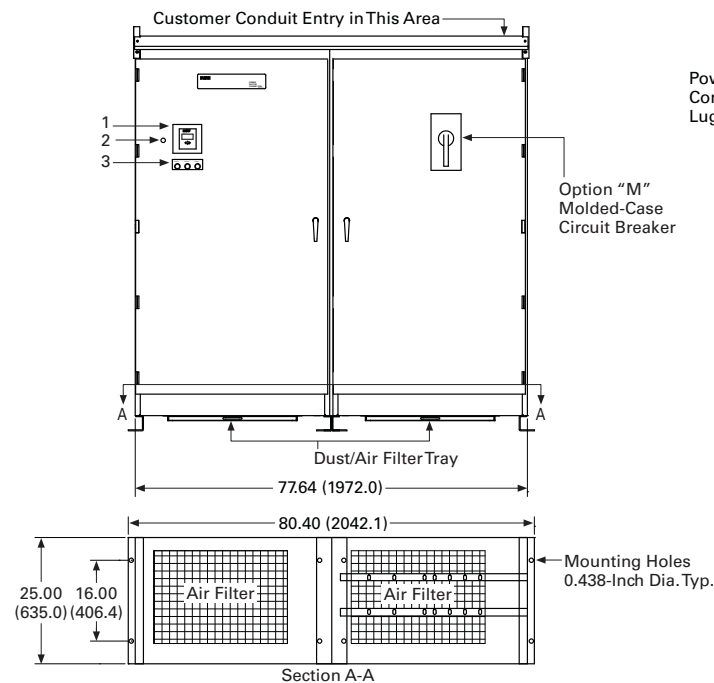
Legend

1. Controller
2. On/Off Switch
3. Cleared Fuse Indicating Lights

Notes:

1. 6-Inch Minimum Clearance Each Side
2. 45-Inch Front Clearance or per Local Code

Enclosure KK Front and Side Views



Legend

1. Controller
2. On/Off Switch
3. Cleared Fuse Indicating Lights

Notes:

1. 6-Inch Minimum Clearance Each Side
2. 45-Inch Front Clearance or per Local Code

AUTOVAR Filter



Contents

<i>Description</i>	<i>Page</i>
Product Overview	V3-T2-51
UNIPUMP	V3-T2-53
UNIPAK	V3-T2-56
AUTOVAR 300 Automatic Power Factor Correction Capacitor Systems	V3-T2-65
AUTOVAR 600 Automatic Power Factor Correction Capacitor Systems	V3-T2-69
AUTOVAR Filter—LV Automatic Detuned Filter Standards and Certifications	V3-T2-77
Product Selection	V3-T2-78
Dimensions	V3-T2-80
Transient-Free Static Switching Power Factor Correction Units	V3-T2-83
HCU2 Harmonic Correction Unit.	V3-T2-85
HCUn Harmonic Correction Unit.	V3-T2-89

AUTOVAR Filter—LV Automatic Detuned Filter

Product Description

- Programmable to automatically add/subtract capacitor stages to maintain preset target power factor
- Three-phase capacitor cell construction
- Five-year warranty of cells against manufacturing defects
- Cool operating, 100% copper wound, thermal-protected reactors are sized up to 150% of rated capacitor current (AUTOVAR detuned filter only)

Application Description

- Service entrance or substation power factor correction installations requiring precise maintenance of target power factor (AUTOVAR 600)
- Service entrance or substation power factor correction installations requiring precise maintenance of target power factor in three-phase, nonlinear, high harmonic environments (AUTOVAR detuned filter)
- Typically connected at main low voltage switchgear

Features

Configuration

- **Cabinet:** 12 gauge steel with ANSI 61 gray, baked finish. Removable lift bolts standard, NEMA 1 (gasketed)
- **Power line interconnect:** Rugged, copper busbar connection with access provided for top entry. Contact factory for availability of bottom entry. Busbars are braced for 65 kA (optional 100 kA rating available). All internal power wiring connections from bus are laid out on a most direct basis with minimum bends for ease of troubleshooting. Clear barrier limiting access to live parts included standard
- **Modular tray design:** Capacitor stages arranged in modular trays with capacitors, fuses, cleared-fuse indicating lights, and contactors grouped in a logical, easily understood layout. This permits easy access, quick identification of operating problems, and ease of expandability
- **Fusing:** UL recognized, 200,000 A interrupting capacity provided on all three phases of each stage. Blade-type fuses mounted on insulator stand-offs

- **Cleared-fuse indicating lights:** LEDs located door-mounted and neon at individual fuses to facilitate tracing of cleared fuses
- **Push-to-test:** Allows testing of door-mounted LED cleared fuse indicating lights
- **AutoLocate:** When door is open and bus is energized, fuse circuit automatically checks for cleared fuses. If a fuse has cleared, the light at the fuse turns on for easy troubleshooting
- **Door interlock:** Door interlock automatically turns off control circuit when engaged. Power continues to be provided to the unit until disconnect is open
- **Exhaust fans:** Two side louver fans per cabinet provide cooling and reduce operator exposure to discharge. Replaceable dust filtering provided. Dust filters can be replaced without opening cabinet
- **Ease of expansion:** Capacitor stage nests are self-contained and can be added in the field. Two bolts mount the nest in the field. Control wire plugs connect to factory standard wire harness on the left side of the cabinet
- **Ease of replacement:** Cells can be easily replaced individually by removing the mounting bolt and lifting out of the nest without removal of any other components
- **Thermal sensing:** Built-in thermal sensing, alarming, and protection feature allows the unit to operate in optimal temperature while alerting the user of ambient temperature exceeding the nominal operating range. Stages will be automatically switched off if temperature exceeds the maximum specified temperature
- **Temperature range:** The operating temperature range is -20 °C to +46 °C, and the storage temperature range is -40 °C to +55 °C. For optimal equipment life, the temperature should not exceed 35 °C annual average, and the environment should not exceed Pollution Degree 2 as defined in UL 61010-1

Controller

- Visual indication of incorrect CT polarity
- Digital display of power factor and number of energized stages
- Automatic setting of c/k value (sensitivity based on CT ratio and kvar available)
- Visual indication of insufficient kvar to reach target power factor
- Automatic sensing of kvar values per step
- Optional communications capable controller (RS-485/Modbus)
- Standard metering capability:
 - Voltage
 - Current (sensed phase only)
 - Frequency
 - Active power (kW)
 - Reactive power (kvar)
 - Apparent power (kVA)
 - Total voltage harmonic distortion (VTHD)
 - Individual harmonic voltage distortion (odd orders up to the 19th harmonic)
- Built-in manual mode allows for testing and manual operation of stages
- Multiple user-friendly alarm displays. Controller provides easy-to-understand alarms for various conditions, such as:
 - Undervoltage or overvoltage
 - Undercurrent or overcurrent
 - Target power factor not met
 - Harmonic overload
 - Faulty step/stages
 - Overtemperature alarm

Contactors

- Fully rated for capacitor switching
- Integral pre-charge/pre-insertion module standard. The contactor reduces damaging switching transients, providing safety and durability for the system
 - Lessens the chance of disrupting sensitive electronic equipment
 - Reduced inrush current extends the life of the capacitor cells

Reactors

- **Detuning:** Standard reactor designs are detuned to the 4.2nd harmonic and recommended to protect capacitors against harmonic resonance. Detuning to the 4.7th harmonic is available as an option. The harmonic spectrum should be evaluated for applications involving reactors detuned to the 4.7th harmonic to ensure optimal equipment life, specifically when used in conjunction with six-pulse motor drives
- **Windings:** 80 °C temperature rise design 100% copper windings for minimal losses
- **Thermal overload protection:** Each reactor includes three normally closed, auto reset thermostats that open at 180 °C. When thermostats engage, the contactor opens
- **Insulation:** 220 °C insulation system
- **Warranty:** One-year replacement of reactors

Additional Features

- Optional molded-case main circuit breaker
- Ground fault interruption provides protection in case of accidental contact with control power and ground
- Control wiring—standard NEC color-coded modular bundles with quick disconnect feature for ease of troubleshooting or ease of expendability. UL type MTW/AWM, CSA TEW 105 °C copper wire is standard.
- Optional digital metering—IQ 250
- Mechanical wire lugs are included as standard equipment. Typical phase lugs range from (2) 6 AWG–350 kcmil to (4) 3 AWG–750 MCM. Typical ground lug can accept wire from 6 AWG to 350 kcmil. Lugs are compatible with copper wire 90 °C
- Heavy-duty capacitor cells are standard on AUTOVAR detuned filter and optional on AUTOVAR 600. For 480 V units, standard-duty cells are 525 V rated, and heavy-duty cells are 600 V rated

Support and service

- Renewal parts are available through local Eaton distributors
- Factory trained service personnel are available through Eaton's Electrical Services & Systems

**AUTOVAR Filter—Reactor Cabinet****Standards and Certifications**

- Entire cabinet assembly is UL 508A and CSA C22.2 No. 190 Listed
- Capacitors are UL 810 recognized
- Contactor is UL/CSA recognized and IEC 6b rated



Product Selection

2

Options—AUTOVAR 600 and AUTOVAR Detuned Filter

Description	Option Code
Remote alarm relay terminal block—relay terminal block for a remote alarm to indicate controller alarm status	A
Fully insulated main bus	B
Communicating PF controller (Modbus RS-485)	C
Hand-off-auto switch provides manual control to connect or disconnect capacitor stages regardless of controller output ^①	H
Integrated main breaker	M
Integrated main breaker with high interrupting rating (see breaker table for more information), includes 100 kA busbar bracing	M1
100 kA busbar bracing	N1
Integrated CVX series surge protection, without sine wave tracking	T1
Integrated SPD series surge protection, 160 kA per phase, with sine wave tracking	T2
IQ 250 electronic meter ^②	Q
Weather resistant enclosure (NEMA 3R gasketed) ^③	W
Standard filter detuned to the 4.2nd harmonic ^④	Y

Notes

- ① Manual control is always available through menu controller on system, even if the H option is not selected.
- ② Not available on NEMA 3R units (W option).
- ③ Only available on AUTOVAR 600 with heavy-duty cells and AUTOVAR detuned filters using 'L + L', 'L + KK', and 'KK + KK' enclosures.
- ④ Tuning to the 4.2nd harmonic is the preferred option. Other tunings available. Contact Eaton's Technical Resource Center (TRC) power factor application engineers at 1-800-809-2772, choose option #4, then option #2.

To calculate AUTOVAR 600 or AUTOVAR detuned filter weight:

Obtain base unit weight from table on **Page V3-T2-79** (as appropriate).

Add option weights as necessary:

A = 1 lb (0.5 kg)

B = 10 lb (4.5 kg)

C = 1 lb (0.5 kg)

H = 10 lb (4.5 kg)

M = Circuit breaker weight (see circuit breaker table)

M1 = 10 lb (4.5 kg) hardware weight adder plus circuit breaker weight (see circuit breaker table)

N1 = 10 lb (4.5 kg)

T1 = 5 lb (2.3 kg)

T2 = 10 lb (4.5 kg)

Q = 5 lb (2.3 kg)

W = 10 lb (4.5 kg) per door

Y = 0 lb (0 kg)

Floor-Mounted Switched Detuned Filters—Low Voltage

kvar ^①	Step x kvar	Rated Current Amperes	Base Shipping Weight in Lb (kg)	Base Catalog Number
240 Vac				
150	6 x 25	361	1830 (830.8)	150THFSR232Y
200	8 x 25	481	2222 (1008.8)	200THFSR232Y
250	10 x 25	601	2525 (1146.4)	250THFSR232Y
300	12 x 25	720	2830 (1284.8)	300THFSR232Y
350	7 x 50	844	3090 (1401.6)	350THFSR231Y
400	8 x 50	965	3560 (1614.8)	400THFSR232Y
480 Vac				
100	2 x 50	120	1105 (501.2)	100THFSR431Y
150	3 x 50	180	1242 (564.6)	150THFSR431Y
200	4 x 50	240	1438 (652.9)	200THFSR431Y
250	5 x 50	300	1634 (741.8)	250THFSR431Y
300	6 x 50	360	1830 (830.8)	300THFSR432Y
350	7 x 50	420	2026 (919.8)	350THFSR432Y
400	8 x 50	480	2222 (1008.8)	400THFSR432Y
450	9 x 50	540	2371 (1076.4)	450THFSR432Y
500	10 x 50	600	2525 (1146.4)	500THFSR432Y
550	11 x 50	660	2750 (1248.5)	550THFSR432Y
600	12 x 50	720	2830 (1284.8)	600THFSR432Y
700	7 x 100	792	3090 (1401.6)	700THFSR431Y
800	8 x 100	962	3560 (1614.8)	800THFSR432Y
900	9 x 100	1083	3900 (1769.0)	900THFSR432Y
1000	10 x 100	1203	4240 (1923.2)	1000THFSR432Y
1100	11 x 100	1323	4500 (2041.2)	1100THFSR432Y
600 Vac				
100	2 x 50	96	1105 (501.2)	100THFSR631Y
150	3 x 50	144	1242 (564.6)	150THFSR631Y
200	4 x 50	192	1438 (652.9)	200THFSR631Y
250	5 x 50	240	1634 (741.8)	250THFSR631Y
300	6 x 50	288	1830 (830.8)	300THFSR632Y
350	7 x 50	336	2026 (919.8)	350THFSR632Y
400	8 x 50	384	2222 (1008.8)	400THFSR632Y
450	9 x 50	432	2371 (1076.4)	450THFSR632Y
500	10 x 50	480	2525 (1146.4)	500THFSR632Y
550	11 x 50	529	2750 (1248.5)	550THFSR632Y
600	12 x 50	576	2830 (1284.8)	600THFSR632Y
700	7 x 100	672	3090 (1401.6)	700THFSR631Y
800	8 x 100	768	3560 (1614.8)	800THFSR632Y
900	9 x 100	864	3900 (1769.0)	900THFSR632Y
1000	10 x 100	962	4240 (1923.2)	1000THFSR632Y
1100	11 x 100	1058	4500 (2041.2)	1100THFSR632Y

AUTOVAR Detuned Filter Sizing Chart

kvar	Step x kvar	Enclosure Size ^②			
		NEMA 1 without Main Breaker, No Suffix	NEMA 1 with Main Breaker, M Suffix	NEMA 3R without Main Breaker, W Suffix	NEMA 3R with Main Breaker, MW Suffix
240 V					
150	6 x 25	L + L ^③	L + L ^③	L + L ^③	L + L ^③
200	8 x 25	L + L ^③	L + L ^③	L + L ^③	L + L ^③
250	10 x 25	L + L ^③	L + L ^③	L + L ^③	L + L ^③
300	12 x 25	L + L ^③	KK	L + L ^③	KK
350	7 x 50	KK	L + KK ^③	L + KK ^③	KK
400	8 x 50	L + KK ^③	C/F	L + KK ^③	C/F
480 V					
100	2 x 50	L	L	L + L ^③	L + L ^③
150	3 x 50	L	L	L + L ^③	L + L ^③
200	4 x 50	L	L	L + L ^③	L + L ^③
250	5 x 50	L	L + L ^③	L + L ^③	L + L ^③
300	6 x 50	L + L ^③	L + L ^③	L + L ^③	L + L ^③
350	7 x 50	L + L ^③	L + L ^③	L + L ^③	L + L ^③
400	8 x 50	L + L ^③	L + L ^③	L + L ^③	L + L ^③
450	9 x 50	L + L ^③	L + L ^③	L + L ^③	L + L ^③
500	10 x 50	L + L ^③	L + L ^③	L + L ^③	L + L ^③
550	11 x 50	L + L ^③	KK	L + L ^③	L + KK ^③
600	12 x 50	L + L ^③	KK	L + L ^③	L + KK ^③
700	7 x 100	KK	KK	L + KK ^③	L + KK ^③
800	8 x 100	L + KK ^③	C/F	L + KK ^③	C/F
900	9 x 100	KK + KK ^③	C/F	KK + KK ^③	C/F
1000	10 x 100	KK + KK ^③	C/F	KK + KK ^③	C/F
1100	11 x 100	KK + KK ^③	C/F	KK + KK ^③	C/F
600 V					
100	2 x 50	L	L	L + L ^③	L + L ^③
150	3 x 50	L	L	L + L ^③	L + L ^③
200	4 x 50	L	L	L + L ^③	L + L ^③
250	5 x 50	L	L + L ^③	L + L ^③	L + L ^③
300	6 x 50	L + L ^③	L + L ^③	L + L ^③	L + L ^③
350	7 x 50	L + L ^③	L + L ^③	L + L ^③	L + L ^③
400	8 x 50	L + L ^③	L + L ^③	L + L ^③	L + L ^③
450	9 x 50	L + L ^③	L + L ^③	L + L ^③	L + L ^③
500	10 x 50	L + L ^③	L + L ^③	L + L ^③	L + L ^③
550	11 x 50	L + L ^③	KK	L + L ^③	L + KK ^③
600	12 x 50	L + L ^③	KK	L + L ^③	L + KK ^③
700	7 x 100	KK	KK	L + KK ^③	L + KK ^③
800	8 x 100	L + KK ^③	L + KK ^③	L + KK ^③	L + KK ^③
900	9 x 100	KK + KK ^③	KK + KK ^③	KK + KK ^③	KK + KK ^③
1000	10 x 100	KK + KK ^③	C/F	KK + KK ^③	C/F
1100	11 x 100	KK + KK ^③	C/F	KK + KK ^③	C/F

Notes

- ① kvar output is voltage and frequency dependent. 60 Hz units are shown. For other voltages and frequencies, consult Eaton Technical Resource Center (TRC) at 1-800-809-2772, choose option #4, then option #2.
 - ② Enclosure sizing for units with integrated surge protection or bottom entry can vary and may not be available on all kvar sizes. Contact Eaton's Technical Resource Center at 1-800-809-2772, choose option #4, then option #2.
 - ③ Dual enclosure design requires customer installation of factory supplied interconnecting wires.
- C/F = Consult factory



2.2

SPD, Power Conditioning, PF Capacitors and Harmonic Filters

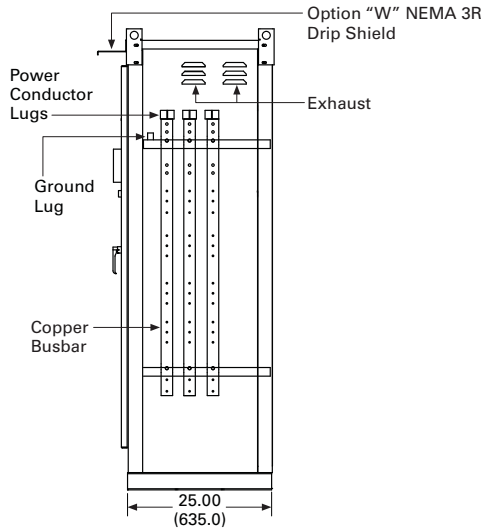
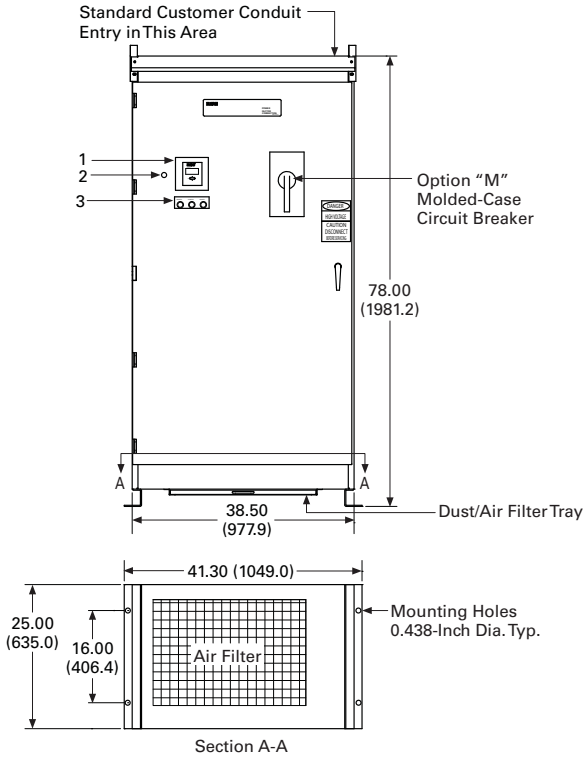
Power Factor Correction and Harmonic Filtering

Dimensions

Approximate Dimensions in Inches (mm)

2

AUTOVAR "L" (Single Door) Enclosure



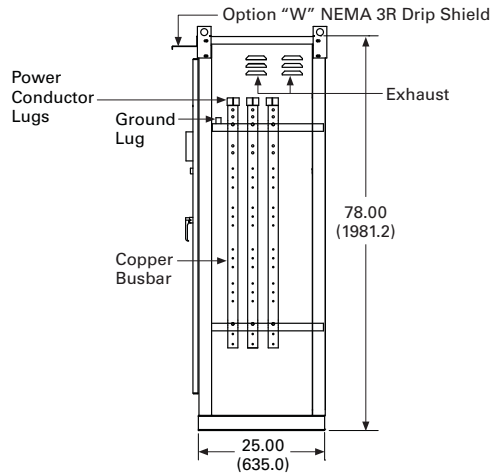
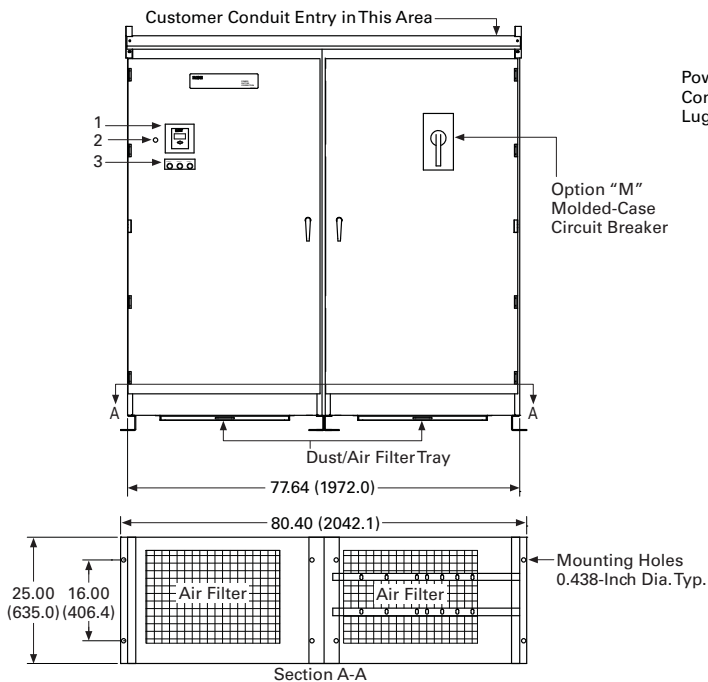
Legend

1. Controller
2. On/Off Switch
3. Cleared Fuse Indicating Lights

Notes:

1. 6-Inch Minimum Clearance Each Side
2. 45-Inch Front Clearance or per Local Code

AUTOVAR "KK" (Double Door) Enclosure



Legend

1. Controller
2. On/Off Switch
3. Cleared Fuse Indicating Lights

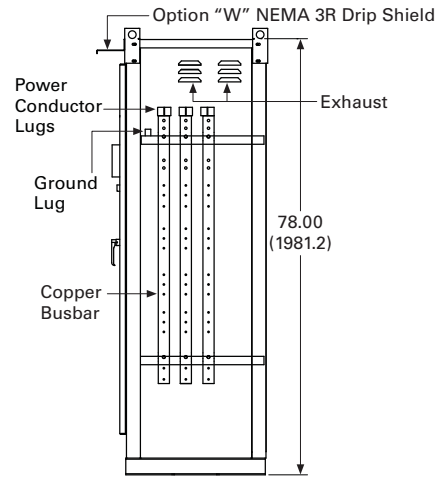
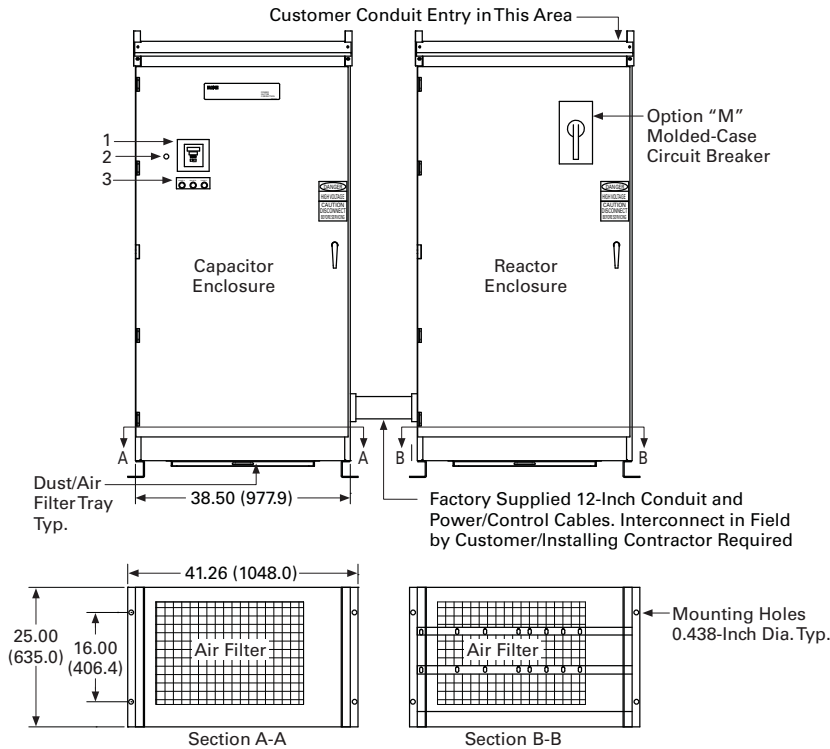
Notes:

1. 6-Inch Minimum Clearance Each Side
2. 45-Inch Front Clearance or per Local Code

Approximate Dimensions in Inches (mm)

AUTOVAR "L + L" (2 Single Door) Enclosures

2



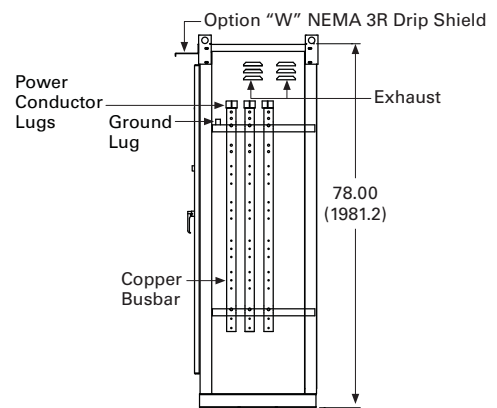
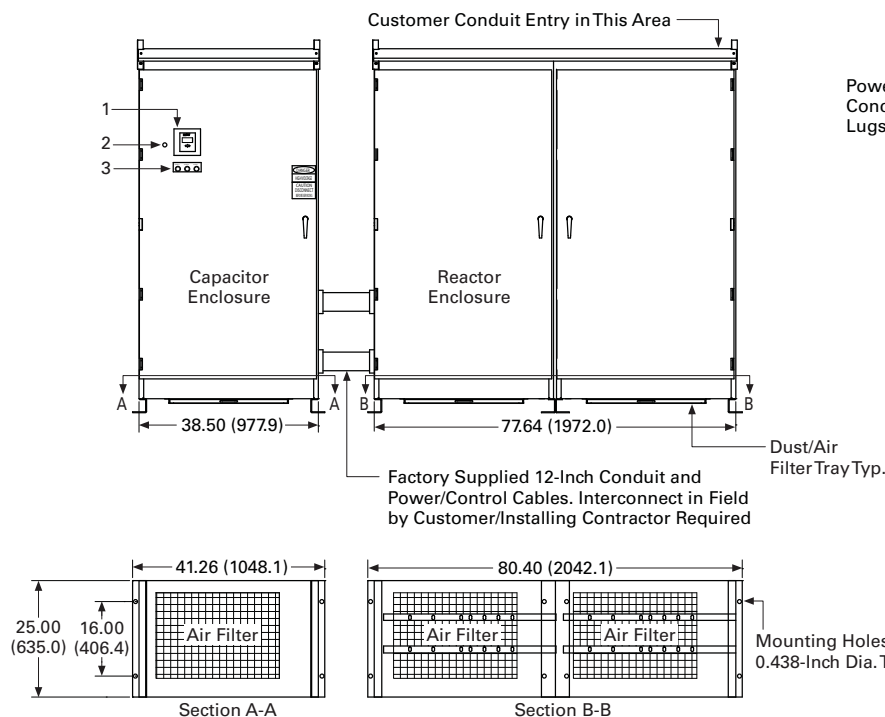
Legend

- 1. Controller
- 2. On/Off Switch
- 3. Cleared Fuse Indicating Lights

Notes:

- 1. 6-Inch Minimum Clearance Each Side
- 2. 45-Inch Front Clearance or per Local Code
- 3. 12-Inch Minimum Separation Between Enclosures

L + KK Enclosure (AUTOVAR Detuned Filter Only)



Legend

- 1. Controller
- 2. On/Off Switch
- 3. Cleared Fuse Indicating Lights

Notes:

- 1. 6-Inch Minimum Clearance Each Side
- 2. 45-Inch Front Clearance or per Local Code
- 3. 12-Inch Minimum Separation Between Enclosures

2.2

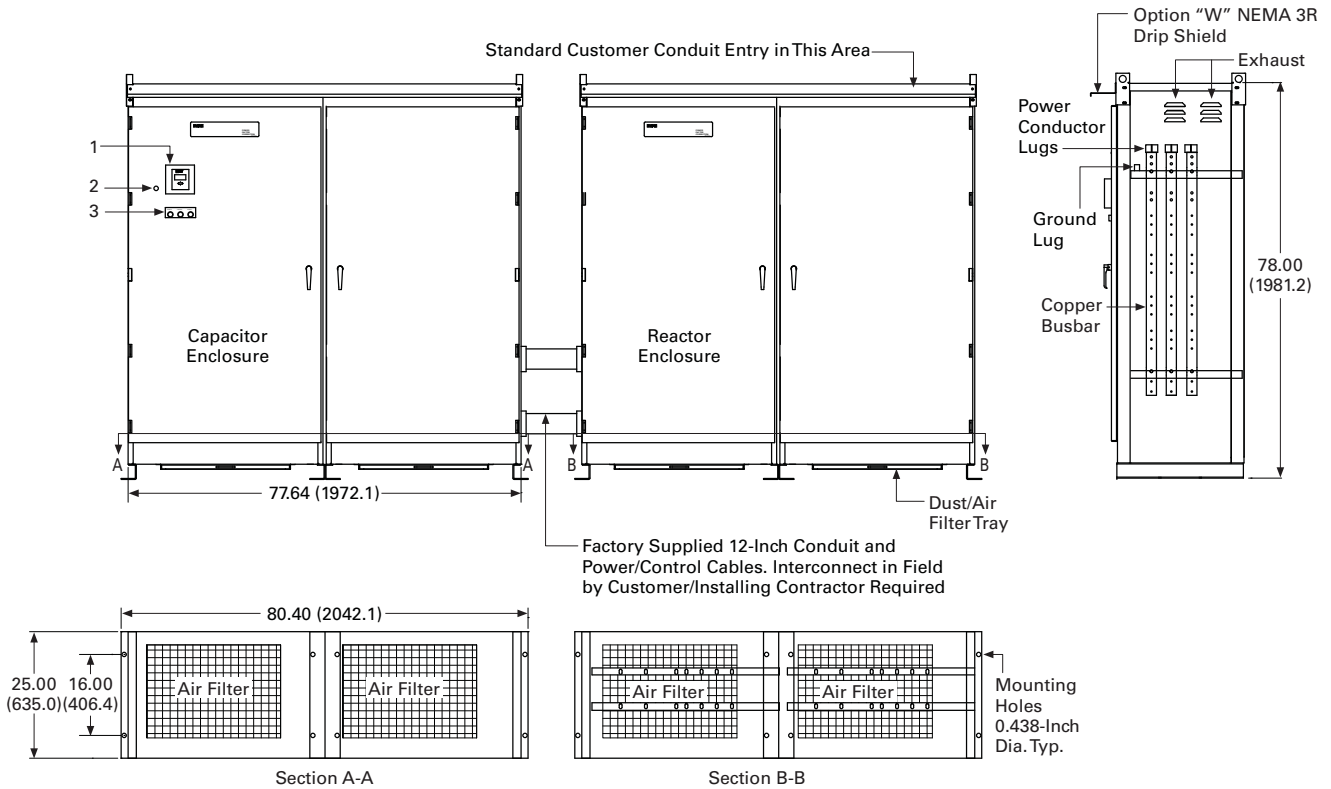
SPD, Power Conditioning, PF Capacitors and Harmonic Filters

Power Factor Correction and Harmonic Filtering

Approximate Dimensions in Inches (mm)

2

AUTOVAR "KK + KK" Enclosures



Legend

1. Controller
2. On/Off Switch
3. Cleared Fuse Indicating Lights

Notes:

1. 6-Inch Minimum Clearance Each Side
2. 45-Inch Front Clearance or per Local Code
3. 12-Inch Minimum Separation Between Enclosures

Transient-Free Power Factor Correction System



Contents

<i>Description</i>	<i>Page</i>
Product Overview	V3-T2-51
UNIPUMP	V3-T2-53
UNIPAK	V3-T2-56
AUTOVAR 300 Automatic Power Factor Correction Capacitor Systems	V3-T2-65
AUTOVAR 600 Automatic Power Factor Correction Capacitor Systems	V3-T2-69
AUTOVAR Filter—LV Automatic Detuned Filter	V3-T2-76
Transient-Free Static Switching Power Factor Correction Units	
Product Selection	V3-T2-84
HCU2 Harmonic Correction Unit	V3-T2-85
HCU1 Harmonic Correction Unit	V3-T2-89

Transient-Free Static Switching Power Factor Correction Units

Product Description

Transient-free statically switch capacitor units are available in two models.

The FTE model is a real-time transient-free system, used to compensate extremely rapid loads within one cycle of operation (typically 5–20 msec).

The FTA model is a fast transient-free system, used to compensate any loads within 3–4 seconds.

The FTA and FTE units employ a fast or real-time response, and include the ability to switch larger steps without creating significant line noise. These relatively maintenance-free units reside in a smaller footprint and are ideal for use in applications such as flicker control, large motor starting, bus voltage stabilization, fault ride-through solutions, power factor correction and many more.

Application Description

- Motor starting
- On-site generation support
- Spot welding
- Wind turbines
- Other dynamic loads

Three current transformers with a 5 ampere secondary are required to operate this capacitor bank.

Rating based on Service Entrance Ampacity. For other ratios, please consult factory.

- Startup and Commissioning by factory trained personnel is required for proper operation and warranty of this system

Standards and Certifications

Enclosure

- EMC—EN50081-2, EN50082-2, EN55011, EN61000-4-2/3/4/5, ENV50204, ENV50141
- CE Mark—73/23/EEC am. 93/68, 98/37/EC art. 4(2)
- Safety—EN61010-1, EN60439-1, EN60204
- UL 508
- CSA



Product Selection

2

Transient-free reactive power compensation systems

The transient-free systems are custom engineered to order.

The Eaton transient-free statically switched capacitor systems represent the “next level” of power system enhancements by using semi-conductor devices to switch capacitors at the same potential or zero potential difference, thereby eliminating the possible problem of transients caused by capacitor switching and increasing the speed of capacitive var compensation.

This level of performance is needed when high-current loads rapidly switch on and off and require power factor, voltage flicker, sag, or harmonic improvement. These disturbances can be found in many industries, including rockcrushing, arc-welding, plastic injection molding, and crane applications.

Please call Eaton’s Technical Resource Center at 1-800-809-2772, option #4, suboption #2 to discuss your application. See TD02607012E for additional technical information on Eaton’s transient-free reactive power compensation systems. Pricing and availability is available through Eaton’s Technical Resource Center. Please fill out the following questionnaire before requesting a quotation.

Transient-Free Reactive Power Compensation Systems Questionnaire

Type of industry	_____	(Automotive, alternative energy, lumber, etc.)
Type of application	_____	(Welding, wind turbine, sawmill, etc.)
Project objectives	_____	(PF correction, voltage control, reactive power control, damping of power oscillations, unbalance control, motor starting)
Amount of kvar required (if known)	_____	kvar (300 to 3000 kvar)
Nominal system voltage	_____	V
Nominal system frequency	_____	Hz
Integral main breaker needed	_____	(Yes/No)
Harmonic tuning order required (if known)	_____	(2.67, 3.8, 4.5, or other)
Compensation time required (if known)	_____	(3–4 seconds or 5–20 milliseconds)

HCU2 Active Harmonic Filters



Contents

Description	Page
Product Overview	V3-T2-51
UNIPUMP	V3-T2-53
UNIPAK	V3-T2-56
AUTOVAR 300 Automatic Power Factor Correction Capacitor Systems	V3-T2-65
AUTOVAR 600 Automatic Power Factor Correction Capacitor Systems	V3-T2-69
AUTOVAR Filter—LV Automatic Detuned Filter	V3-T2-76
Transient-Free Static Switching Power Factor Correction Units	V3-T2-83
HCU2 Harmonic Correction Unit Catalog Number Selection	V3-T2-86
Technical Data and Specifications	V3-T2-86

HCU2 Harmonic Correction Unit

Product Description

Eaton’s HCU2 active harmonic filters are engineered to provide dynamic harmonic correction by actively injecting the required currents into an electrical distribution system to cancel the entire spectrum of harmonic currents at the point of connection.

HMI Home Screen Shot



Application Description

Typical applications include locations with large amounts of nonlinear loads including 6- and 12-pulse PWM alternating current (AC) variable frequency drives, direct current (DC) drives, as well as other switch-mode power supply equipment. This equipment can be found in water and wastewater treatment facilities, industrial manufacturing and warehousing plants, military bases and commercial locations.

Unlike passive filters, Eaton’s HCU2 can provide effective harmonic correction for varying load conditions and harmonic spectrums by providing dynamic correction up to their rated capacity. The HCU2 also has the secondary benefit of providing power factor correction with any excess capacity after correcting all harmonic conditions.

Features, Benefits and Functions

- Fast-acting harmonic correction
- NEMA 1, NEMA 2, NEMA 12, IP31, IP54 enclosures, and chassis mount versions available
- 60, 120, 200 and 300 A units available (ampere rating given at 380–480 V)
- Touchscreen human machine interface (HMI)
- Communications connectivity
- Designed for use in environmentally controlled conditions
- Can be sized to meet specific levels of harmonic correction, providing compliance with IEEE® 519 recommended levels
- Engineered to prevent overloading
- Scalable design can be expanded without impacting performance
- Broad spectrum of cancellation for robust protection (2nd to 51st harmonic)
- Helps improve power factor to maximize efficiency
- Easier and less expensive installation than passive filters, as active filter design reduces the need for detailed engineering studies
- HMI provides comprehensive control through icon-driven interface

Improvements from HCUE to HCU2

- Closed loop control: A higher degree of harmonic correction is available with closed loop control than open loop control
- Reduced kW losses: Lower kW losses result in lower operating expenses and reduced requirements for equipment room HVAC systems. The maximum heat loss for a 300 A, 480 V unit is 7.1 kW
- Reduced footprint: Wall-mounted 480 V NEMA® 1 units are available in 60, 120, 200 and 300 A ratings
- Ease of maintenance and service: A standard USB service port is provided for firmware updates

Standards and Certifications

- UL/CSA approved



2.2

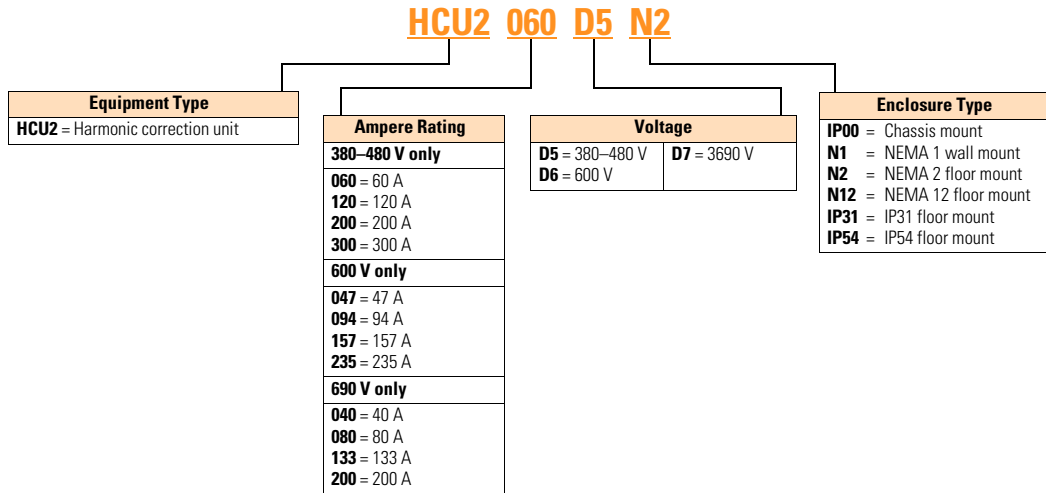
SPD, Power Conditioning, PF Capacitors and Harmonic Filters

Power Factor Correction and Harmonic Filtering

Catalog Number Selection

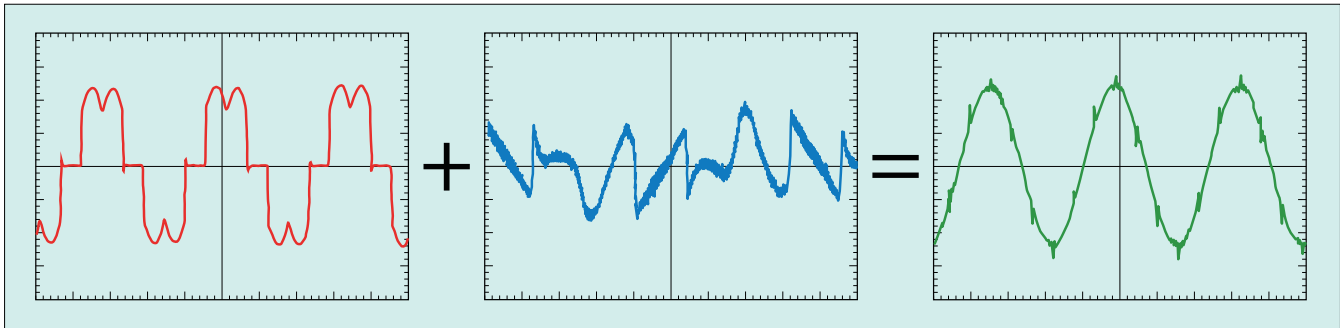
2

HCU2 Harmonic Correction Unit

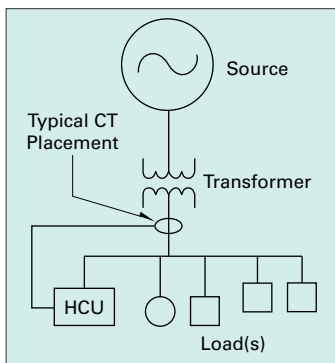


Technical Data and Specifications

Typical Uncorrected 6-Pulse Rectifier (Before) Current + HCU2 Injection Current = Corrected (After) Current



Recommended Placement



Eaton HCU2 Specifications

Specification	Description
Technical Specifications	
Standard rms output current ratings	60 A, 120 A, 200 A, 300 A at 380 Vac to 480 Vac 47 A, 94 A, 157 A, 235 A at 600 Vac 40 A, 80 A, 133 A, 200 A at 690 Vac
Nominal frequency	50/60 Hz, ± 3 Hz auto sensing
Number of phases	3-phase
Topology	Digital harmonic FFT Digital reactive power
Losses	To 480 Vac <3%; to 690 Vac <5%
CT VA loading	1.0 VA (5 A CT secondary)
Spectrum cancellation	2nd to 51st, discrete; fully selectable per harmonic order (amplitude and on/off)
Control basis	Closed loop (for new installations) Open loop compatible for retrofit applications
Harmonic attenuation	Closed loop: <3% THD(i); max. 20:1 THD(i) reduction with load harmonic current above 50% of HCU2 rating Open loop: <5% TDD Requires 3% or higher inductive impedance per nonlinear load
Harmonic operational features	% THDi set point % THDv set point
Harmonic avoidance	Output at specific harmonic order turned off if resonance or lack-of impedance detected; or manually turned off
Parallel operation	Up to 10 units per set of CT (to 51st order), any size combination Backward compatibility with Eaton HCUE operated in parallel Contact Eaton for applications of more than 10 units
Parallel operation options	Master/master Master/slave Multi-master/multi-slave Same as Eaton HCUE for retrofits
Parallel sequence options	Lead/lag with unit rotation: one unit operates to full capacity before next unit turns on; timed rotation Load share: All operating units function at the same output percentage
Parallel HMI control	Any unit permits viewing and changing parameter settings of complete system or any other unit in parallel system
Parallel communications	Proprietary COM bus between operating units
Power factor correction	Optimized unity PF, leading (capacitive) or lagging (inductive) power factor (Cos f) to target
Control response time	25 μ s
Harmonic correction time	2 cycles
Reactive correction time	1/4 cycle
Display	144 mm QVGA TFT 64k-color touchscreen
Display parameters	Hundreds of parameters are available. Examples include THDi, THDv, oscilloscope for viewing many selected parameters, phasor diagrams, load power, measured currents for I _h , I _s , I _f , I _{neg seq} , PF (Cos f), injected currents for I _h , I _{reactive} , I _{neg seq} , etc.

Specification	Description
Technical Specifications (Continued)	
Communications capability	Modbus RTU, Modbus TCP/IP
Discrete input/outputs	4 input and 4 output dry contacts; assignable
Noise level (ISO3746)	<70 dB at 1 meter from unit surface
Earthing (grounding) systems	EMC filter ground switch for Isolated Terra, high resistance
Environmental Condition	
Operating temperature	0 °C to 40 °C
Relative humidity	0–95%, noncondensing
Seismic rating	Complies with IBC and ASCE7
Operating altitude	1000 m, (derate 1%/100 m above), maximum 4800 m
Automatic rollback of output	Occurs whenever heatsink temperature sensor exceeds temperature limit
Ambient temperature protection	Absolute shutdown if air inlet temperature reaches 51 °C
Preset output limits (rms)	Programmable set limit due to altitude or ambient temperature—becomes fixed output limit
Reference Standards	
Design	CE EMC Certification IEC/EN 60439-1, EN 61000-6-4 Class A, EN 61000-6-2
Protection (enclosure)	IP00, IP20, IP31, IP54, NEMA 1, NEMA 2, NEMA 12, UL Type Open (chassis mount)
Standards compliance/certification	cULus (UL 508, CSA 22.2 No. 14) CE Certified, ABS, Lloyds, other local standards
Installation	
Wall mount	Chassis mount (UL Type open) and NEMA 1 configurations
Free-standing	IP31, IP54, NEMA 2 and NEMA 12
Circuit protection	NEMA 1 and chassis mount—external means required Free-standing enclosures—incoming circuit breaker with mechanical door interlock
AIC rating (input circuit breaker)	To 415 Vac—200 kA cULus; 125 kA IEC To 480 Vac—200 kA cULus; 75 kA IEC To 600 Vac—100 kA cULus; 100 kA IEC To 690 Vac—No cULus; 100 kA IEC
Cable entry	Wall mount and chassis mount—bottom only Free-standing—top and bottom entry through gland plates
PCBA protection	Conformal coating on all PCBs Pollution Degree 2
Cooling configuration	Separate air plenums for heatsink section and PCBA section: Heatsink (high heat plenum) input from bottom and exhaust out top. All components in high heat plenum rated IP54 or better \geq no filtering required PCBA air supply must be clean and dry (filtering may be required) No conductive particles permitted

2.2

SPD, Power Conditioning, PF Capacitors and Harmonic Filters

Power Factor Correction and Harmonic Filtering

Harmonic Correction Unit Ratings

2

Model	Voltage (V)	Frequency (Hz)	Total Current Amperes (rms)	Watt Losses (kW)	HCU2 Enclosure Type	Version	Integral Disconnect
HCU2060D5N1	380-480	50/60	60	1.3	Wall mount NEMA 1	UL/CSA	No
HCU2120D5N1	380-480	50/60	120	2.8	Wall mount NEMA 1	UL/CSA	No
HCU2200D5N1	380-480	50/60	200	5.4	Wall mount NEMA 1	UL/CSA	No
HCU2300D5N1	380-480	50/60	300	7.1	Wall mount NEMA 1	UL/CSA	No
HCU2060D5IP00	380-480	50/60	60	1.3	Chassis mount	UL/CSA	No
HCU2120D5IP00	380-480	50/60	120	2.8	Chassis mount	UL/CSA	No
HCU2200D5IP00	380-480	50/60	200	5.4	Chassis mount	UL/CSA	No
HCU2300D5IP00	380-480	50/60	300	7.1	Chassis mount	UL/CSA	No
HCU2060D5IP31	380-480	50/60	60	1.3	Floor mount IP31	CE	Yes
HCU2120D5IP31	380-480	50/60	120	2.8	Floor mount IP31	CE	Yes
HCU2200D5IP31	380-480	50/60	200	5.4	Floor mount IP31	CE	Yes
HCU2300D5IP31	380-480	50/60	300	7.1	Floor mount IP31	CE	Yes
HCU2060D5N2	380-480	50/60	60	1.3	Floor mount NEMA 2	UL/CSA	Yes
HCU2120D5N2	380-480	50/60	120	2.8	Floor mount NEMA 2	UL/CSA	Yes
HCU2200D5N2	380-480	50/60	200	5.4	Floor mount NEMA 2	UL/CSA	Yes
HCU2300D5N2	380-480	50/60	300	7.1	Floor mount NEMA 2	UL/CSA	Yes
HCU2060D5N12	380-480	50/60	60	1.3	Floor mount NEMA 12	UL/CSA	Yes
HCU2120D5N12	380-480	50/60	120	2.8	Floor mount NEMA 12	UL/CSA	Yes
HCU2200D5N12	380-480	50/60	200	5.4	Floor mount NEMA 12	UL/CSA	Yes
HCU2300D5N12	380-480	50/60	300	7.1	Floor mount NEMA 12	UL/CSA	Yes
HCU2060D5IP54	380-480	50/60	60	1.3	Floor mount IP54	CE	Yes
HCU2120D5IP54	380-480	50/60	120	2.8	Floor mount IP54	CE	Yes
HCU2200D5IP54	380-480	50/60	200	5.4	Floor mount IP54	CE	Yes
HCU2300D5IP54	380-480	50/60	300	7.1	Floor mount IP54	CE	Yes
HCU2047D6IP31	600	50/60	47	1.8	Floor mount IP31	CE	Yes
HCU2094D6IP31	600	50/60	94	3.9	Floor mount IP31	CE	Yes
HCU2157D6IP31	600	50/60	157	7.2	Floor mount IP31	CE	Yes
HCU2235D6IP31	600	50/60	235	9.9	Floor mount IP31	CE	Yes
HCU2047D6N2	600	50/60	47	1.8	Floor mount NEMA 2	UL/CSA	Yes
HCU2094D6N2	600	50/60	94	3.9	Floor mount NEMA 2	UL/CSA	Yes
HCU2157D6N2	600	50/60	157	7.2	Floor mount NEMA 2	UL/CSA	Yes
HCU2235D6N2	600	50/60	235	9.9	Floor mount NEMA 2	UL/CSA	Yes
HCU2047D6IP54	600	50/60	47	1.8	Floor mount IP54	CE	Yes
HCU2094D6IP54	600	50/60	94	3.9	Floor mount IP54	CE	Yes
HCU2157D6IP54	600	50/60	157	7.2	Floor mount IP54	CE	Yes
HCU2235D6IP54	600	50/60	235	9.9	Floor mount IP54	CE	Yes
HCU2047D6N12	600	50/60	47	1.8	Floor mount NEMA 12	UL/CSA	Yes
HCU2094D6N12	600	50/60	94	3.9	Floor mount NEMA 12	UL/CSA	Yes
HCU2157D6N12	600	50/60	157	7.2	Floor mount NEMA 12	UL/CSA	Yes
HCU2235D6N12	600	50/60	235	9.9	Floor mount NEMA 12	UL/CSA	Yes
HCU2040D7IP31	690	50/60	40	2.1	Floor mount IP31	CE	Yes
HCU2080D7IP31	690	50/60	80	4.5	Floor mount IP31	CE	Yes
HCU2133D7IP31	690	50/60	133	8.2	Floor mount IP31	CE	Yes
HCU2200D7IP31	690	50/60	200	11.4	Floor mount IP31	CE	Yes
HCU2040D7N2	690	50/60	40	2.1	Floor mount NEMA 2	UL/CSA	Yes
HCU2080D7N2	690	50/60	80	4.5	Floor mount NEMA 2	UL/CSA	Yes
HCU2133D7N2	690	50/60	133	8.2	Floor mount NEMA 2	UL/CSA	Yes
HCU2200D7N2	690	50/60	200	11.4	Floor mount NEMA 2	UL/CSA	Yes
HCU2040D7IP54	690	50/60	40	2.1	Floor mount IP54	CE	Yes
HCU2080D7IP54	690	50/60	80	4.5	Floor mount IP54	CE	Yes
HCU2133D7IP54	690	50/60	133	8.2	Floor mount IP54	CE	Yes
HCU2200D7IP54	690	50/60	200	11.4	Floor mount IP54	CE	Yes
HCU2040D7N12	690	50/60	40	2.1	Floor mount NEMA 12	UL/CSA	Yes
HCU2080D7N12	690	50/60	80	4.5	Floor mount NEMA 12	UL/CSA	Yes
HCU2133D7N12	690	50/60	133	8.2	Floor mount NEMA 12	UL/CSA	Yes
HCU2200D7N12	690	50/60	200	11.4	Floor mount NEMA 12	UL/CSA	Yes

HCU_n Active Harmonic Filters



Contents

<i>Description</i>	<i>Page</i>
Product Overview	V3-T2-51
UNIPUMP	V3-T2-53
UNIPAK	V3-T2-56
AUTOVAR 300 Automatic Power Factor Correction Capacitor Systems	V3-T2-65
AUTOVAR 600 Automatic Power Factor Correction Capacitor Systems	V3-T2-69
AUTOVAR Filter—LV Automatic Detuned Filter	V3-T2-76
Transient-Free Static Switching Power Factor Correction Units	V3-T2-83
HCU2 Harmonic Correction Unit	V3-T2-85
HCU _n Harmonic Correction Unit	
Catalog Number Selection	V3-T2-90
Product Selection	V3-T2-90
Technical Data	V3-T2-91
Dimensions	V3-T2-93
Accessories	V3-T2-94

HCU_n Harmonic Correction Unit

Product Description

Eaton's HCU_n is a high-performance active harmonic filtering solution for building and commercial applications. The HCU_n provides reliability and efficiency for your electrical system as well as prolonged equipment life and increased uptime.

Application Description

- Airport terminals
- Railway terminals
- Universities
- Hospitals
- Casinos
- Data center SMPS loads
- Commercial space SMPS loads
- LED and CFL loads

Features, Benefits and Functions

- Employ digital logic and IGBT semiconductors to synthesize a current waveform that is injected into the electrical network to cancel harmonic currents caused by nonlinear loads
- Utilize current transformers to measure the load current to determine the content of harmonic current present
- Mitigate network harmonic currents, thus reducing the heating effects of harmonic current and reducing voltage distortion
- Have the ability to correct for poor displacement power factor (DPF) and for mains current balancing
- NEMA 1 and IP00 enclosure styles are available; chassis mount open chassis designs can be installed in other types of enclosures such as motor control centers
- Can be powered by three-phase conductors to provide corrective current for Line-to-Line connected loads or by three-phase conductors and neutral to provide correction for Line-to-Line and Line-to-Neutral connected loads

Standards and Certifications

Design reference

- IEC 62477-1, IEC 61439-1
- EN 61000-6-2, EN 61000-6-4 Class A
- ISO 9001
- IEEE Std 519-2014

EMC compliance

- EN 61000-6-4 Class A (Emissions)
- EN 61000-6-2 (Immunity)

Seismic compliance

- IBC 2015
- ICC-ES AC156 (SDS = 2.47 g)

Product certification

- CE certified
- RCM
- EAC
- RoHS
- IBC
- UL/CSA approved



2.2

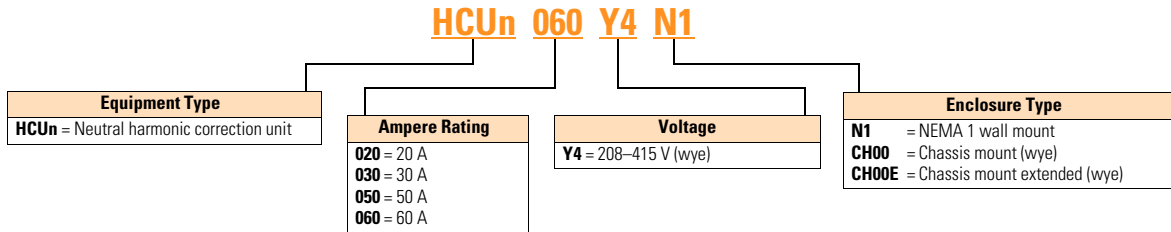
SPD, Power Conditioning, PF Capacitors and Harmonic Filters

Power Factor Correction and Harmonic Filtering

Catalog Number Selection

2

HCU_n Harmonic Correction Unit



Product Selection

HCU_n 208–415 V, 50/60 Hz

Rated Current (A)	Neutral Rated Current (A)	Rated kvar at 415 V	Enclosure Rating	Mounting Type	Unit Type	Cable Entry	Frame	Mass lb (kg)	Catalog Number
20	60	14	IP00/type OPEN ①	Chassis	Main	Bottom	12	134.48 (61)	HCUN020Y4CH00
30	90	22	IP00/type OPEN ①	Chassis	Main	Bottom	12	134.48 (61)	HCUN030Y4CH00
50	150	36	IP00/type OPEN ①	Chassis	Main	Bottom	12	165.35 (75)	HCUN050Y4CH00
60	180	43	IP00/type OPEN ①	Chassis	Main	Bottom	12	165.35 (75)	HCUN060Y4CH00
60	180	43	IP00/type OPEN ①	Chassis	Expansion	Bottom	12	165.35 (75)	HCUN060Y4CH00E
20	60	14	UL type 1	Wallmount	Main	Bottom	13	163.14 (74)	HCUN020Y4N1
30	90	22	UL type 1	Wallmount	Main	Bottom	13	163.14 (74)	HCUN030Y4N1
50	150	36	UL type 1	Wallmount	Main	Bottom	13	196.21 (89)	HCUN050Y4N1
60	180	43	UL type 1	Wallmount	Main	Bottom	13	196.21 (89)	HCUN060Y4N1

Note

① UL type OPEN models shall be installed with fuse kit (HCUNFUSKIT230 or HCUNFUSKIT560) on line side to maintain cUL_{US} compliance.

Technical Data

Description	Specification
Electrical Characteristics	
Standard rms output current ratings	Chassis: 20 A, 30 A, 50 A, 60 A Wall: 20 A, 30 A, 50 A, 60 A
Nominal voltage	208–415 Vac, –15%/+10%
Nominal frequency	50/60 Hz, ± 3 Hz auto sensing
Connection type	3-phase/3-wire or 3-phase/4-wire
Compensation type	3-phase only or 3-phase + neutral
Earthing systems	TT, TN-C, TN-S, TN-C-S, IT, corner ground, center-tapped delta and HRG
Network voltage distortion	Maximum 20% phase to phase (up to 30th order)
Voltage notch limits	Notch depth: 10%, Notch area (AN): 13,667 V μ s at 400 V as per IEEE 519-2014, Annex C
Technical Product Characteristics	
Power electronics	3-level IGBT
Topology	Digital harmonic FFT Digital instantaneous reactive power
Efficiency and losses	400–415 Vac $\geq 97\%$ 3-phase compensation: ≤ 20.4 W/A 3-phase + neutral compensation: ≤ 22.6 W/A
Current transformer (CT)	Any ratio with 1 A or 5 A secondary; Class 1.0 accuracy; 50/60 Hz or 400 Hz rated (instrument rated or better); Grounded; can be shared with other devices
CT VA loading	1 A: 0.04 VA 5 A: 1 VA
Quantity of CT	2 or 3 CTs for 3-phase loads 3 CTs are required for 4-wire with neutral connected loads
CT position	Grid or load sense
Control basis	Closed or open loop
Spectrum cancellation and selection	2nd to 51st harmonic order; discrete, fully selectable adjustable per harmonic order (amplitude % and ON/OFF)
Modes of operation	Multi-modes simultaneously or discrete - phase harmonic correction - neutral harmonic correction with user-adjustable current limit up to 3 times unit rating - power factor correction (cos w) - mains load balancing
Operational features	% THDi setpoint % THDv setpoint Target PF setpoint
Harmonic attenuation and filtering performance	THDi < 3% in closed loop control; maximum 20:1 THDi typical (reduction with load harmonic above 50% unit rating) requires 3% or higher inductive impedance per nonlinear load
Power factor correction	Optimize PF and target PF (cos w) programmable leading (capacitive) or lagging (inductive)
Load balancing	Negative and zero sequence; selectable individually or simultaneously
Resonance avoidance	Output at specific harmonic order turned off if resonance or lack of impedance detected or manually turned off
Paralleling Characteristics	
Scalability and expandability	Up to 12 units in parallel per set of CT; any size unit combination possible (maximum nth order subject to network characteristics)
Parallel operation options	Primary/secondary, multi-primary, multi-primary/multi-secondary (primaries receive CT connection) Main units (primary capable): 20 A, 30 A, 50 A, 60 A Expansion units (secondary only—no CT connection): 60 A
Paralleling architecture	Distributed redundancy with no independent controller required
Parallel sequence options	Load share: all operating units function at the same output percentage Cascade: lead/lag with unit rotation; one unit operates to full capacity before next unit turns on; timed rotation
Unit ID assignment	Automatic parallel ID assignment capability or can be set manually
Parallel redundancy	As long as there is a main (primary capable) unit online, any unit with CT connections will automatically become primary if the controlling primary is taken offline; Automatic increase in output of all units to make up capacity of any offline unit.
Parallel HMI control	The main unit permits viewing and changing parameter settings of the complete system or any other unit in the parallel system

Description	Specification
Control and Communications	
Parallel communications	Proprietary communication bus between operating units (shielded CAT5e or higher required with RJ-45 connectors)
Control response time	40–60 ms typical
Harmonic correction time	≤ 2 cycles
Reactive correction time	≤ 1/2 cycle
Communications protocol	Main units: Modbus RTU and Modbus TCP/IP Expansion units: Modbus RTU
Discrete I/O	4 inputs, 4 outputs assignable
Environmental Conditions	
Operating temperature	0 °C to +45 °C (full performance, continuous operation without derating) Derate 2% per °C up to +50 °C
Relative humidity	0–95%, noncondensing
Operating altitude	1000 m (full performance, continuous operation) Derate 1% per 100 m above Above 3000 m requires solid ground Absolute maximum altitude: 4800 m
Ambient temperature safety	Automatic temperature roll back based upon IGBT overtemperature Absolute shutdown if air inlet temperature reaches +51 °C
Preset output limits (rms)	Programmable set limit due to altitude or ambient temperature—becomes fixed output limit
Storage (in original shipping packaging)	Temperature: –20 °C to +60 °C, relative humidity: up to 95%, noncondensing, clean, dry and protected No conductive particles permitted
Contaminant Levels—operating (IEC 60721-3-3)	Chemical Class 3C2, Mechanical Class 3S2 No conductive particles permitted
Contaminant levels—transport and storage (IEC 60721-3-3)	Chemical Class 3C3, Mechanical Class 3S3 (stored in original shipping packaging) No conductive particles permitted
Mechanical and Installation Characteristics	
Mounting configuration	Indoor Vertical: chassis and wall mount Floor standing possible using chassis unit
Ingress protection	Chassis mount: IP00 / Wall mount: IP20
PCBA protection	Conformal coating on all PCBAs / Pollution degree 2
Incoming circuit protection	None—supplied by others external to Eaton HCU unit Recommended earth leakage protection: 500 mA
Cable entry	Chassis and wall mount: bottom entry
Cooling configuration	Variable speed controlled forced ventilation; high heat plenum; air flow: 560 m ³ /hr Chassis and wall mount: bottom to top No conductive particles permitted, no corrosive gases
Noise level	63 dB(A) typical
Dimensions (H x W x D) mm	Chassis and wall mount: 960 x 440 x 265
Color and material	Galvanized steel enclosure Powder-coated light grey RAL7035 wall mount door
HMI and Service Provisions	
Display	Magelis STU HMI, high-definition color touchscreen TFT QVGA 64 k
Operator interface	Chassis mount: 144 mm (5.70 in) supplied for remote mounting Expansion units: no HMI required
User interface options	Plain language, no cryptic code Multiple languages: English, French, Spanish, Portuguese, Chinese and Korean
Service port	2xUSB port or firmware update, diagnostics file and event log download, connection to PC
Commissioning features	On-board step-by-step commissioning protocol via HMI On-board commissioning report for download—no additional software required Automatic CT calibration, polarity detection and correction Phase sequence unsusceptible Automatic unit neutral connection check
Interoperability and Integration	
Floor-standing enclosures	Using chassis module, ensuring air flow requirement is met
System integration	Suitable for integration in 3rd party EPMS/SCADA through Modbus mapping

Dimensions

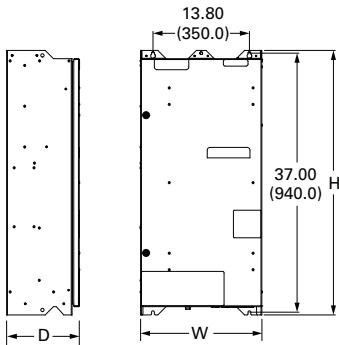
Approximate Dimensions in Inches (mm)

Eaton HCU_n Unit Dimensions and Installation Guidelines

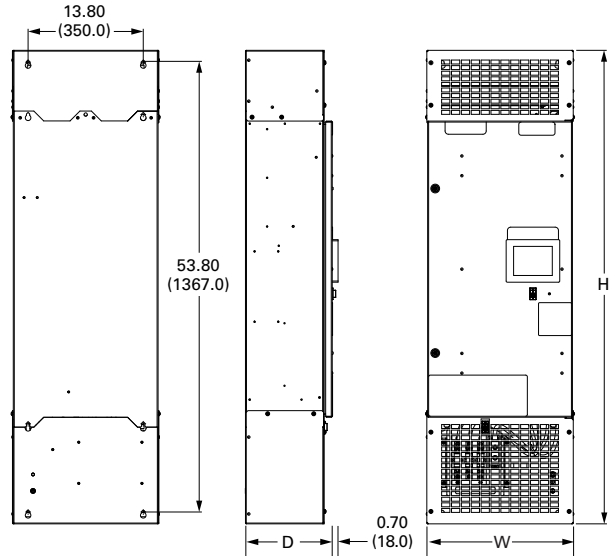
Frame Size Figure	Description	Exterior Dimensions in Inches (mm)		
		Height	Width	Depth
12	Eaton HCU _n chassis IP00/UL type OPEN	37.80 (960.0)	17.32 (440.0)	10.43 (265.0)
13	Eaton HCU _n wallmount UL type 1	56.69 (1440.0)	17.52 (445.0)	10.43 (265.0)

Note: UL type OPEN dimensions exclude fuse kit.

Frame Size 12—Chassis Mount IP00/UL Type OPEN



Frame Size 13—Wall Mount UL Type 1



- HMI only on main unit—supplied loose in the box for mounting remotely
- Expansion unit has the same dimensions as the main unit, except no HMI provided

Note: Fuse kit shall be installed on line side to maintain cUL_{US} compliance.

- HMI only on main unit
- Expansion unit has the same dimensions as the main unit, except no HMI provided

Note: All dimensions are indicative. Please refer to the dimensions in the Installation manual and engineering drawings for design purposes.

2.2

SPD, Power Conditioning, PF Capacitors and Harmonic Filters

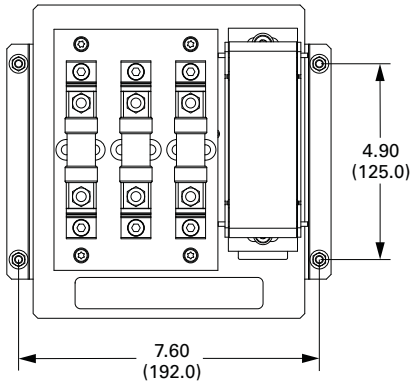
Power Factor Correction and Harmonic Filtering

Accessories

Approximate Dimensions in Inches (mm)

2

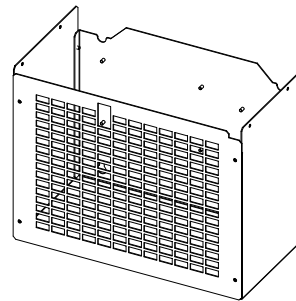
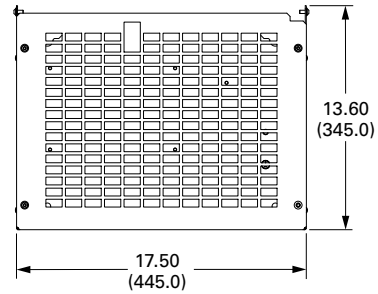
Fuse Kit



HCUNFUSKIT230—for 20 A and 30 A chassis models
HCUNFUSKIT560—for 50 A and 60 A chassis models

Note: Fuse kit required on line side of chassis
IP00 model to maintain cUL_{US} compliance.

Terminal Kit



HCUNBTMKIT01—optional cable termination
box for chassis IP00 models

Note: All dimensions are indicative. Please refer to the dimensions in the installation manual and engineering drawings for design purposes.