

**Power Pedestals**



**Construction Site and RV Parks**



**Marina Power and Lighting**



**Mobile Home Panels**

<b>5.1 Introduction</b>	
Product Description	V1-T5-2
Application Description	V1-T5-2
Optional Features	V1-T5-2
<b>5.2 Temporary Power/RV Park</b>	
Product Overview	V1-T5-3
Product Description	V1-T5-3
Application Description	V1-T5-4
Standards and Certifications	V1-T5-5
Catalog Number Selection	V1-T5-6
Product Selection	V1-T5-7
Accessories	V1-T5-7
Renewal Parts	V1-T5-8
Surface Units	V1-T5-10
Product Overview	V1-T5-10
Product Selection	V1-T5-10
Dimensions	V1-T5-13
Pedestal Units	V1-T5-16
Product Overview	V1-T5-16
Product Selection	V1-T5-16
Dimensions	V1-T5-18
<b>5.3 Mobile Home Panels</b>	
Product Overview	V1-T5-21
Features	V1-T5-21
Catalog Number Selection	V1-T5-22
Product Selection	V1-T5-22
Accessories	V1-T5-23
Dimensions	V1-T5-24
<b>5.4 RV Park Hook-Ups</b>	
Power Pedestals	V1-T5-28
Powerhouse Power Pedestal	V1-T5-30
Powerhouse—Stainless Steel (SS) Power Pedestal	V1-T5-33
Newport Camp Mate Power Pedestal	V1-T5-36
Firehouse	V1-T5-39
Digital Electronic Kilowatthour Meters	V1-T5-41
Distribution Equipment—Ground Fault Monitor	V1-T5-42
Distribution Equipment—Substations	V1-T5-43
Distribution Equipment—Panels	V1-T5-46
Distribution Equipment—Transformers	V1-T5-47
<b>5.5 Marina Power and Lighting Equipment</b>	
Power Pedestals	V1-T5-48
Lighthouse	V1-T5-51
Lighthouse—SS	V1-T5-55
Admiral—SS	V1-T5-59
Newport Harbor Mate	V1-T5-62
Hatteras Light	V1-T5-66
Firehouse	V1-T5-70
Smart Start	V1-T5-76
Mariner Lighting Bollard	V1-T5-77
Digital Electronic Kilowatthour Meters	V1-T5-78
Distribution Equipment—Ground Fault Monitor	V1-T5-79
Distribution Equipment—Mega Yacht Powerpoint	V1-T5-80
Distribution Equipment—Substations	V1-T5-83
Distribution Equipment—Panels	V1-T5-86
Distribution Equipment—Transformers	V1-T5-87

**Don't Give Up!**

If you don't find the product you want in this catalog, try the Flex Center at **1-800-330-6479**.

### Power Pedestals



5

### Contents

#### Description

Introduction

### Product Description

A power pedestal is a device designed for outdoor service to meet temporary power requirements at construction sites, marinas, recreational vehicle (RV parks, marinas and mobile home parks). Power pedestals provide a safe and reliable means for users to access electricity at such locations.

### Application Description

#### Construction Site and RV Parks

Power outlet panels on construction sites and in RV parks provide a safe and reliable means for users to access electricity. A wide range of products are available with multiple features and enclosure material options.



**Construction Site and RV Parks**

#### Mobile Home Panels

Eaton's versatile mobile home panels have a user-friendly design that allows for a faster, cleaner installation. Mobile home panels are designed for service entrance distribution, and include a meter and distribution section with breaker and receptacle configuration options.



**Mobile Home Panels**

#### Marina Power and Lighting

Park lighting and marina pedestals offer robust enclosure options with premium features to enhance user convenience at marinas and campgrounds.



**Marina Power and Lighting**

### Optional Features

- Product can ship from the factory completely assembled and prewired
- External light
- TV and telephone jacks
- Ground fault monitors
- Digital electronic kilowatt-hour meters
- Water faucet
- Available GFI (ground fault interrupter) protection
- Weatherproof engineered resin enclosure (will never rust or deteriorate)
- Stainless steel to meet and exceed all applicable codes, and withstand harsh inland and coastal environments

**Power Outlet Panels****Product Overview**

A power outlet panel (or POP) is a device designed for outdoor service to meet temporary power requirements at construction sites and RV parks. POPs provide a safe and reliable means for users to access electricity at such locations.

**Product Description**

Power outlet panels shall be designed for outdoor service to meet temporary power outlet requirements at construction sites and provide high quality, economical power to individual sites at RV parks. POPs shall be provided with means to bond the neutral for temporary service entrance applications. RV panels shall have a factory-installed insulated neutral bar.

**Receptacles and Circuit Protection**

Circuit protection shall be Eaton's UL listed full-size Type BR or half-size Type BD circuit breakers. The receptacles shall be NEMA commercial/industrial grade devices. Ground fault protection (GFCB) shall be provided at the 20 A duplex NEMA 5-20R receptacle or 20 A single-pole circuit breaker per UL standards. Ground fault protection shall be provided at the circuit breaker for receptacles above 20 A per UL standards.

**Contents****Description**

	<i>Page</i>
Product Description . . . . .	<b>V1-T5-2</b>
Application Description . . . . .	<b>V1-T5-4</b>
Optional Features . . . . .	<b>V1-T5-2</b>
Standards and Certifications . . . . .	<b>V1-T5-5</b>
Catalog Number Selection . . . . .	<b>V1-T5-6</b>
Product Selection . . . . .	<b>V1-T5-7</b>
Accessories . . . . .	<b>V1-T5-7</b>
Renewal Parts . . . . .	<b>V1-T5-8</b>
Surface Units . . . . .	<b>V1-T5-10</b>
Pedestal Units . . . . .	<b>V1-T5-16</b>

**Construction**

The power outlet panel pedestal shall be of deadfront design and constructed of heavy gauge, 100 percent galvanized steel. Baked-on polyester powder coating shall be used for excellent mechanical strength, plus resistance to chalking caused by the sun's ultraviolet rays. The power outlet panel surface and pedestal units shall have NEMA Type 3R rainproof enclosures.

**Ease of Installation**

Panels shall ship from the factory completely assembled, prewired with aluminum wire, and tested in accordance with UL Standard 231. The door shall swing up and open for user convenience and ease of access to breakers and receptacles. When required, a means for securing the door in the open position shall be provided. Panels shall be bottom fed through knockouts in endwall or top fed using a bolt-on raintight hub. Knockouts shall range from 1/2-inch (12.7 mm) to 1-1/2 inches (38.1 mm). Grounding provisions (#4–14 Cu/Al) shall be provided on all panels.

**Application Description**

POPs are also sometimes called temporary power panels, temporary site service equipment or RV panels.

**Construction Site Application**

When POPs are used at a construction site, they are installed on a temporary basis until permanent electrical power is available at the building. The most common reason for needing a POP at a construction site is to provide a power source for the contractor's tools.



**Construction Site Application**

**RV Park Applications**

When POPs are used at an RV park, they are installed for more permanent use and serve the purpose of providing power to the recreational vehicles. Many RV parks now supply customers with amenities such as lighted POPs with TV and telephone jacks.



**RV Park Application**

**Service Applications**

Suitable for use as temporary Service Entrance Equipment, temporary power service equipment and recreational vehicle site supply.

**Features and Benefits**

- Designed for outdoor service to meet power outlet requirements
- Receptacles conform to NEMA and/or ANSI configurations as specified by the National Electrical Code® (NEC)
- Includes a factory-installed insulated neutral bar with provisions for bonding when used for temporary service entrance applications
- 125 A rated meter socket
- Temporary power and RV park POPs are CSA listed. Compact POP and single receptacle devices are not CSA listed

**Designed for Easy Installation and Protection**

- Panels come from the factory completely assembled, prewired with aluminum wire and tested... ready for easy installation
- Door swings up and open for user convenience and ease of access to breakers and receptacles
- Panels can be bottom fed through knockouts in the endwall or top fed using a bolt-on raintight hub
- Two-piece deadfront cover allows field wiring without interfering with factory wiring
- Lower deadfront cover permits easy field wiring to circuit protective devices
- Available GFI (ground fault interrupter) single- and two-pole protection through 50 A

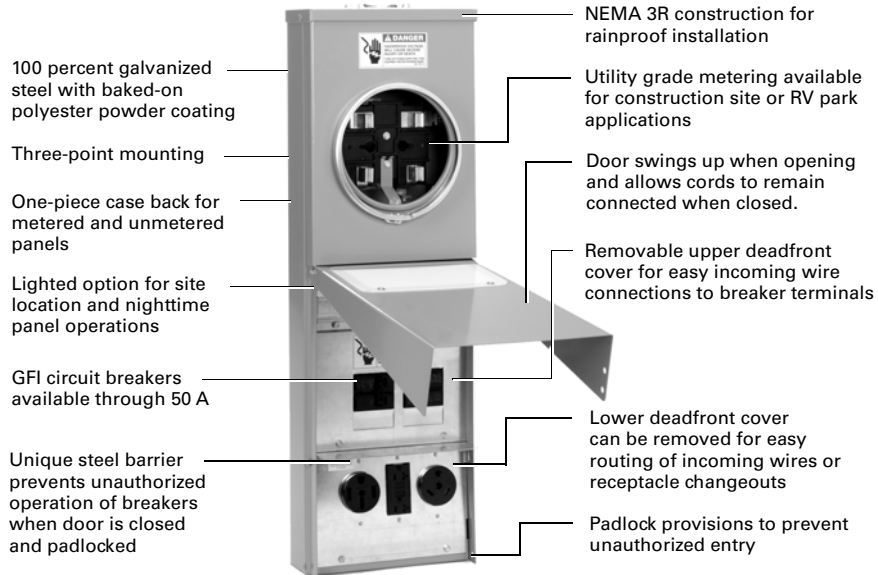
**Two Styles to Meet Your Power Outlet Needs**

- **Surface mount:** User mounts unit to a post
- **Pedestal mount:** User mounts with an underground pedestal extension or pad-mounting bracket. (Underground pedestal extension and pad-mounting bracket are sold separately. See accessories **Page V1-T5-7** for part numbers and options)



*Compact Design Available in Certain Configurations for Added Convenience*

**Surface Units**



• Metered units available with meter on top or on bottom

• Units are factory wired and assembled

**Standards and Certifications**

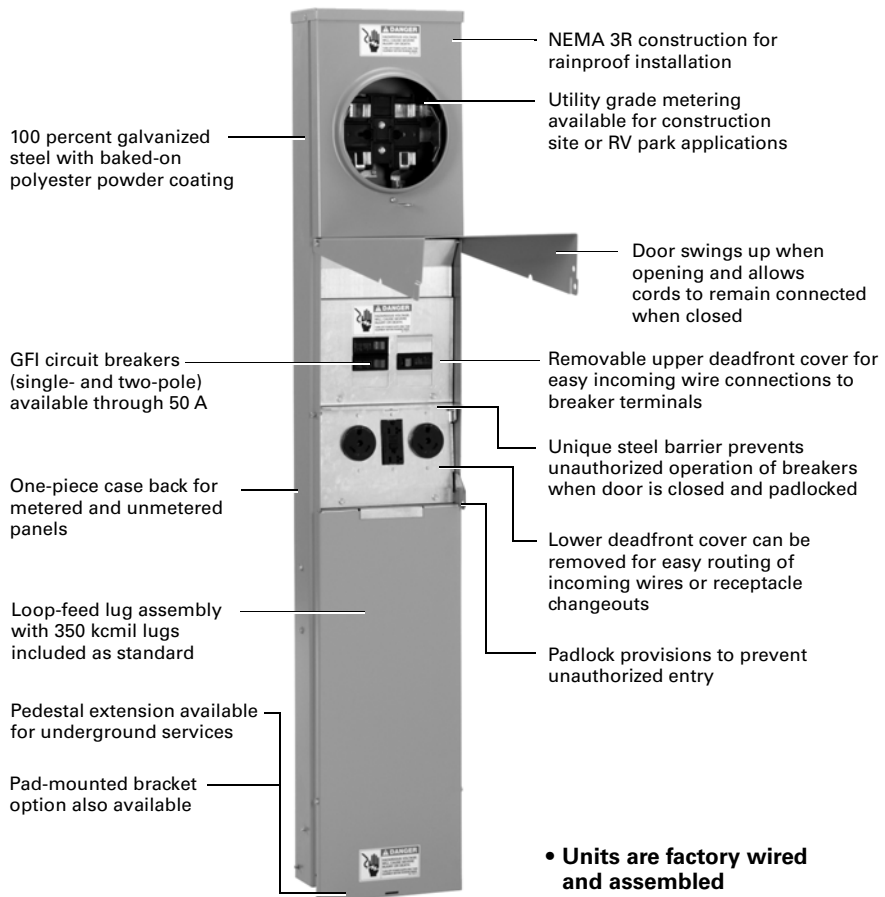
- UL Standard 231
  - UL File Number E163588
- Receptacles conform to NEMA and/or ANSI configurations as specified by the NEC.

**Standard Compliance**

All power outlet panels for temporary construction site power and RV (recreational vehicle) application shall be UL listed for the U.S. per UL Standard 231, File E163588. Receptacles shall conform to NEMA and/or ANSI configurations as specified by the National Electrical Code (NEC).

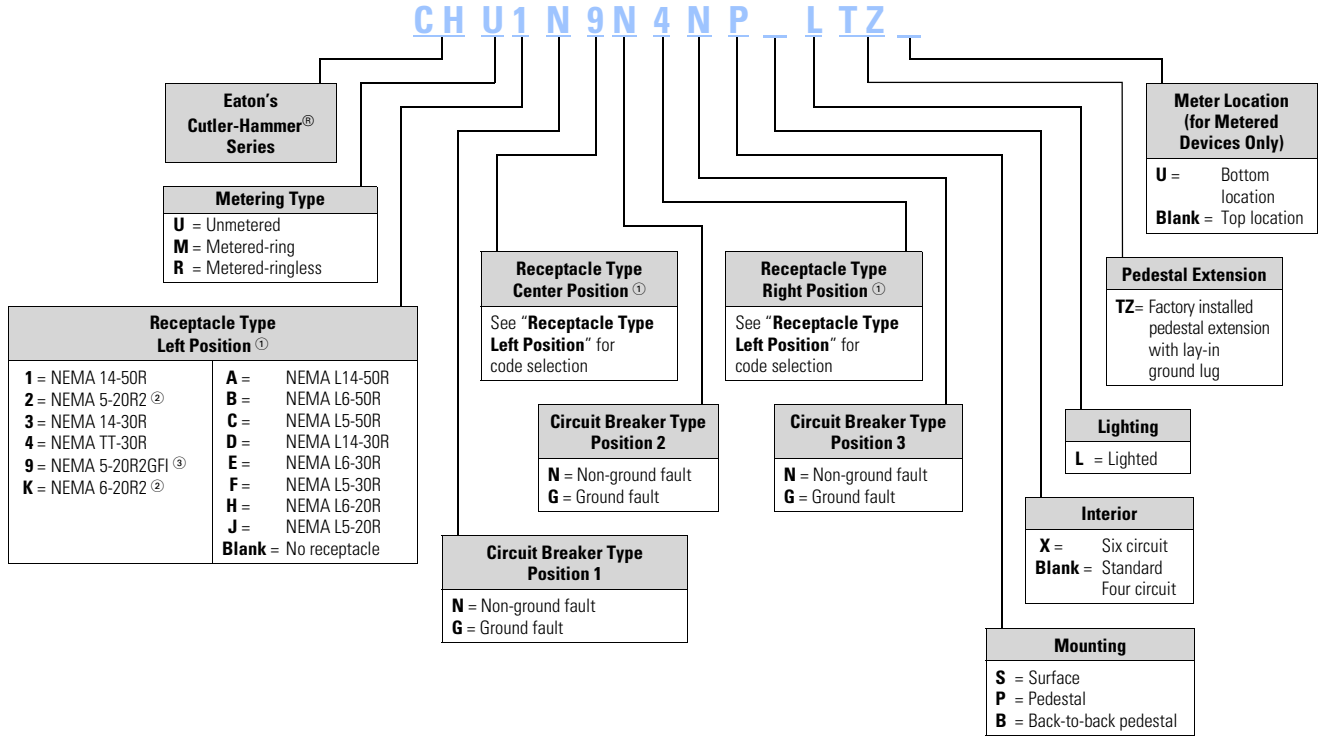


**Pedestal Units**



• Units are factory wired and assembled

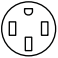





#### Catalog Number Selection











#### Notes

- ① For receptacle configurations, see **table below**.
- ② Weather-resistant.
- ③ Weather-resistant/tamper resistant.

#### Receptacle Configuration

<b>1</b>	 50 A, 125/250 V, three-pole, four-wire, <b>NEMA 14-50R</b> Two-pole, 50 A breaker	<b>3</b>	 30 A, 125/250 V, three-pole, four-wire, <b>NEMA 14-30R</b> Two-pole, 30 A breaker	<b>9</b>	 20 A, 125 V, two-pole, three-wire, weather-resistant/tamper-resistant (WR TR), <b>NEMA 5-20R2GFI</b>
<b>2</b>	 20 A, 125 V, two-pole, three-wire, weather-resistant (WR), <b>NEMA 5-20R2</b> Single-pole, 20 A breaker	<b>4</b>	 30 A, 125 V, two-pole, three-wire, <b>NEMA TT-30R</b> Single-pole, 30 A breaker	<b>K</b>	 20 A, 250 V, two-pole, three-wire, weather-resistant (WR), <b>NEMA 6-20R2</b> Two-pole, 20 A breaker

#### Twist-Lock and Custom Receptacle/Breaker Combinations

<b>A</b>	 50 A, 125/250 V, three-pole, three-wire, <b>NEMA L14-50R</b> Two-pole, 50 A breaker	<b>D</b>	 30 A, 125/250 V, three-pole, four-wire, <b>NEMA L14-30R</b> Two-pole, 30 A breaker	<b>H</b>	 20 A, 250 V, two-pole, three-wire, <b>NEMA L6-20R</b> Two-pole, 20 A breaker
<b>B</b>	 50 A, 250 V, two-pole, three-wire, <b>NEMA L6-50R</b> Two-pole, 50 A breaker	<b>E</b>	 30 A, 250 V, two-pole, three-wire, <b>NEMA L6-30R</b> Two-pole, 30 A breaker	<b>J</b>	 20 A, 125 V, two-pole, three-wire, <b>NEMA L5-20R</b> Single-pole, 20 A breaker
<b>C</b>	 50 A, 125 V, two-pole, three-wire, <b>NEMA L5-50R</b> Single-pole, 50 A breaker	<b>F</b>	 30 A, 125 V, two-pole, three-wire, <b>NEMA L5-30R</b> Single-pole, 30 A breaker		

**Product Selection**

When quoting or selecting a power outlet panel, the following questions should be answered:

- Unmetered, ring or ringless style
- Number and types of receptacles (seven standard and eight twist-lock options)
- Standard or ground fault breakers
- Surface, pedestal or back-to-back mounting
- Are any factory or field options required?

**Power Outlet Panel Receptacle Configuration Rules**

**Note:** All Power Outlet Panel Configurations using **NEMA 5-20R2** receptacles, including 2, must be paired with a ground fault breaker.

**Four Receptacles/Unit**

All receptacles must be NEMA 5-20R2 or NEMA 5-20R2GFI, surface mount only.

**Three Receptacles/Unit**

- One or more of the receptacles must be NEMA 6-20R2, NEMA 5-20R2 or NEMA 5-20R2GFI

- NEMA 6-20R2, NEMA 5-20R2, or NEMA 5-20R2GFI must go in the second position
- If two receptacles consist of types NEMA 14-50R, NEMA 10-50R, NEMA 14-30R or NEMA 6-20R2 a six-circuit interior must be added

Example:  
**CHUIN5N2NSX**





**Note:** Configuration 1 and 2 were chosen so a six-circuit interior needs to be added (suffix X) to the end of the catalog number. Also, configuration 5 is in the second position.

**Two, One and Zero Receptacles/Unit**

Any configuration.

**Accessories**

**Accessories**

	Description	Catalog Number
 <p><b>Underground Pedestal Extension</b></p>	Underground pedestal extension	<b>CHPEEXT</b>
	Stainless steel underground pedestal extension	<b>CHPEEXTSS</b>
 <p><b>Pad-Mount Bracket</b></p>	Pad-mount bracket	<b>CHPAEXT</b>
 <p><b>Cable TV/Telephone Bracket</b></p>	Cable TV and telephone bracket	<b>CHTELTV</b>
 <p><b>DS Hub</b></p>	Rainproof conduit hub 0.75 inch (19.1 mm)	<b>DS075H1</b>
	Rainproof conduit hub 1.00 inch (25.4 mm)	<b>DS100H1</b>
	Rainproof conduit hub 1.25 inch (31.8 mm)	<b>DS125H1</b>
	Rainproof conduit hub 1.50 inch (38.1 mm)	<b>DS150H1</b>

**Fluorescent Light Kit**







**Fluorescent Light Kit**



Description	Catalog Number
Converts power outlet panel to lighted unit, <b>must also order CHOUTCVRL</b>	<b>CHFLGKIT</b>






#### Renewal Parts

#### Renewal Parts

	Description	Catalog Number
<b>Circuit Breaker (BR/GFTCB)</b> 	See this volume, Tab 1, section 1.2	—
<b>Meter Socket</b> 	Ring style replacement meter socket Ringless style replacement meter socket 5th jaw kit Horn bypass (one lug cap per kit; four kits required per device)	<b>CHPOPMSRING</b> <b>CHPOPMSRL</b> <b>ARP00035CHJ</b> <b>ARP00777CH</b>
<b>Bonding Strap and Mounting Hardware</b> 	Bonding strap and mounting hardware	<b>CHBONDST</b>
<b>Inner Lens</b> 	Inner lens for lighted power outlet panels	<b>CHINLENS</b>
<b>Loop Feed Lug Assembly</b> 	Loop feed lug assembly for single pedestal Loop feed lug assembly for back-to-back pedestal	<b>CHLOOPFDP</b> <b>CHLOOPFDB</b>
<b>Lower Deadfront Cover</b> 	Blank lower deadfront cover Lower deadfront cover with duplex receptacle opening Lower deadfront cover with duplex, duplex receptacle opening Lower deadfront cover with duplex, duplex, duplex receptacle opening Lower deadfront cover with rectangle receptacle opening Lower deadfront cover with rectangle, rectangle receptacle opening Lower deadfront cover with rectangle, rectangle, rectangle receptacle opening Lower deadfront cover with duplex, rectangle receptacle opening Lower deadfront cover with duplex, rectangle, duplex receptacle opening Lower deadfront cover with rectangle, rectangle, duplex receptacle opening Lower deadfront cover with round receptacle opening Lower deadfront cover with round, round receptacle opening Lower deadfront cover with round, duplex receptacle opening	<b>CHLDFCVR</b> <b>CHLDFCVR1</b> <b>CHLDFCVR2</b> <b>CHLDFCVR3</b> <b>CHLDFCVR4</b> <b>CHLDFCVR5</b> <b>CHLDFCVR6</b> <b>CHLDFCVR7</b> <b>CHLDFCVR8</b> <b>CHLDFCVR9</b> <b>CHLDFCVR10</b> <b>CHLDFCVR11</b> <b>CHLDFCVR12</b>



## Renewal Parts, continued

	Description	Catalog Number
<b>Lower Deadfront Cover</b> 	Lower deadfront cover with round, duplex, duplex receptacle opening	<b>CHLDFCVR13</b>
	Lower deadfront cover with round, duplex, round receptacle opening	<b>CHLDFCVR14</b>
	Lower deadfront cover with round, rectangle receptacle opening	<b>CHLDFCVR15</b>
	Lower deadfront cover with round, rectangle, rectangle receptacle opening	<b>CHLDFCVR16</b>
	Lower deadfront cover with round, rectangle, round receptacle opening	<b>CHLDFCVR17</b>
	Lower deadfront cover with round, rectangle, duplex receptacle opening	<b>CHLDFCVR18</b>
	<b>Upper Deadfront Cover</b> 	Upper deadfront cover with six breaker twistouts
Upper deadfront cover with provisions for lighted option		<b>CHUDFCVRL</b>
<b>Outer Door</b> 	Outer door	<b>CHOUTCVR</b>
<b>Outer Door with Lens</b> 	Outer door with lens	<b>CHOUTCVRL</b>
<b>Neutral Assemblies</b> 	Six-hole neutral assembly with 2/0 lug	<b>CHNEUT</b>
	Seven-hole neutral assembly with 2/0 lug	<b>CHNEUT1</b>
	Five-hole ground bar kit	<b>GBK5</b>
	10-hole ground bar kit	<b>GBK10</b>
<b>Replacement Meter Cover</b>		
	Replacement meter cover—ring type	<b>CHPOPRMC</b>
	Replacement meter cover—ringless	<b>CHPOPRLMC</b>
	Replacement meter cover—ringless	<b>CHPOPRLMCN</b>
	Replacement meter cover—ringless	<b>CHPOPRLMCN2</b>

#### Power Outlet Panels



5

#### Contents

<i>Description</i>	<i>Page</i>
Product Description . . . . .	<b>V1-T5-2</b>
Surface Units	
Dimensions . . . . .	<b>V1-T5-13</b>
Pedestal Units . . . . .	<b>V1-T5-16</b>

### Surface Units

#### Product Overview

A power outlet panel (or POP) is a device designed for outdoor service to meet temporary power requirements at construction sites and recreation vehicle (RV) parks. POPs provide a safe and reliable means for users to access electricity at such locations.

#### Product Selection

##### **Power Outlet Panel Receptacle Configuration Rules**

**Note:** All Power Outlet Panel Configurations using **NEMA 5-20R2** receptacles, including 2, must be paired with a ground fault breaker.

See **Page V1-T5-7** for complete list.

##### **Four Receptacles/Unit**

All receptacles must be NEMA 5-20R2 and/or NEMA 5-20R2GFI, surface mount only.

##### **Three Receptacles/Unit**

- One or more of the receptacles must be NEMA 6-20R2, NEMA 5-20R2 or NEMA 5-20R2GFI
- NEMA 6-20R2, NEMA 5-20R2, or NEMA 5-20R2GFI must go in the second position
- If two receptacles consist of types NEMA 14-50R, NEMA 10-50R, NEMA 14-30R or NEMA 6-20R2 a six-circuit interior must be added

Example:  
**CHUIN5N2NSX**

**Note:** Configuration 1 and 2 were chosen so a six-circuit interior needs to be added (suffix X) to the end of the catalog number. Also, configuration 5 is in the second position.

##### **Two, One and Zero Receptacles/Unit**

Any configuration.

##### **Options**

- Six-circuit interior
- Factory-mounted pedestal extension
- Lighted
- Bottom fed

## Surface Type

Ampere Series	Receptacle Description			Breaker Description			Catalog Number	
	Position	Left	Center	Right	1st	2nd		3rd
<b>Single Receptacle CHU4S</b>								
<b>Unmetered Single Receptacle</b>								
50	—	14-50R	—	—	No breaker	No breaker	No breaker	<b>CHU1S</b>
30	—	14-30 R	—	—	No breaker	No breaker	No breaker	<b>CHU3S</b>
30	—	TT-30R	—	—	No breaker	No breaker	No breaker	<b>CHU4S</b>
<b>Unmetered Type CHU1N9N4NS</b>								
<b>Unmetered</b>								
20/20/20	5-20R2WR	5-20R2WR	6-20R2WR	GFI	GFI	GFI	<b>CHU2G2GKGS</b>	
20/20/20	5-20R2GFIWRTR	5-20R2GFIWRTR	6-20R2WR	Non-GFI	Non-GFI	Non-GFI	<b>CHU9N9NKNS</b>	
20/20/20	5-20R2GFIWRTR	5-20R2GFIWRTR	6-20R2WR	Non-GFI	Non-GFI	GFI	<b>CHU9N9NKGS</b>	
50/20/30	14-50R	5-20R2GFIWRTR	TT-30R	Non-GFI	Non-GFI	Non-GFI	<b>CHU1N9N4NS</b>	
50/20/30	14-50R	5-20R2GFIWRTR	6-20R	GFI	Non-GFI	Non-GFI	<b>CHU1G9N9NS</b>	
50/20	14-50R	5-20R2GFIWRTR	—	GFI	Non-GFI	—	<b>CHU1G9NS</b>	
50/20	14-50R	5-20R2GFIWRTR	—	Non-GFI	Non-GFI	—	<b>CHU1N9NS</b>	
50/20/50	14-50R	5-20R2GFIWRTR	14-50R	Non-GFI	Non-GFI	Non-GFI	<b>CHU1N9N1NSX</b> ①	
30/30/20	TT-30R	5-20R2GFIWRTR	TT-30R	Non-GFI	Non-GFI	Non-GFI	<b>CHU4N9N4NS</b>	
<b>Unmetered (Compact Version)</b>								
50	14-50R	—	—	Non-GFI	—	—	<b>CHU1NSFEMA</b>	
30/30	TT-30R	TT-30R	—	Non-GFI	Non-GFI	—	<b>CHU4N4NS</b>	
30/20	TT-30R	5-20R2GFIWRTR	—	Non-GFI	Non-GFI	—	<b>CHU4N9NS</b>	
30	TT-30R	—	—	Non-GFI	—	—	<b>CHU4NS</b>	
20/20	5-20R2GFIWRTR	5-20R2GFIWRTR	—	Non-GFI	Non-GFI	—	<b>CHU9N9NS</b>	
20	5-20R2GFIWRTR	—	—	Non-GFI	—	—	<b>CHU9NS</b>	

**Note**

① The "X" suffix indicates that a six circuit interior is provided, instead of the standard four circuit interior.

Contact your local Eaton sales office for configurations not listed.

#### Surface Type, continued

**Metered Ring  
CHM9N9NS**



Ampere Series	Receptacle Description			Breaker Description			Catalog Number
	Position Left	Center	Right	1st	2nd	3rd	
<b>Metered – Ring</b>							
50/20/20	14-50R	5-20R2GFIWRTR	5-20R2GFIWRTR	GFI	Non-GFI	Non-GFI	<b>CHM1G9N9NS</b>
20/20	5-20R2GFIWRTR	5-20R2GFIWRTR	—	Non-GFI	Non-GFI	—	<b>CHM9N9NS</b>
20/20/20	5-20R2GFIWRTR	5-20R2GFIWRTR	6-20R2WR	Non-GFI	Non-GFI	GFI	<b>CHM9N9NKGS</b>
20/20/20	5-20R2GFIWRTR	5-20R2GFIWRTR	6-20R2WR	Non-GFI	Non-GFI	Non-GFI	<b>CHM9N9NKNS</b>
50/30/20	14-50R	5-20R2GFIWRTR	TT-30R	Non-GFI	Non-GFI	Non-GFI	<b>CHM1N9N4NS</b>

**Metered Ringless Type  
CHR4N9NS**



<b>Metered – Ringless</b>							
50/20	14-50R	5-20R2GFIWRTR	—	GFI	Non-GFI	—	<b>CHR1G9NS</b>
20/20	5-20R2GFIWRTR	5-20R2GFIWRTR	—	Non-GFI	Non-GFI	—	<b>CHR9N9NS</b>
50/20/20	14-50R	5-20R2GFIWRTR	5-20R2GFIWRTR	GFI	Non-GFI	Non-GFI	<b>CHR1G9N9NS</b>
20/20/20	5-20R2GFIWRTR	5-20R2GFIWRTR	5-20R2GFIWRTR	Non-GFI	Non-GFI	Non-GFI	<b>CHR9N9N9NS</b>
20/20/20	5-20R2WR	5-20R2WR	6-20R2WR	GFI	GFI	GFI	<b>CHR2G2GKGS</b>
30/20/20	14-30R	5-20R2GFIWRTR	5-20R2GFIWRTR	Non-GFI	Non-GFI	Non-GFI	<b>CHR3N9N9NS</b>
50/30/20	14-50R	5-20R2GFIWRTR	TT-30R	Non-GFI	Non-GFI	Non-GFI	<b>CHR1N9N4NS</b>

**Metered Ring or  
Ringless Type  
Bottom Feed**



<b>Metered – Ring – Bottom Fed</b>							
20/20	5-20R2GFIWRTR	5-20R2GFIWRTR	—	Non-GFI	Non-GFI	—	<b>CHM9N9NSU</b>
50/20/20	14-50R	5-20R2GFIWRTR	5-20R2GFIWRTR	GFI	Non-GFI	Non-GFI	<b>CHM1G9N9NSU</b>
<b>Metered – Ringless – Bottom Fed</b>							
20/20	5-20R2GFIWRTR	5-20R2GFIWRTR	—	Non-GFI	Non-GFI	—	<b>CHR9N9NSU</b>
20/20/20	5-20R2WR	5-20R2WR	6-20R2WR	GFI	GFI	GFI	<b>CHR2G2GKGSU</b>
20/20/20	5-20R2GFIWRTR	5-20R2GFIWRTR	6-20R2WR	Non-GFI	Non-GFI	GFI	<b>CHR9N9NKGSU</b>
20/20/20	5-20R2GFIWRTR	5-20R2GFIWRTR	6-20R2WR	Non-GFI	Non-GFI	Non-GFI	<b>CHR9N9NKNSU</b>
50/20/20	14-50R	5-20R2GFIWRTR	5-20R2GFIWRTR	GFI	Non-GFI	Non-GFI	<b>CHR1G9N9NSU</b>

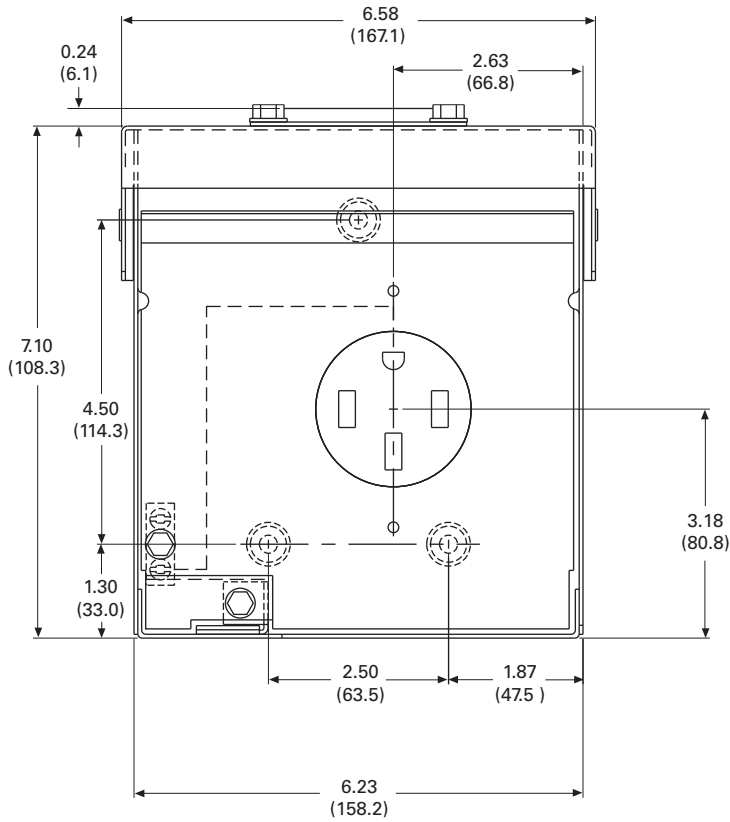
#### Accessories

See **Page V1-T5-7**.

**Dimensions**

Approximate Dimensions in Inches (mm)

**Single Receptacle**



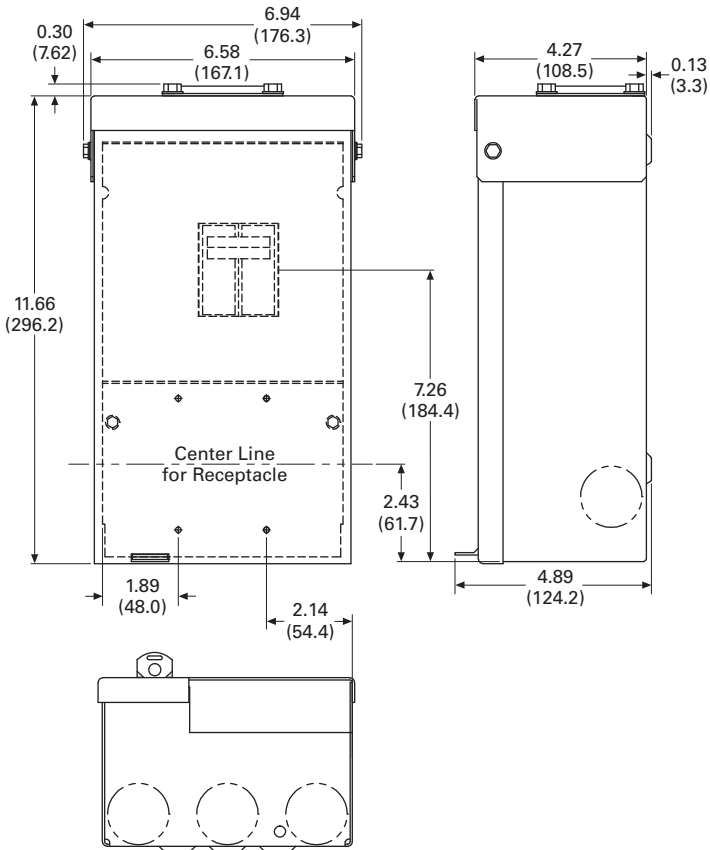
# 5.2

## Power Pedestals

### Temporary Power/RV Park

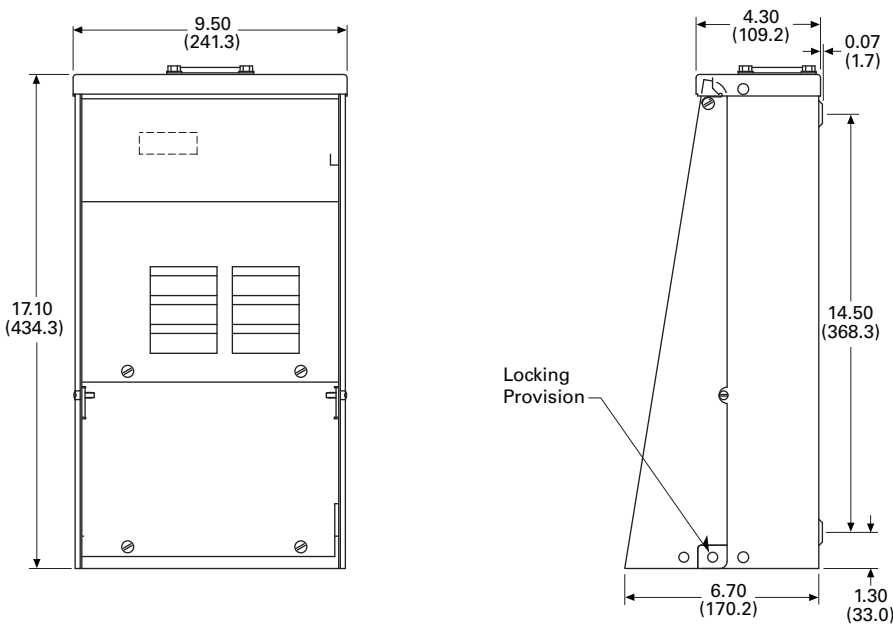
Approximate Dimensions in Inches (mm)

#### Compact Design Option



#### Unmetered Units

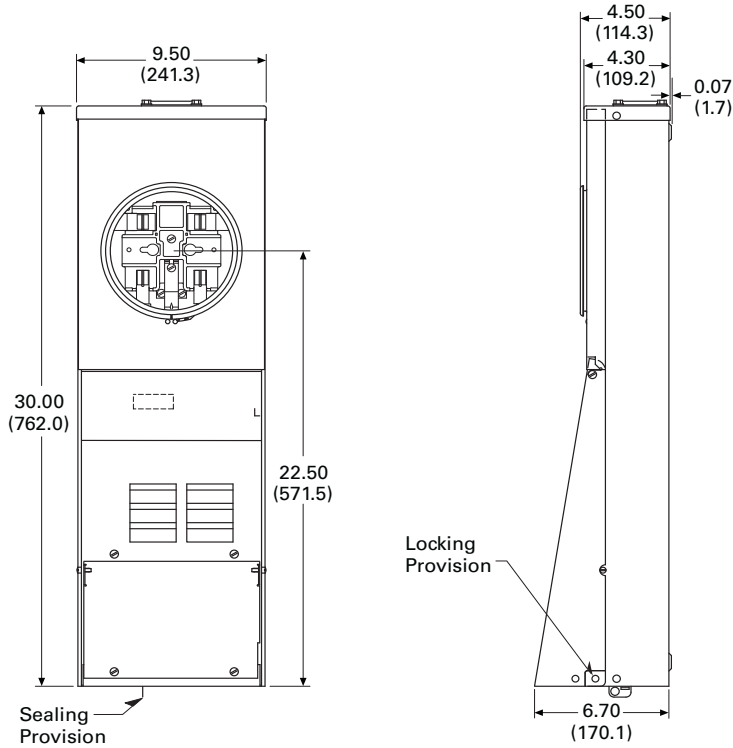
#### Unmetered Surface Type



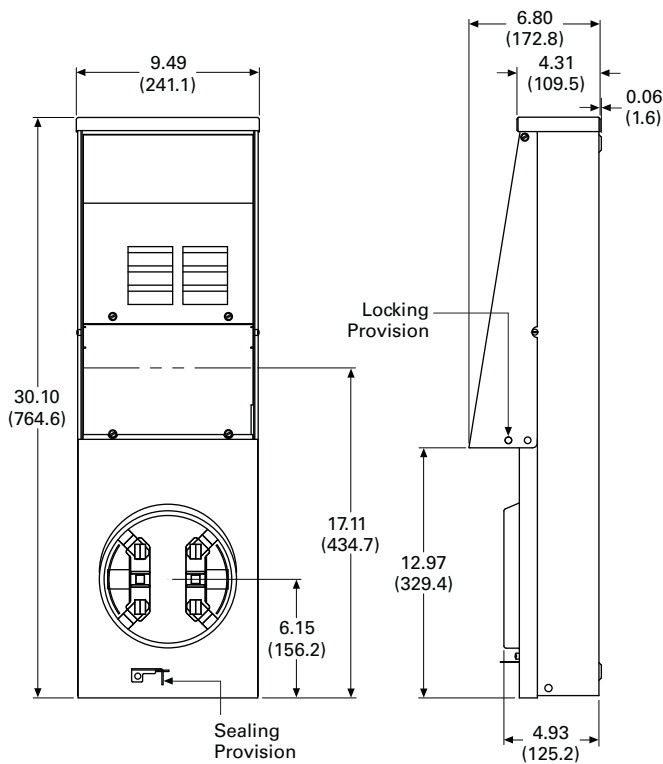
Approximate Dimensions in Inches (mm)

**Metered Units (Ring and Ringless)**

**Metered Surface Type**



**Bottom Fed Type**



#### Power Outlet Panels



5

#### Contents

<i>Description</i>	<i>Page</i>
Product Description . . . . .	<b>V1-T5-2</b>
Surface Units . . . . .	<b>V1-T5-10</b>
Pedestal Units . . . . .	<b>V1-T5-16</b>
Dimensions . . . . .	<b>V1-T5-18</b>

### Pedestal Units

#### Product Overview

A power outlet panel (or POP) is a device designed for outdoor service to meet temporary power requirements at construction sites and recreation vehicle (RV) parks. POPs provide a safe and reliable means for users to access electricity at such locations.

#### Product Selection

##### **Power Outlet Panel Receptacle Configuration Rules**

**Note:** All Power Outlet Panel Configurations using **NEMA 5-20R2** receptacles, including 2, must be paired with a ground fault breaker.

See **Page V1-T5-7** for complete list.

##### **Four Receptacles/Unit**

All receptacles must be NEMA 5-20R2 and/or NEMA 5-20R2GFI, surface mount only.

##### **Three Receptacles/Unit**

- One or more of the receptacles must be NEMA 6-20R2, NEMA 5-20R2 or NEMA 5-20R2GFI
- NEMA 6-20R2, NEMA 5-20R2, or NEMA 5-20R2GFI must go in the second position
- If two receptacles consist of types NEMA 14-50R, NEMA 10-50R, NEMA 14-30R or NEMA 6-20R2 a six-circuit interior must be added

Example:  
**CHUIN5N2NSX**

**Note:** Configuration 1 and 2 were chosen so a six-circuit interior needs to be added (suffix X) to the end of the catalog number. Also, configuration 5 is in the second position.

##### **Two, One and Zero Receptacles/Unit**

Any configuration.

##### **Options**

- Six-circuit interior
- Factory-mounted pedestal extension
- Lighted
- Bottom fed



Unmetered Type



Pedestal Type

Ampere Series	Receptacle Description			Breaker Description			Catalog Number
	Position	Left	Center	Right	1st	2nd	
<b>Unmetered</b>							
50/30/20	14-50R	5-20R2GFIWRTR	TT-30R	Non-GFI	Non-GFI	Non-GFI	<b>CHU1N9N4NP</b>
30/20	TT-30R	5-20R2GFIWRTR	—	Non-GFI	Non-GFI	—	<b>CHU4N9NP</b>
50/30/20	14-50R	5-20R2GFIWRTR	TT-30R	Non-GFI	Non-GFI	Non-GFI	<b>CHU1N9N4NPTZ</b>
30/30/20	TT-30R	5-20R2GFIWRTR	TT-30R	Non-GFI	Non-GFI	Non-GFI	<b>CHU4N9N4NP</b>
30/20	TT-30R	5-20R2GFIWRTR	—	Non-GFI	Non-GFI	—	<b>CHU4N9NPTZ</b>

Metered Type—  
CHM1N9N4NPTZ



<b>Metered—Ring</b>							
50/30/20	14-50R	5-20R2GFIWRTR	TT-30R	Non-GFI	Non-GFI	Non-GFI	<b>CHM1N9N4NP</b>
50/30/20	14-50R	5-20R2GFIWRTR	TT-30R	Non-GFI	Non-GFI	Non-GFI	<b>CHM1N9N4NPTZ</b>
<b>Metered—Ringless</b>							
50/30/20	14-50R	5-20R2GFIWRTR	TT-30R	Non-GFI	Non-GFI	Non-GFI	<b>CHR1N9N4NP</b>

CHU1N9N4NBTZ



Back-to-Back Pedestal Type

Ampere Series	Receptacle Description			Breaker Description			Catalog Number
	Position	Left	Center	Right	1st	2nd	
<b>Unmetered</b> ①							
30/30/20	TT-30R	5-20R2GFIWRTR	TT-30R	Non-GFI	Non-GFI	Non-GFI	<b>CHU4N9N4NB</b>
50/30/20	14-50R	5-20R2GFIWRTR	TT-30R	Non-GFI	Non-GFI	Non-GFI	<b>CHU1N9N4NBTZ</b>
<b>Metered—Ring</b> ①							
50/30/20	14-50R	5-20R2GFIWRTR	TT-30R	Non-GFI	Non-GFI	Non-GFI	<b>CHM1N9N4NBTZ</b>
<b>Metered—Ringless</b> ①							
50/30/20	14-50R	5-20R2GFIWRTR	TT-30R	Non-GFI	Non-GFI	Non-GFI	<b>CHR1N9N4NBTZ</b>

Notes

① The pedestal back-to-back units have receptacles and circuit breakers as shown for each panel and share one common pedestal with loop feed lugs. Contact your local Eaton sales office for configurations not listed.

Accessories

See Page V1-T5-7.

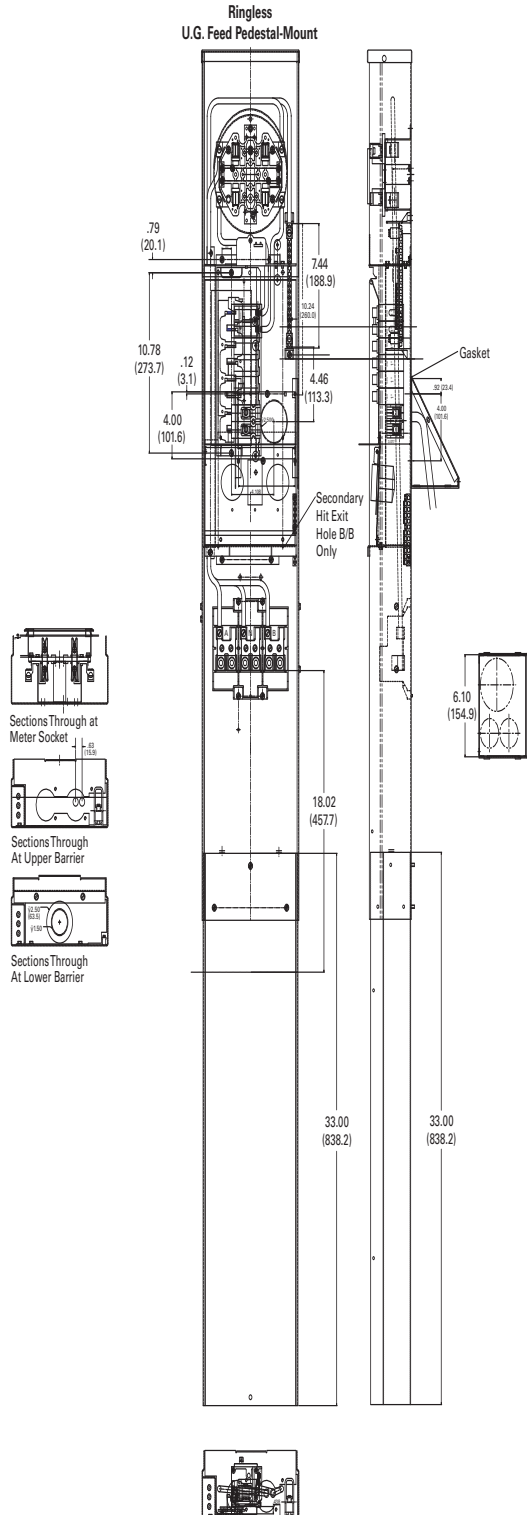
#### Dimensions

Approximate Dimensions in Inches (mm)

#### Metered Units

#### 100 A Pedestal

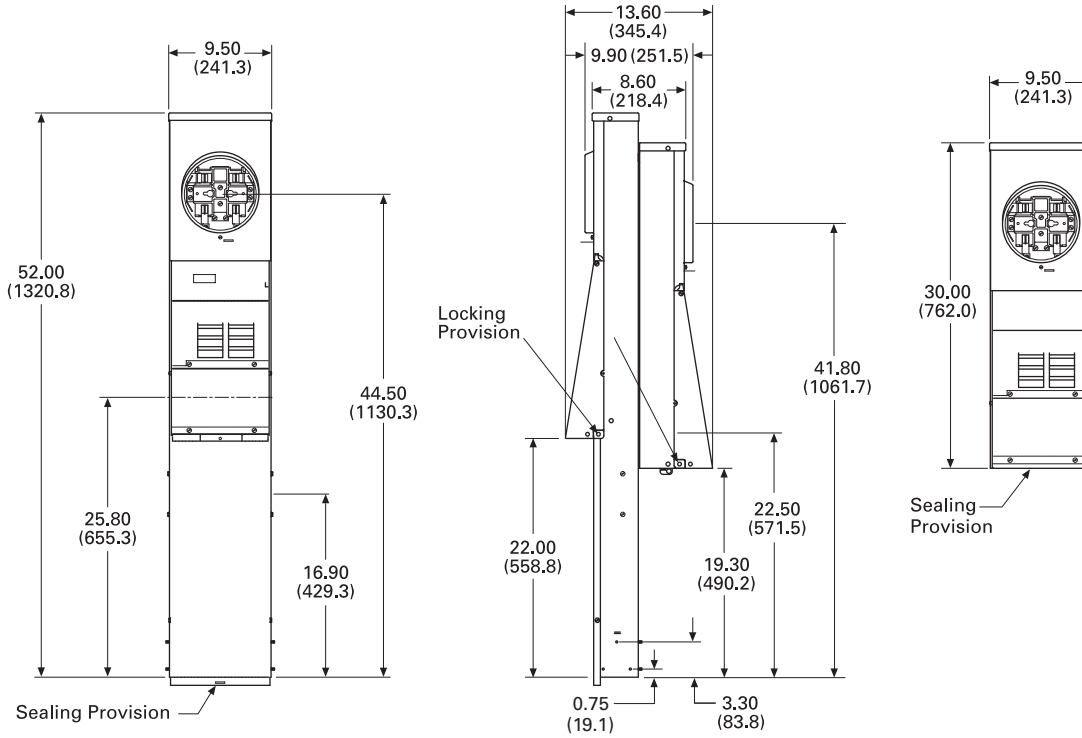
5



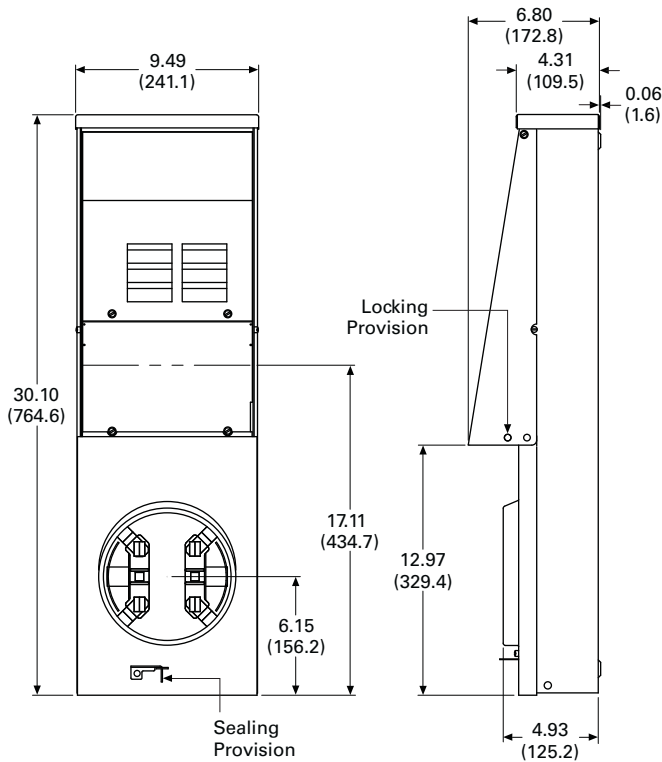
Approximate Dimensions in Inches (mm)

**Metered Units (Ring and Ringless)**

**Metered Back-to-Back Pedestal Type**



**Bottom Fed Type**



# 5.2

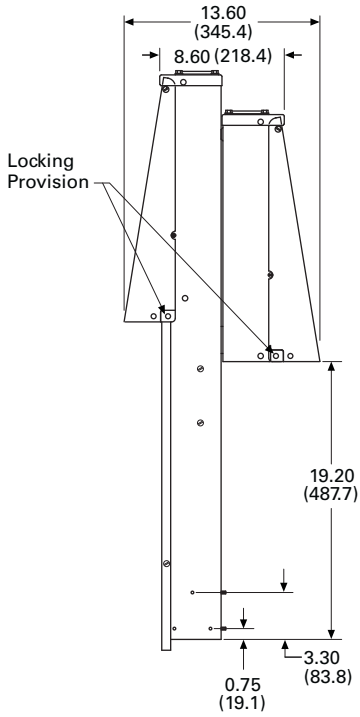
## Power Pedestals

### Temporary Power/RV Park

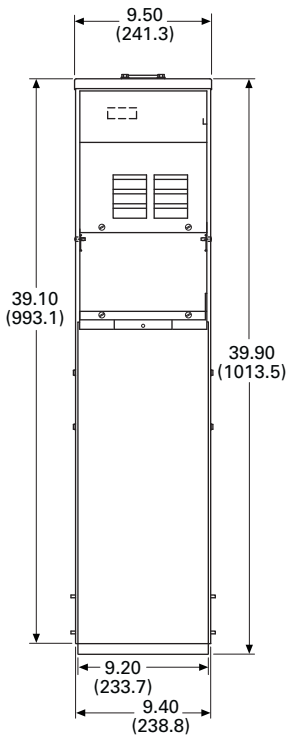
Approximate Dimensions in Inches (mm)

#### Unmetered Back-to-Back Pedestal Type

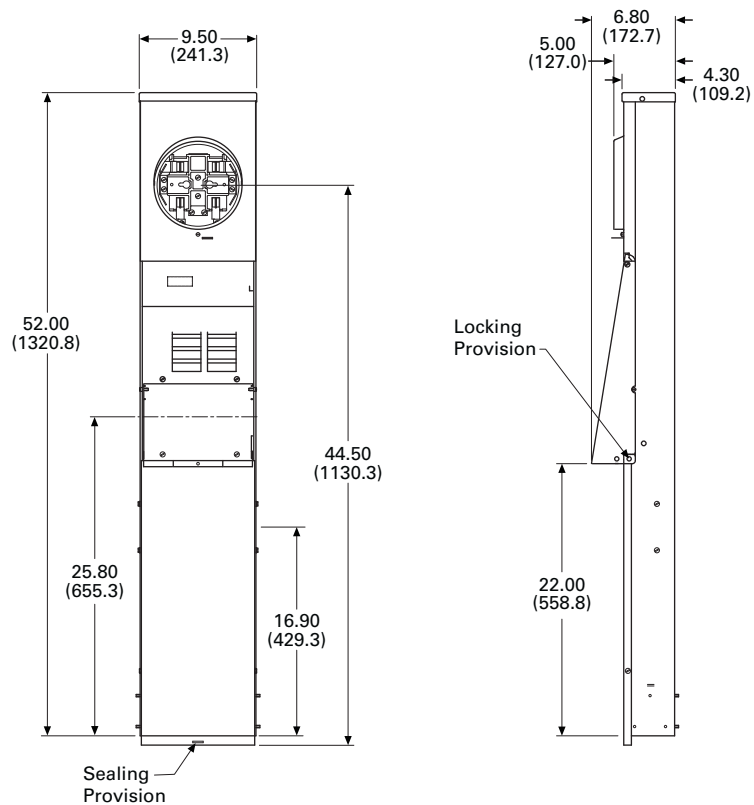
5



#### Unmetered Pedestal Type



#### Metered Pedestal Type



## Power Outlet Panels



## Product Overview

Eaton's versatile Mobile Home Panels have a user-friendly design that allows for a faster, cleaner installation.

100 and 200 A panels come complete with the main breaker and a 4/8 or 8/16 interior, respectively. The 200 A units are designed with ample width to ensure plenty of room for wire bending and an easier installation.

## Receptacle Deadfront Kits

Optional receptacle deadfront kits enable the field installation of contractor supplied receptacles and breakers that can supply power for a variety of applications including:

- Visiting RVs
- Temporary power
- Lawn equipment
- Air compressors
- Anything else that requires cord-connected power

## Contents

### Description

Mobile Home Panels

	<i>Page</i>
Catalog Number Selection . . . . .	<b>V1-T5-22</b>
Product Selection . . . . .	<b>V1-T5-22</b>
Accessories . . . . .	<b>V1-T5-23</b>
Dimensions . . . . .	<b>V1-T5-24</b>

## Features

### Fastenerless Socket Design

- Eliminates overheating caused by loose socket connections

### Pedestal Unit

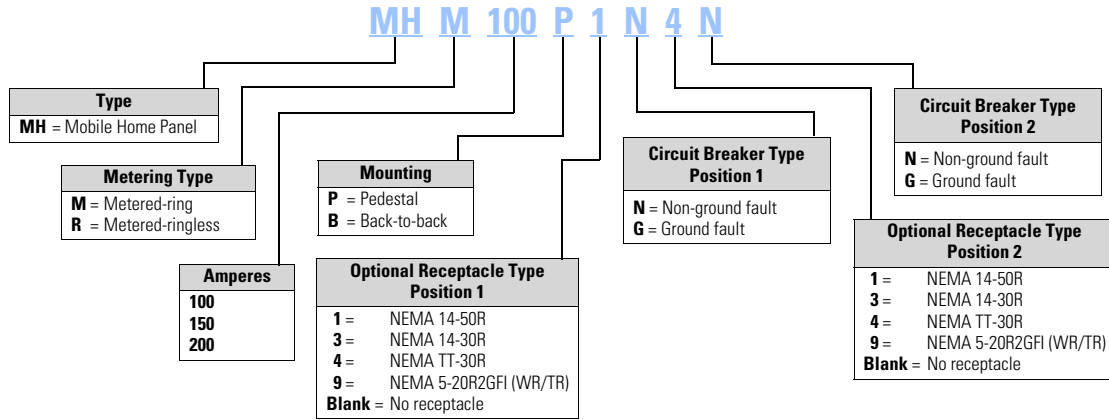
- Convenient and sturdy ground mounting
- Loop feed feature allows several units to be connected in series

### Easier, Better and Faster Installation

- More wire bending and viewing room
- Additional circuits mean more flexibility

### Catalog Number Selection

#### Mobile Home Panels



### Product Selection

#### Mobile Home Panel



#### Mobile Home Panels ①

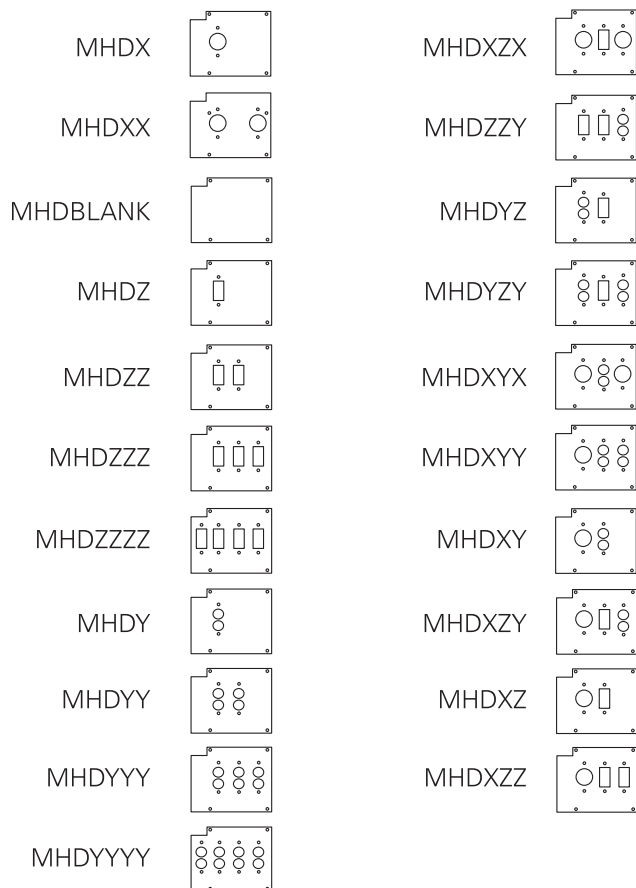
Amperes	Security	Interior	Main	Branch Breakers	Mounting	Receptacles	Catalog Number
100	Ring	4/8	<b>BR2100</b>	BR	Pedestal	None	<b>MHM100P</b>
100	Ring	4/8	<b>BR2100</b>	BR	Back-to-back	None	<b>MHM100B</b>
100	Ringless	4/8	<b>BR2100</b>	BR	Pedestal	None	<b>MHR100P</b>
100	Ringless	4/8	<b>BR2100</b>	BR	Back-to-back	None	<b>MHR100B</b>
150	Ring	8/16	<b>CSR2150</b>	BR	Pedestal	None	<b>MHM150P</b>
150	Ring	8/16	<b>CSR2150</b>	BR	Back-to-back	None	<b>MHM150B</b>
150	Ringless	8/16	<b>CSR2150</b>	BR	Pedestal	None	<b>MHR150P</b>
150	Ringless	8/16	<b>CSR2150</b>	BR	Back-to-back	None	<b>MHR150B</b>
200	Ring	8/16	<b>CSR2200</b>	BR	Pedestal	None	<b>MHM200P</b>
200	Ring	8/16	<b>CSR2200</b>	BR	Back-to-back	None	<b>MHM200B</b>
200	Ringless	8/16	<b>CSR2200</b>	BR	Pedestal	None	<b>MHR200P</b>
200	Ringless	8/16	<b>CSR2200</b>	BR	Back-to-back	None	<b>MHR200B</b>
200	Ringless	8/16	<b>CSR2200</b>	BR	Pedestal	Qty 1 14-50R Qty 2 TT-30R	<b>MHM200P1N4N4N</b>

**Note**

① Pedestal Extension included with Mobile Home Panels.

**Mobile Home Panel Deadfronts for 200 A Units** ①

**Available Receptacle Deadfront Kits—Receptacles and Breakers Not Included**



**Accessories**

**Mobile Home Panels**

Hubs not used on mobile home panels.

Description	Amperes	Catalog Number
Direct feed kit	—	MHDFK
Pedestal extension	200	MHPEDEXT
Stainless steel pedestal extension	200	MHPEDEXTSS
Padmount adapter	200	MHPADEXT
Padmount adapter	100	CHPADEXT100

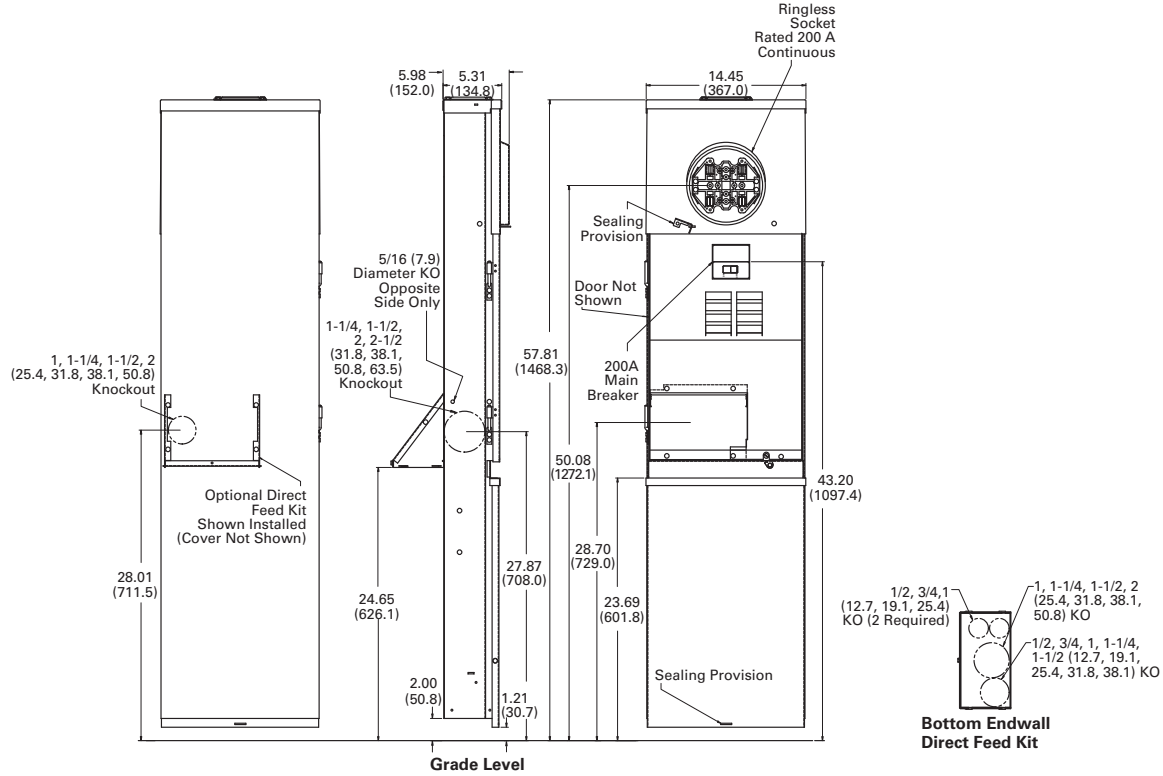
**Note**

① For 100 A units, the accessory Catalog Number would be MHD1\_\_\_\_. For example, to order a deadfront to accept one 30 A receptacle (round) in a 100 ampere device, the Catalog Number would be MHD1X.

#### Dimensions

Approximate Dimensions in Inches (mm)

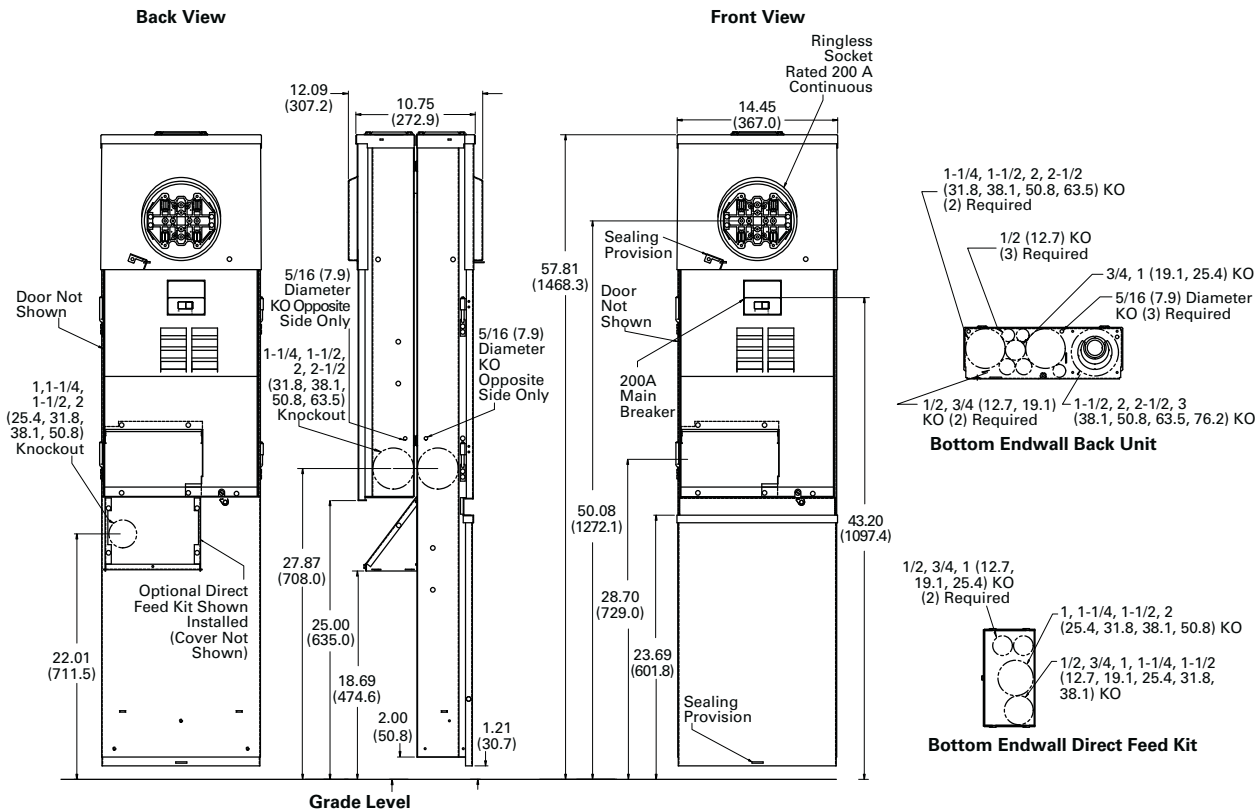
#### Mobile Home Panel—Ringless—Pedestal Mounting





Approximate Dimensions in Inches (mm)

Mobile Home Panel—Ringless—Back-to-Back Mounting



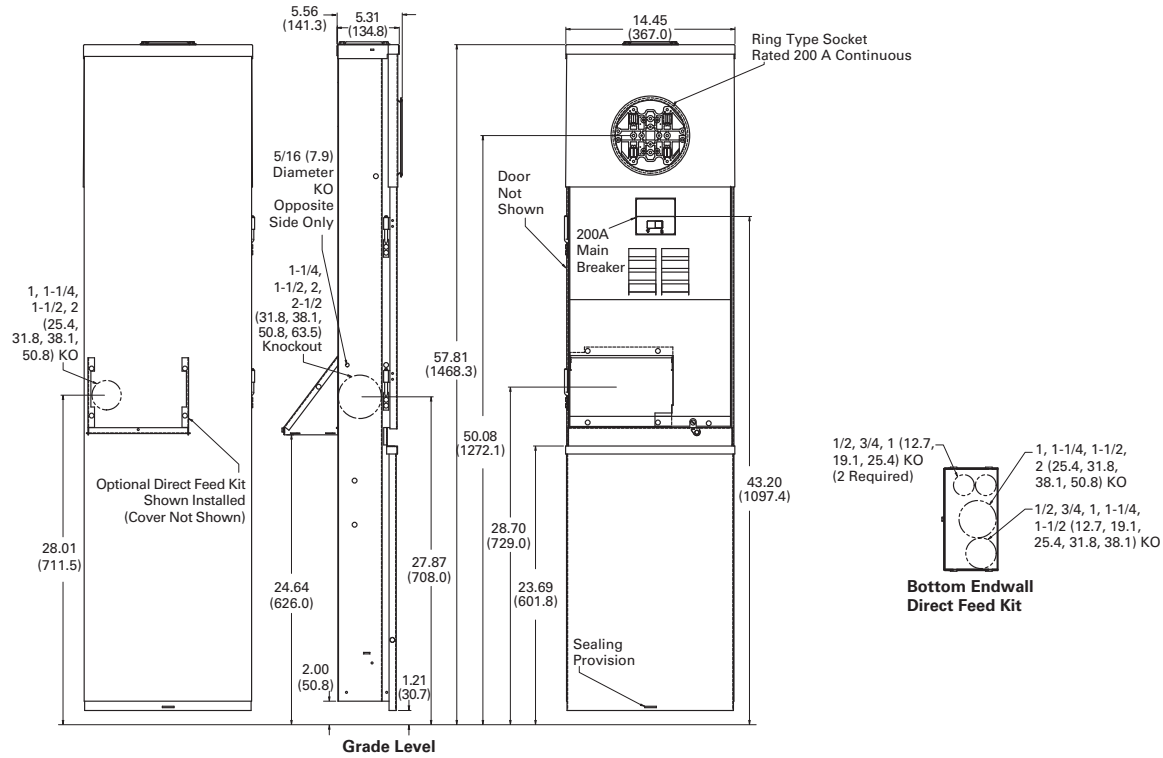
# 5.3

## Power Pedestals

### Mobile Home Panels

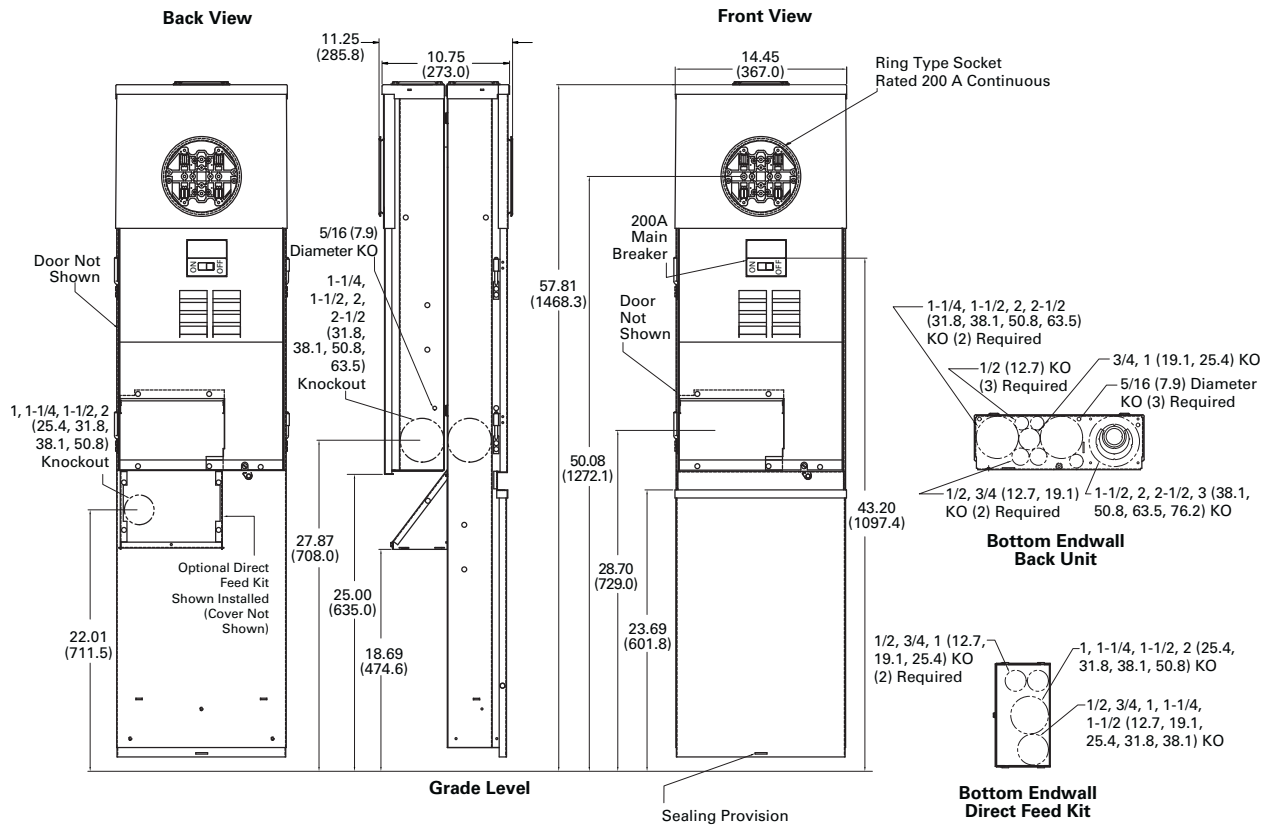
Approximate Dimensions in Inches (mm)

#### Mobile Home Panel—Ring—Pedestal Mounting



Approximate Dimensions in Inches (mm)

Mobile Home Panel—Ring—Back-to-Back Mounting



Recreational Vehicle/Campground Products



*High-Quality, Weatherproof Electrical Equipment*

5

### Contents

<i>Description</i>	<i>Page</i>
Power Pedestals	
Product Selection Guide . . . . .	<b>V1-T5-29</b>
Powerhouse Power Pedestal . . . . .	<b>V1-T5-30</b>
Powerhouse—Stainless Steel (SS) Power Pedestal . . . . .	<b>V1-T5-33</b>
Newport Camp Mate Power Pedestal . . . . .	<b>V1-T5-36</b>
Firehouse . . . . .	<b>V1-T5-39</b>
Digital Electronic Kilowatt-hour Meters . . . . .	<b>V1-T5-41</b>
Distribution Equipment—Ground Fault Monitor . . . . .	<b>V1-T5-42</b>
Distribution Equipment—Substations . . . . .	<b>V1-T5-43</b>
Distribution Equipment—Panels . . . . .	<b>V1-T5-46</b>
Distribution Equipment—Transformers . . . . .	<b>V1-T5-47</b>

### Power Pedestals

#### Product Overview

On March 24, 2006, RV Park Hook-Ups® joined together with Eaton to provide unmatched products and services in the recreational vehicle industry, as well as the marina industry. Known as the leader in electrical control, power distribution, and industrial automation products and services, Eaton is a quality driven company that constantly looks for ways to provide enhanced products and service solutions for their customers. Eaton will be able to provide RV park developers a complete electrical solution. For more information on the other products available from Eaton, visit us online at [www.eaton.com](http://www.eaton.com) or [www.rvparkhookups.com](http://www.rvparkhookups.com)

#### What Eaton has to Offer

- Complementary comprehensive in-house electrical designs for your complete RV or marina development
- RV and marina power pedestals
- Custom substations
- Transformers
- Panels
- Wire
- Digital electronic meters
- Receptacles and breakers
- Specialized electrical parts and equipment

**Product Selection Guide**

**Power Receptacles**



Power Outlets		Phase	Maximum GFI Powerhouse	Powerhouse-SS	Newport Camp Mate
Side One	Side Two				
None	None	1	2	2	2
30-20	00	1	2	2	1
30-20	30-20	1	2	2	—
30-30-20	30-30-20	1	2	2	—
30-20	50-20	1	2	2	—
30-30-20	50-20	1	2	2	—
30-30-20	30-50-20	1	2	2	—
30-30-20	50-50-20	1	2	2	—
30-50-20	30-50-20	1	2	2	—
30-50-20	50-50-20	1	2	2	—
50-20	None	1	2	2	—
50-20	50-20	1	2	2	—
50-50-20	50-20	1	2	2	—
50-50-20	50-50-20	1	2	2	—
30-50-20	None	1	2	2	0

#### Powerhouse Power Pedestal



5

### Contents

<i>Description</i>	<i>Page</i>
Power Pedestals . . . . .	<b>V1-T5-28</b>
Powerhouse Power Pedestal	
Standards and Certifications . . . . .	<b>V1-T5-31</b>
Catalog Number Selection . . . . .	<b>V1-T5-31</b>
Accessories . . . . .	<b>V1-T5-32</b>
Dimensions . . . . .	<b>V1-T5-32</b>
Powerhouse—Stainless Steel (SS) Power Pedestal	<b>V1-T5-33</b>
Newport Camp Mate Power Pedestal . . . . .	<b>V1-T5-36</b>
Firehouse . . . . .	<b>V1-T5-39</b>
Digital Electronic Kilowatt-hour Meters . . . . .	<b>V1-T5-41</b>
Distribution Equipment—Ground Fault Monitor . . . . .	<b>V1-T5-42</b>
Distribution Equipment—Substations . . . . .	<b>V1-T5-43</b>
Distribution Equipment—Panels . . . . .	<b>V1-T5-46</b>
Distribution Equipment—Transformers . . . . .	<b>V1-T5-47</b>

### Powerhouse Power Pedestal

#### Product Description

The Powerhouse® RV utility center is our most popular pedestal for single or double RV sites because of its full complement of standard features and available option packages able to meet any user requirement. The housing is made of durable weatherproof engineered resin and will never rust or deteriorate.

That's why it comes with a limited lifetime warranty. Since the Powerhouse can accommodate two RV sites, it's an economical pedestal for double site installation. This unit is ideal for new, or when retrofitting, full-service RV parks.

#### Features

- Photocell controlled 13 watt fluorescent light with amber lens
- Lockable weatherproof doors that protect receptacles and breakers
- Hose and cable brackets
- Engineered resin housing with a two-part polyurethane coating for a UV-resistant, long-lasting finish
- Limited lifetime warranty on the housing
- Loop-feed mechanical busbars that can accept up to 250 kcmil wire
- Hinged pedestal base providing easy access for installation and maintenance

#### Surge Protection

SurgeTrap is designed to protect electrical and electronic loads from transients and surge disturbances on your AC power line, such as voltage surges, spikes and lighting. The SurgeTrap has a lifetime warranty where Eaton will replace the SurgeTrap device at no charge.

- 175 kA maximum surge current
- 3500 joules
- Type 3R enclosure
- Comes with a protection working indicator light
- Factory installed integral to pedestal or available for retrofit

#### Available Options

- Clear lens
- Photocell controlled single or dual 7 watt or 13 watt fluorescent light
- Telephone (RJ-11) for each side
- Cable TV for each side
- High-speed Internet connector (RJ-45) for each side
- Water—single or dual 1/4-turn brass ball valves (brass "T" connection) with 3/4-inch hose bibs
- Water meters with remote capability
- Water—anti-siphon faucet
- Loop-feed 3/8-inch stud lug copper busbar for up to 250 kcmil wire (recommended for salt water environments)
- Single-feed mechanical busbars for up to 250 kcmil wire
- Digital electronic meter for each side
- Wireless remote reading of electronic kilowatt meters
- Meter socket for each side powered (to accept glass style meter)
- Direct burial ground mounting stand stainless or galvanized
- Custom paint color

**Standards and Certifications**

- UL/CSA listed



**Catalog Number Selection**

P D U 2 0 x x 2 0 x x 2 0 R S

**Type**

**P** = Powerhouse  
**Z** = PHSS

**Lighting and Lens Color**

**D** = LED Amber  
**I** = LED Clear  
**N** = LED Special  
**F** = No lighting Amber  
**L** = No lighting Clear  
**Y** = No lighting Special

**Metering Type**

**U** = Unmetered  
**1** = Digital electronic meters (side 1)  
**2** = Digital electronic meters (side 2)  
**E** = Digital electronic metering (entire pedestal)  
**B** = Digital electronic metering (both sides)  
**R** = Receptacles metered individually (one/rec.)

**Sides and Receptacles**

R1S1	R2S1	R3S1	R4S1	R1S2	R2S2	R3S2	R4S2
0	0	x	x	0	0	x	x
1	1			1	1		
2	2			2	2		
4	4			4	4		

**Water Option** ①

**0** = 0  
**1** = 1  
**2** = 2  
**3** = Single water meter  
**4** = Dual water meter  
**5** = Single meter for two valves

**Extra Unmetered GFI Receptacles**

**0** = None  
**1** = 1  
**2** = 2

**Phone Cable TV and Internet Options**

	Phone Jack	Cable TV Jack	Internet Option
<b>A</b>	= 1	0	0
<b>B</b>	= 1	0	1
<b>C</b>	= 1	0	2
<b>D</b>	= 1	1	0
<b>E</b>	= 1	1	1
<b>F</b>	= 1	1	2
<b>G</b>	= 1	2	0
<b>H</b>	= 1	2	1
<b>I</b>	= 1	2	2
<b>J</b>	= 2	0	0
<b>K</b>	= 2	0	1
<b>L</b>	= 2	0	2
<b>M</b>	= 2	1	0
<b>N</b>	= 2	1	1
<b>O</b>	= 2	1	2
<b>P</b>	= 2	2	0
<b>Q</b>	= 2	2	1
<b>R</b>	= 2	2	2
<b>S</b>	= 0	2	2
<b>T</b>	= 0	0	1
<b>U</b>	= 0	0	2
<b>V</b>	= 0	1	0
<b>W</b>	= 0	1	1
<b>X</b>	= 0	1	2
<b>Y</b>	= 0	2	0
<b>Z</b>	= 0	2	1
<b>0</b>	= 0	0	0

**Bus**

**S** = Single-phase 3/8-inch copper bus bar  
**F** = Three-phase 3/8-inch copper bus bar  
**M** = Single-phase 300 kcmil mechanical lug bus  
**Z** = Three-phase 300 kcmil mechanical lug bus  
**L** = Single-phase 350 kcmil mechanical lug bus  
**P** = Three-phase 350 kcmil mechanical lug bus  
**N** = Single-phase 1/4-inch copper bus bar  
**Q** = Single-phase 3/8-16-inch copper bus bar  
**R** = Three-phase 3/8-16-inch copper bus bar  
**T** = Single-phase 300 kcmil mechanical lug Canadian bus  
**U** = Single-phase 350 kcmil mechanical lug Canadian bus  
**V** = Single-phase 350 kcmil mechanical lug Canadian bus  
**W** = Three-phase 350 kcmil mechanical lug Canadian bus

Receptacle: R1S1 = Receptacle 1, Side 1  
 R2S1 = Receptacle 2, Side 1  
 R3S1 = Receptacle 3, Side 1  
 R1S2 = Receptacle 1, Side 2  
 R2S2 = Receptacle 2, Side 2  
 R3S2 = Receptacle 3, Side 2

**Notes**

① Number represents the quantity of 1/4-turn ball valves with 3/4-inch hose bibs.  
 Internet option also available. Contact factory for details.



# 5.4

## Power Pedestals

### RV Park Hook-Ups

#### Accessories

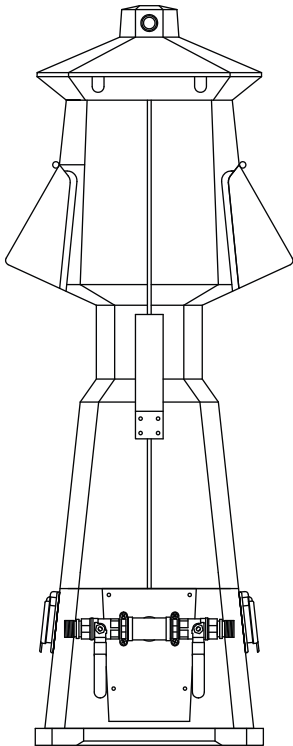
See **Page V1-T5-7**.

#### Dimensions

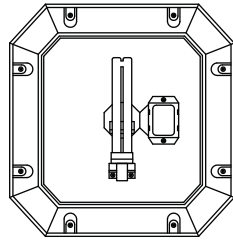
Approximate Dimensions in Inches (mm)

#### Powerhouse

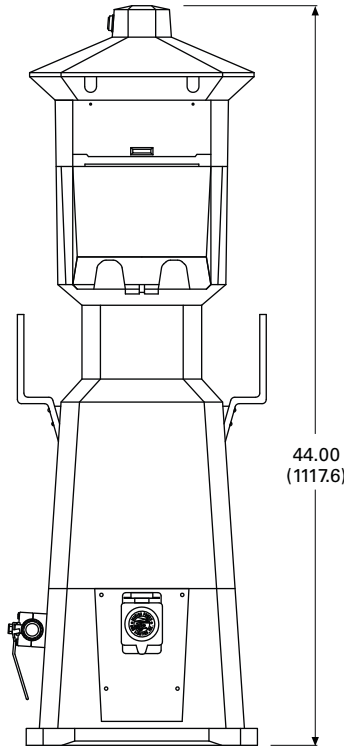
5



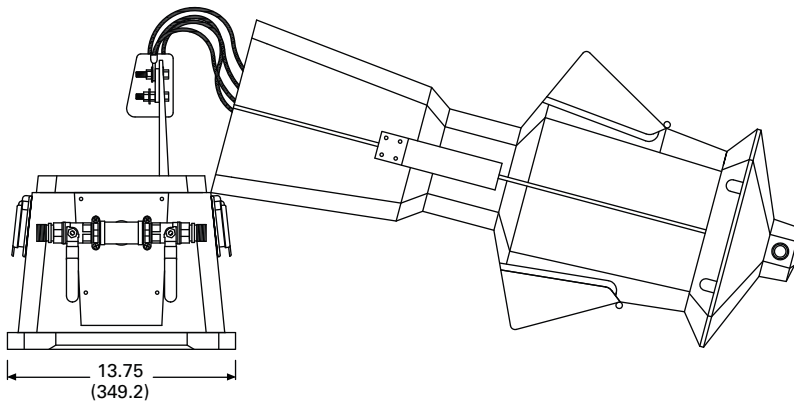
Side View



Top



Front View



Broken View



**Powerhouse—Stainless Steel (SS) Power Pedestal****Contents**

<b>Description</b>	<b>Page</b>
Power Pedestals . . . . .	<b>V1-T5-28</b>
Powerhouse Power Pedestal . . . . .	<b>V1-T5-30</b>
Powerhouse—Stainless Steel (SS) Power Pedestal Catalog Number Selection . . . . .	<b>V1-T5-34</b>
Accessories . . . . .	<b>V1-T5-35</b>
Dimensions . . . . .	<b>V1-T5-35</b>
Newport Camp Mate Power Pedestal . . . . .	<b>V1-T5-36</b>
Firehouse . . . . .	<b>V1-T5-39</b>
Digital Electronic Kilowatt-hour Meters . . . . .	<b>V1-T5-41</b>
Distribution Equipment—Ground Fault Monitor . . . . .	<b>V1-T5-42</b>
Distribution Equipment—Substations . . . . .	<b>V1-T5-43</b>
Distribution Equipment—Panels . . . . .	<b>V1-T5-46</b>
Distribution Equipment—Transformers . . . . .	<b>V1-T5-47</b>

**Powerhouse—Stainless Steel (SS) Power Pedestal****Product Description**

For long-lasting durability and low maintenance, the new stainless steel Powerhouse—SS pedestal is the most resilient power center offered.

We have designed a stainless steel pedestal that will meet and exceed all applicable codes and withstand harsh inland and coastal environments.

**Features**

- Stainless steel housing with a limited lifetime warranty
- Photocell controlled 13 watt fluorescent light with amber lens
- Large removable access panel for easy installation and maintenance
- Weatherproof doors that protect receptacles and breakers
- Backlit faceplate to aid in hooking up at night
- Hose and cable brackets
- Powder-coated finish
- Loop-feed mechanical bus bars that can accept up to 350 kcmil wire

**Available Options**

- Clear lens
- Photocell controlled single or dual 7 watt or 13 watt fluorescent light
- Telephone (RJ-11) for each side
- Cable TV for each side
- High-speed Internet connection (RJ-45) for each side
- Water—single or dual 1/4-turn brass ball valves (brass “T” connection) with 3/4-inch hose bibs
- Water meters with remote capability
- Water—anti-siphon faucet
- Direct burial stainless steel ground mounting stand
- Lockable doors
- Loop-feed 3/8-inch stud lug copper busbar for up to 350 kcmil wire (recommended for salt water environments)
- Single-feed mechanical busbars for up to 350 kcmil wire
- Digital electronic metering for each side
- Wireless remote reading of electronic kilowatt meters
- Meter socket for each side powered (to accept glass style meter)
- Four door design to add more outlets per pedestal

#### Catalog Number Selection

Z D U 2 0 x x 2 0 x x 2 0 R S

Type	
P	= Powerhouse
Z	= PHSS

Lighting and Lens Color	
D	= LED Amber
I	= LED Clear
N	= LED Special
F	= No lighting Amber
L	= No lighting Clear
Y	= No lighting Special

Metering Type	
U	= Unmetered
1	= Digital electronic meters (side 1)
2	= Digital electronic meters (side 2)
E	= Digital electronic metering (entire pedestal)
B	= Digital electronic metering (both sides)
R	= Receptacles metered individually (one/rec.)
M	= One 100 A meter socket (ring-type)
N	= One 100 A meter socket (ringless)
V	= One meter socket (200 A)
O	= Two 100 A meter socket (ring-type)
P	= Two 100 A meter socket (ringless)

Sides and Receptacles							
R1S1	R2S1	R3S1	R4S1	R1S2	R2S2	R3S2	R4S2
0	0	x	x	0	0	x	x
1	1			1	1		
2	2			2	2		
4	4			4	4		

x = None  
 0 = None  
 1 = 20 A GFI duplex  
 2 = 30 A, 125 V  
 4 = 50 A, 125/250 V

Water Option ①	
0	= 0
1	= 1
2	= 2
3	= Single water meter
4	= Dual water meter
5	= Single meter for two valves

Extra Unmetered GFI Receptacles	
0	= None
1	= 1
2	= 2

Phone Cable TV and Internet Options			
	Phone Jack	Cable TV Jack	Internet Option
A	= 1	0	0
B	= 1	0	1
C	= 1	0	2
D	= 1	1	0
E	= 1	1	1
F	= 1	1	2
G	= 1	2	0
H	= 1	2	1
I	= 1	2	2
J	= 2	0	0
K	= 2	0	1
L	= 2	0	2
M	= 2	1	0
N	= 2	1	1
O	= 2	1	2
P	= 2	2	0
Q	= 2	2	1
R	= 2	2	2
S	= 0	2	2
T	= 0	0	1
U	= 0	0	2
V	= 0	1	0
W	= 0	1	1
X	= 0	1	2
Y	= 0	2	0
Z	= 0	2	1
0	= 0	0	0

Bus	
S	= Single-phase 3/8-inch copper bus bar
F	= Three-phase 3/8-inch copper bus bar
M	= Single-phase 300 kcmil mechanical lug bus
Z	= Three-phase 300 kcmil mechanical lug bus
L	= Single-phase 350 kcmil mechanical lug bus
P	= Three-phase 350 kcmil mechanical lug bus
N	= Single-phase 1/4-inch copper bus bar
Q	= Single-phase 3/8-16-inch copper bus bar
R	= Three-phase 3/8-16-inch copper bus bar
T	= Single-phase 300 kcmil mechanical lug Canadian bus
U	= Single-phase 350 kcmil mechanical lug Canadian bus
V	= Single-phase 350 kcmil mechanical lug Canadian bus
W	= Three-phase 350 kcmil mechanical lug Canadian bus

Receptacle: R1S1 = Receptacle 1, Side 1  
 R2S1 = Receptacle 2, Side 1  
 R3S1 = Receptacle 3, Side 1  
 R1S2 = Receptacle 1, Side 2  
 R2S2 = Receptacle 2, Side 2  
 R3S2 = Receptacle 3, Side 2

**Notes**

① Number represents the quantity of 1/4-turn ball valves with 3/4-inch hose bibs.

Internet option also available. Contact factory for details.

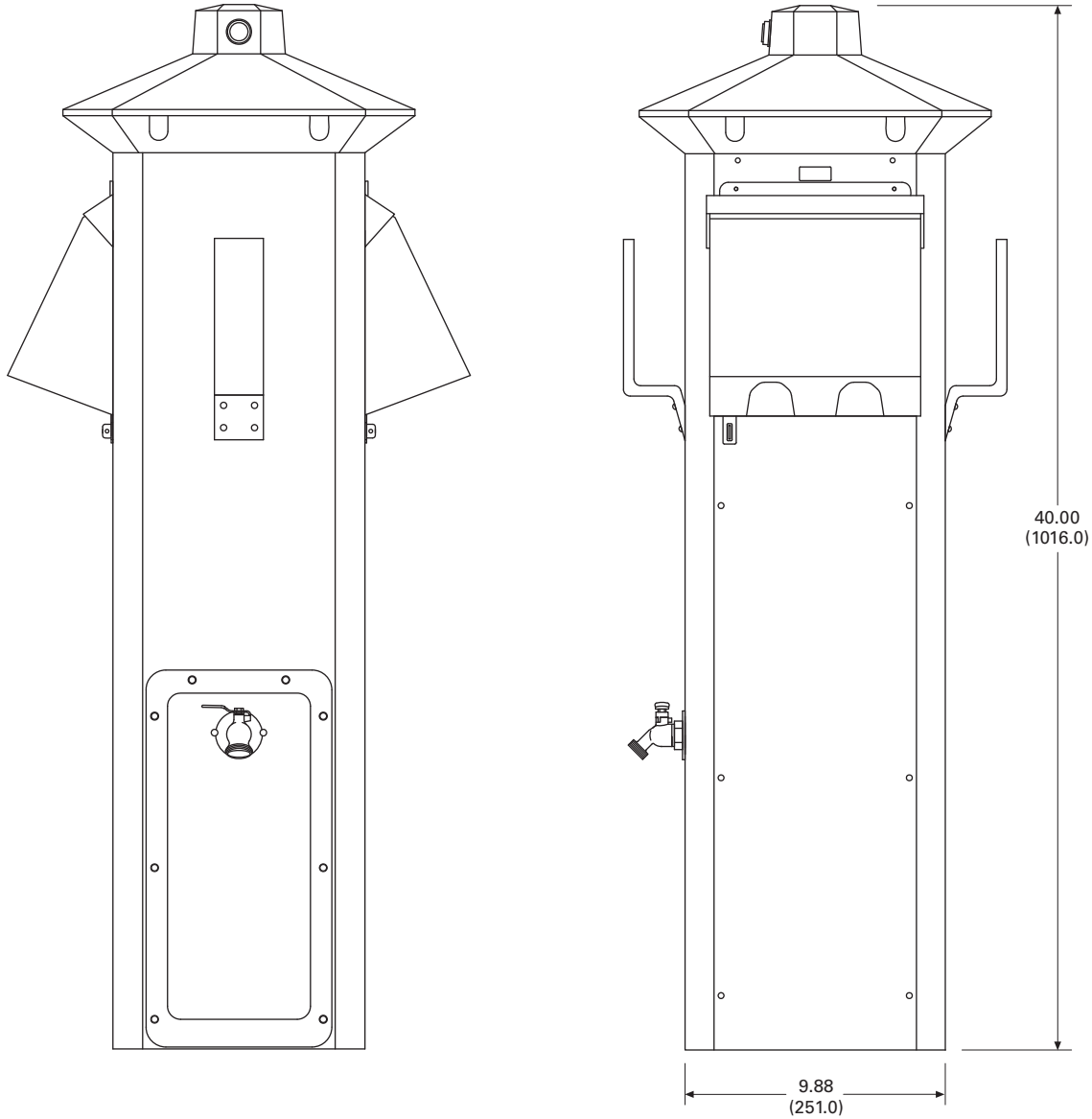
**Accessories**

See **Page V1-T5-7**.

**Dimensions**

Approximate Dimensions in Inches (mm)

**Powerhouse—Stainless Steel (SS)**



#### Newport Camp Mate Power Pedestal



5

### Contents

<b>Description</b>	<b>Page</b>
Power Pedestals . . . . .	<b>V1-T5-28</b>
Powerhouse Power Pedestal . . . . .	<b>V1-T5-30</b>
Powerhouse—Stainless Steel (SS) Power Pedestal . . . . .	<b>V1-T5-33</b>
Newport Camp Mate Power Pedestal	
Catalog Number Selection . . . . .	<b>V1-T5-37</b>
Accessories . . . . .	<b>V1-T5-38</b>
Dimensions . . . . .	<b>V1-T5-38</b>
Firehouse . . . . .	<b>V1-T5-39</b>
Digital Electronic Kilowatt-hour Meters . . . . .	<b>V1-T5-41</b>
Distribution Equipment—Ground Fault Monitor . . . . .	<b>V1-T5-42</b>
Distribution Equipment—Substations . . . . .	<b>V1-T5-43</b>
Distribution Equipment—Panels . . . . .	<b>V1-T5-46</b>
Distribution Equipment—Transformers . . . . .	<b>V1-T5-47</b>

### Newport Camp Mate Power Pedestal

#### Product Description

The Newport Camp Mate provides many of the features and options of our other full-size pedestals, but in a compact self-contained unit. This model provides more mounting options to RV park owners than any other model. It can be mounted to our stainless steel stand either flanged or direct burial, a post or any wall.

It comes standard with a resin housing that will never rust or deteriorate and provides area lighting as well as aiding in hooking up at night. This unit is especially suitable to many RV park renovation projects as well as new RV parks.

#### Features

- Photocell controlled 7 watt fluorescent light with amber lens
- Lockable weatherproof door that protects receptacles and breakers
- Engineered resin housing
- Limited lifetime warranty on the housing
- Designed to mount on a post, wall or an optional custom stand
- Loop-feed 1/4-inch copper stud lug busbars that can accept 2/0 AWG wire for Camp Mate without optional stand
- Loop-feed mechanical busbars that can accept up to 2/0 AWG wire for Camp Mate on optional stand

#### Available Options

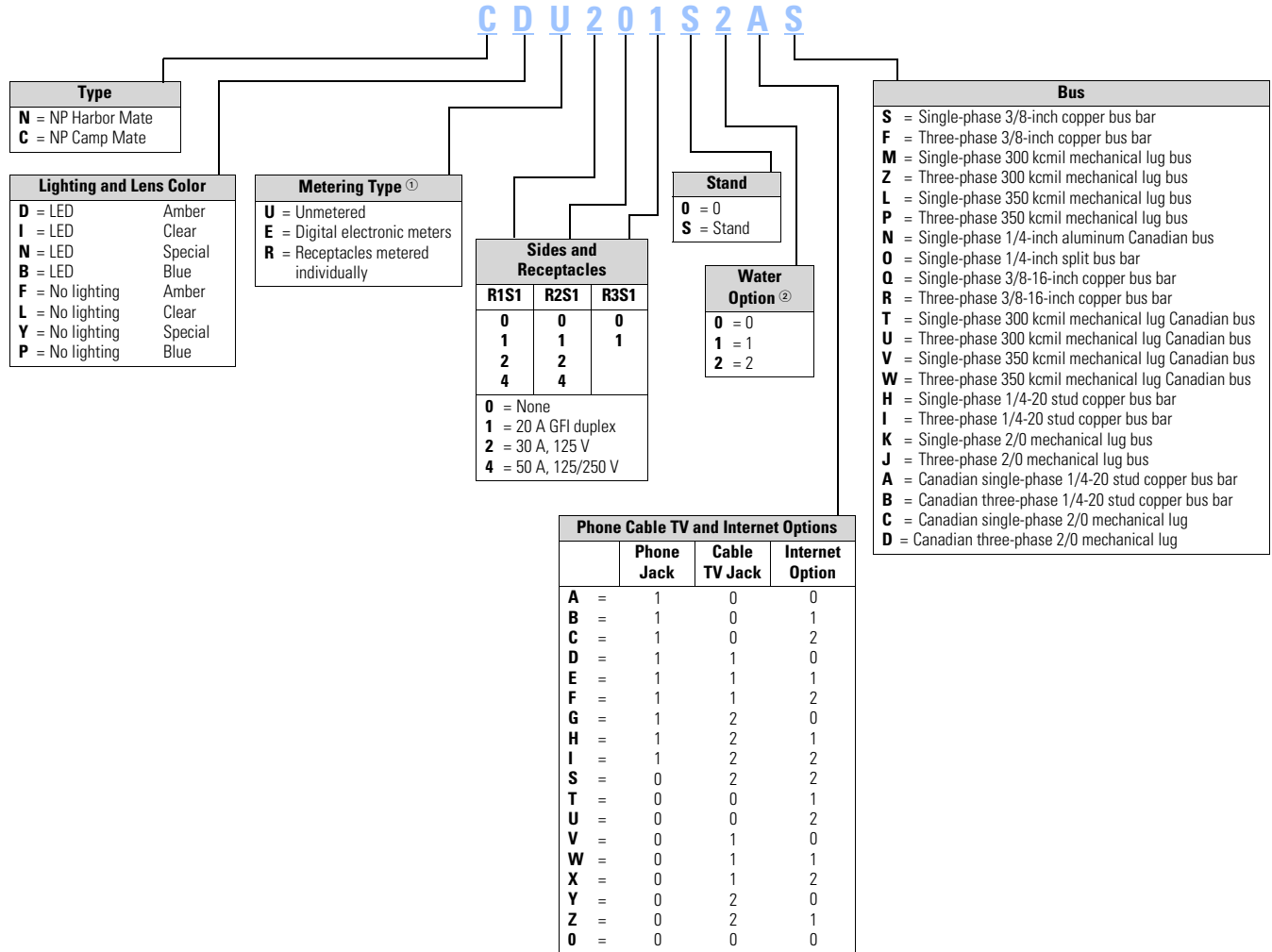
- 36-inch stainless steel stand
- 40-inch stainless steel pad-mounted stand
- 60-inch direct burial stainless steel stand
- Telephone (RJ-11)
- Cable TV
- High-speed Internet connector (RJ-45)
- Water—single or dual 1/4-turn brass ball valves (brass “T” connection) with 3/4-inch hose bibs mounted on optional stand
- Water—anti-siphon backflow preventer
- Loop feed 3/8-inch stud lug copper busbar for up to 350 kcmil wire with stand (recommended for salt water environments)
- Single-feed mechanical busbars for up to 350 kcmil wire available with stand
- Digital electronic meter
- Wireless remote reading of electronic kilowatt meter
- Meter socket available with aluminum stands (to accept glass style meter)

#### Standards and Certifications

The Newport Camp Mate is UL listed and comes with a limited lifetime warranty on the housing.



**Catalog Number Selection**



Receptacle: R1 = Receptacle 1  
 R2 = Receptacle 2  
 R3 = Receptacle 3

**Notes**

- ① 20 A GFIs not metered.
- ② Number represents the quantity of 1/4-turn ball valves with 3/4-inch hose bibs (with stand only).

# 5.4

## Power Pedestals

### RV Park Hook-Ups

#### Accessories

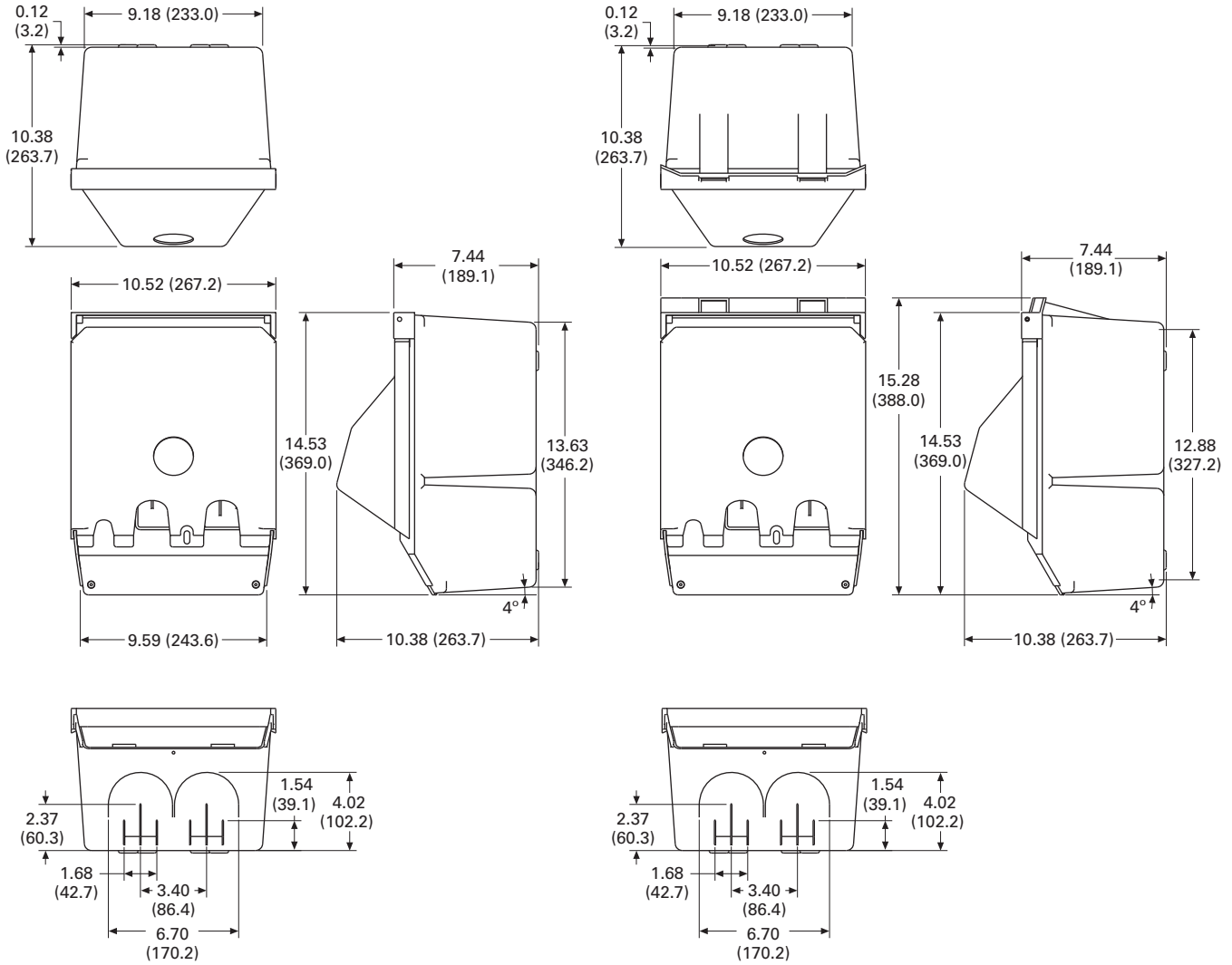
See Page V1-T5-72.

#### Dimensions

Approximate Dimensions in Inches (mm)

#### Newport Camp Mate

5



Newport Redesign

Newport Redesign With Meters

Firehouse



**Contents**

<i>Description</i>	<i>Page</i>
Power Pedestals . . . . .	<b>V1-T5-28</b>
Powerhouse Power Pedestal . . . . .	<b>V1-T5-30</b>
Powerhouse—Stainless Steel (SS) Power Pedestal . . . . .	<b>V1-T5-33</b>
Newport Camp Mate Power Pedestal . . . . .	<b>V1-T5-36</b>
Firehouse	
Accessories . . . . .	<b>V1-T5-40</b>
Dimensions . . . . .	<b>V1-T5-40</b>
Digital Electronic Kilowatthour Meters . . . . .	<b>V1-T5-41</b>
Distribution Equipment—Ground Fault Monitor . . . . .	<b>V1-T5-42</b>
Distribution Equipment—Substations . . . . .	<b>V1-T5-43</b>
Distribution Equipment—Panels . . . . .	<b>V1-T5-46</b>
Distribution Equipment—Transformers . . . . .	<b>V1-T5-47</b>

**Firehouse**

**Product Description**

The Firehouse is designed to provide added fire safety to RV parks and campgrounds. The Firehouse provides a convenient location and easy access to fire extinguishers and to an optional life ring when installed around pools and waterfront amenities.

In addition, the Firehouse provides area lighting for easy identification during an emergency and for security lighting around the unit. The Firehouse can be equipped with an alarm strobe light and siren, which are automatically activated when the fire extinguisher cabinet door is opened or the optional life ring is removed.

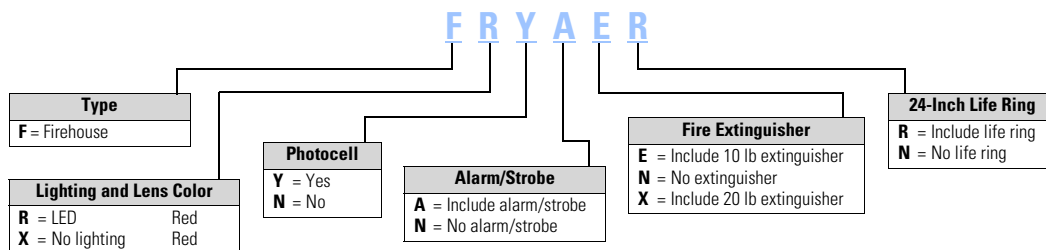
**Features**

- Photocell controlled 13 watt fluorescent light
- Amber lens for bug reduction
- 10 lb ABC Type fire extinguisher
- Stainless steel housing with oven-baked enamel finish with an engineered resin base and top
- Limited lifetime warranty on the housing

**Available Options**

- Alarm strobe light and siren
- Optional 24-inch white or orange life ring for poolside or dockside installations
- 20 lb ABC Type fire extinguisher

**Catalog Number Selection**



# 5.4

## Power Pedestals

### RV Park Hook-Ups

#### Accessories

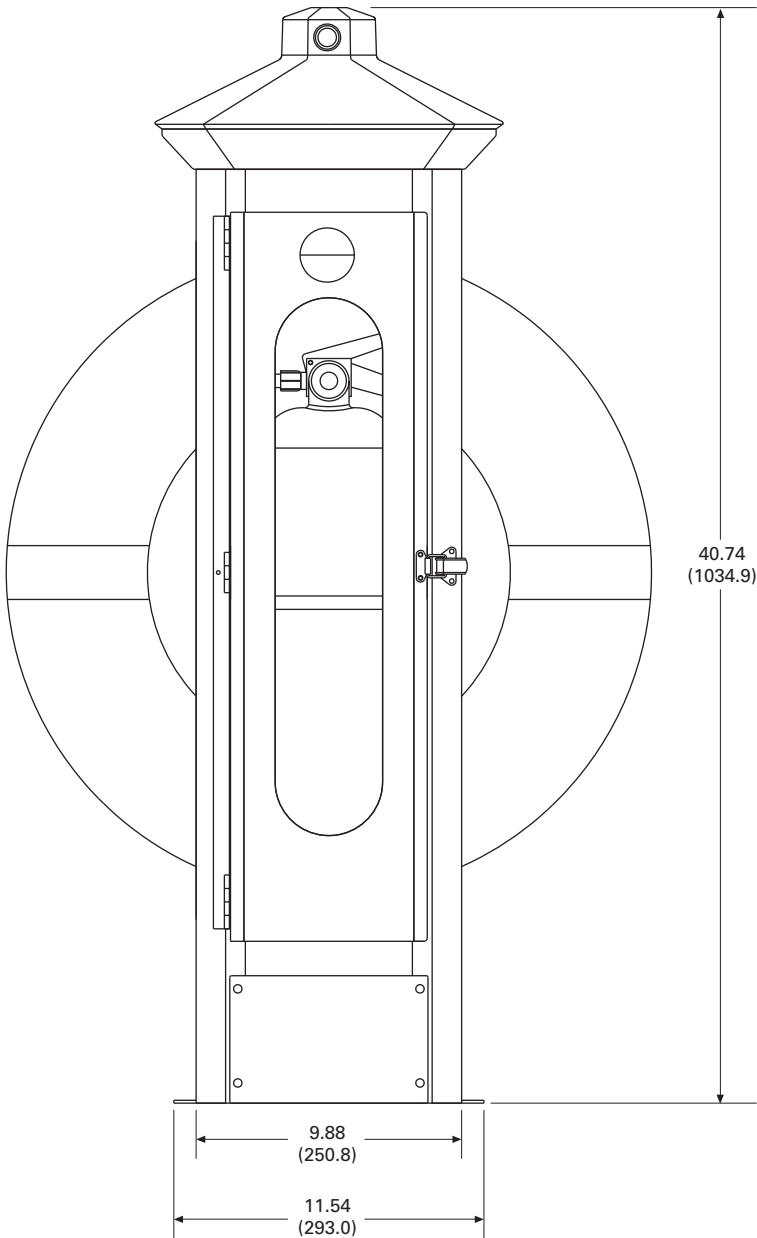
See **Page V1-T5-72**.

#### Dimensions

Approximate Dimensions in Inches (mm)

#### Firehouse-SS

5





**Digital Electronic Kilowatthour Meters**



**Digital Electronic Kilowatthour Meters**

**Product Description**

Using the latest surface mount technology, Eaton manufactures a digital electronic kilowatt hour meter that exceeds the +/- 2% accuracy required by ANSI (American National Standards Institute) C-12.1 and is approved by the state of California at +/- 1% over the full range of 0–100 A from a 0.5 to 1 power factor and is available for both single- and three-phase applications.

The meter drives an electro-mechanical counter that requires a 12 V pulse each tenth of a kilowatthour, providing 10 pulses per kilowatt used. The meter output can be hard wired or connected to a transmitter in the pedestal for wireless transmission to a receiver displaying the output on a PC for direct billing of up to 1,000 individual customers.

**Features**

Our meter is designed to be user friendly in that all connections from external sources and the meter output are through one 14-pin locking connector. This feature eliminates many common problems, such as reverse line polarity and improper coil polarity. Simple LEDs, both red and green, indicate line and load condition and the pulsed LED indicates the rate of power consumption.

**Wireless System**

All of our meters are “wireless capable” to allow for wireless meter reading. This technology enables the marina or RV park to get meter readings from one central location rather than visiting every site to read the counters.

**Meter Socket Capabilities**

Meter sockets are available on the Powerhouse and Powerhouse–SS.

**Standard:**

- Four jaw
- Ring-type
- 100 A

**Contents**

**Description**

<b>Description</b>	<b>Page</b>
Power Pedestals . . . . .	<b>V1-T5-28</b>
Powerhouse Power Pedestal . . . . .	<b>V1-T5-30</b>
Powerhouse—Stainless Steel (SS) Power Pedestal . . . . .	<b>V1-T5-33</b>
Newport Camp Mate Power Pedestal . . . . .	<b>V1-T5-36</b>
Firehouse . . . . .	<b>V1-T5-39</b>
Digital Electronic Kilowatthour Meters	
Distribution Equipment—Ground Fault Monitor . . . . .	<b>V1-T5-42</b>
Distribution Equipment—Substations . . . . .	<b>V1-T5-43</b>
Distribution Equipment—Panels. . . . .	<b>V1-T5-46</b>
Distribution Equipment—Transformers . . . . .	<b>V1-T5-47</b>

**Available Options**

- 200 A (SS only)
- Lockable hasp
- Ringless (SS only)
- Five jaw
- Seven jaw (SS only)

**Product Selection**



**One Element Meter**

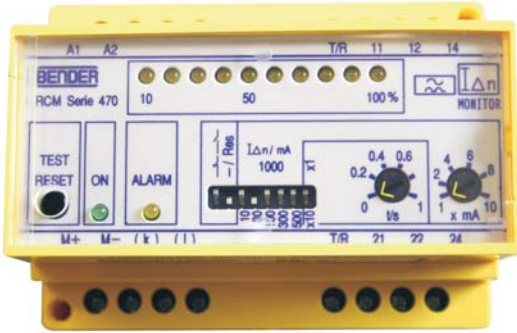


**Two Element Meter**



**Three Element Meter**

#### Ground Fault Monitor



5

#### Contents

##### Description

	<i>Page</i>
Power Pedestals . . . . .	<b>V1-T5-28</b>
Powerhouse Power Pedestal . . . . .	<b>V1-T5-30</b>
Powerhouse—Stainless Steel (SS) Power Pedestal . . . . .	<b>V1-T5-33</b>
Newport Camp Mate Power Pedestal . . . . .	<b>V1-T5-36</b>
Firehouse . . . . .	<b>V1-T5-39</b>
Digital Electronic Kilowatt-hour Meters. . . . .	<b>V1-T5-41</b>
Distribution Equipment—Ground Fault Monitor . . . . .	
Distribution Equipment—Substations . . . . .	<b>V1-T5-43</b>
Distribution Equipment—Panels . . . . .	<b>V1-T5-46</b>
Distribution Equipment—Transformers . . . . .	<b>V1-T5-47</b>

#### Distribution Equipment—Ground Fault Monitor

##### Product Description

New to our product offering are ground fault monitoring systems designed to detect fault currents in the AC shore power system that are too low to trip a circuit breaker. The Ground Fault Monitor helps reduce the risk of injury or property damage, which may result from stray fault currents. Our ground fault monitoring system provides information to the maintenance staff on the overall condition of the AC electrical system. The ground fault monitoring system operates 24 hours a day and can be monitored by non-technical personnel.

##### Features

- UL listed current transformers
- Adjustable trip level 10 mA to 10 A
- Current transformers up to 8 1/4-inch diameter
- Visual and/or audible alarm
- Housing of fiberglass or powder coated stainless steel available

##### Power Guard

The ground fault monitor detects ground fault currents by means of current transformers (CT), which are placed around main or branch circuits. If a ground fault occurs, the CT will detect the amount of fault current and send a signal to the ground fault monitoring device where the amount of fault current is displayed with the faulty circuit identified. The detected fault can either activate an indicator alarm or disconnect the faulted circuit.

Substations



Side-by-Side Substation

Contents

<i>Description</i>	<i>Page</i>
Power Pedestals . . . . .	<b>V1-T5-28</b>
Powerhouse Power Pedestal . . . . .	<b>V1-T5-30</b>
Powerhouse—Stainless Steel (SS) Power Pedestal . . . . .	<b>V1-T5-33</b>
Newport Camp Mate Power Pedestal . . . . .	<b>V1-T5-36</b>
Firehouse . . . . .	<b>V1-T5-39</b>
Digital Electronic Kilowatthour Meters . . . . .	<b>V1-T5-41</b>
Distribution Equipment—Ground Fault Monitor . . . . .	<b>V1-T5-42</b>
Distribution Equipment—Substations	
Features, Benefits and Functions . . . . .	<b>V1-T5-44</b>
Available Options . . . . .	<b>V1-T5-45</b>
Standards and Certifications . . . . .	<b>V1-T5-45</b>
Dimensions . . . . .	<b>V1-T5-45</b>
Distribution Equipment—Panels . . . . .	<b>V1-T5-46</b>
Distribution Equipment—Transformers . . . . .	<b>V1-T5-47</b>

Distribution Equipment—Substations

Product Description

The introduction of substations into the marina and recreational vehicle market allows Eaton to be your complete marina and RV park electrical products supplier. We are able to assist in the design and layout of your marina or RV park electrical system from the primary service provider to your power pedestal. Our substations are designed for any coastal or inland environment and are constructed of powder-coated stainless steel NEMA 3R housing cabinets. All substation cabinets come with our limited lifetime warranty. All of our substations use Eaton’s panels and circuit breakers, providing our customers the utmost in circuit protection and quality.

Application Description

The aluminum and Galvaneal cabinets are recommended for inland applications. The substations can be configured with 50 to 330 kVA single-phase or three-phase copper wound transformers and up to 20 single-phase or 12 three-phase branch breakers. An optional three-sided double-wall cabinet is available that provides air flow between the panels. All substations come standard with temperature-controlled cooling fans.

Product Selection Guide

Panel and Transformer Combinations

Panel	Transformer
<b>Single-Phase</b>	
200 A	50 kVA
300 A	75 kVA
400 A	100 kVA
600 A	150 kVA
700 A	167.5 kVA
800 A	200 kVA
1000 A	250 kVA
1200 A	330 kVA
<b>Three-Phase</b>	
100 A	45 kVA
200 A	75 kVA
300 A	112.5 kVA
400 A	150 kVA
600 A	225 kVA
800 A	300 kVA

#### Features, Benefits and Functions

- Limited lifetime warranty on the housing
- All stainless steel hardware
- Temperature controlled cooling fans in the transformer and circuit breaker compartments
- Lockable door

#### Ventilation

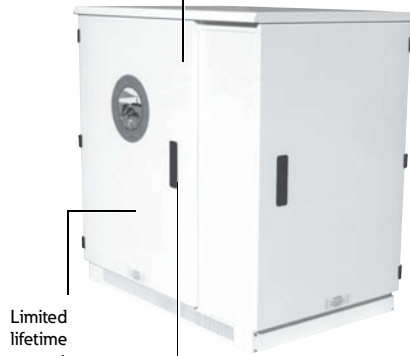
The substation ventilation is designed to optimize air circulation over and around the transformers and through the panel compartment so that the substation operates at lower temperatures.

Substations come equipped with temperature-controlled cooling fans for exhausting hot air from the cabinet and solar shield.

In addition, substations are available with a double-walled cabinet and solar shield, which allow for cooling of both the exterior surface of the cabinet and the internal components.

#### Substations

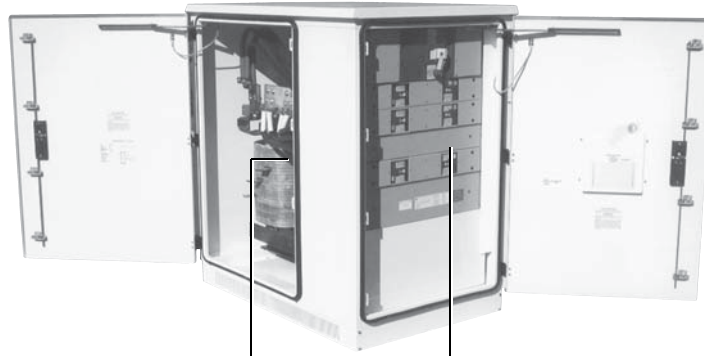
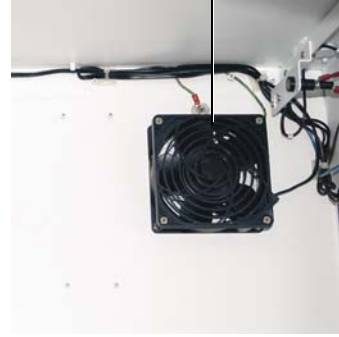
Stainless steel housing with polyester powder coating



Limited lifetime warranty on the housing

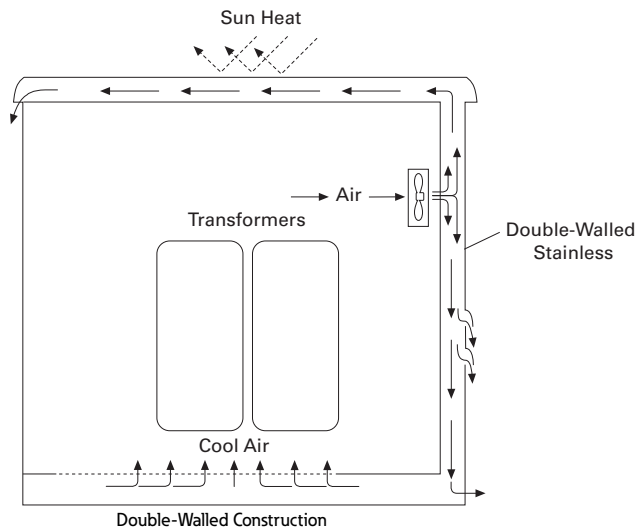
Stainless steel hardware with locking doors

Temperature-controlled fans for cooling



Custom made to your specifications: Single-phase or three-phase copper wound transformers 50 to 330 kVA

Up to 1200 A main circuit breaker with 20 single-phase or 12 three-phase branch circuit breakers



**Available Options**

- Powder-coated cabinets made of stainless steel or fiberglass
- Limited lifetime warranty on housing. Transformer and secondary distribution panel in a single enclosure have a one-year limited warranty
- Stainless steel housing and hardware with locking doors
- Single-phase and three-phase models
- Overload capacity meets ANSI L57.96–01.250
- Optional double-walled construction
- Temperature-controlled fans for cooling
- Custom-made copper wound single-phase or three-phase transformers from 50 to 330 kVA
- Up to 1200 A main circuit breaker with 15 single-phase branch circuit breakers or 10 three-phase branch circuit breakers
- Substations can be equipped with photocells to turn on and off lights
- A 20 A GFI can be installed in the cabinet, as well as a ground fault monitoring system

**Standards and Certifications**

- cULus listed

**Dimensions**

Approximate Dimensions in Inches (mm)

**Substations****Standard Substation**

Height	53.00 (1346.2)
Width	51.00 (1295.4)
Depth	33.00 (838.2)

**Side-by-Side Substation**

Height	53.00 (1346.2)
Width	66.00 (1676.4)
Depth	30.00 (762.0)

**Double Panel Substation**

Height	53.00 (1346.2)
Width	63.00 (1600.2)
Depth	33.00 (838.2)

#### Panels



#### Contents

<i>Description</i>	<i>Page</i>
Power Pedestals . . . . .	<b>V1-T5-28</b>
Powerhouse Power Pedestal . . . . .	<b>V1-T5-30</b>
Powerhouse—Stainless Steel (SS) Power Pedestal . . . . .	<b>V1-T5-33</b>
Newport Camp Mate Power Pedestal . . . . .	<b>V1-T5-36</b>
Firehouse . . . . .	<b>V1-T5-39</b>
Digital Electronic Kilowatthour Meters. . . . .	<b>V1-T5-41</b>
Distribution Equipment—Ground Fault Monitor. . . . .	<b>V1-T5-42</b>
Distribution Equipment—Substations . . . . .	<b>V1-T5-43</b>
Distribution Equipment—Panels . . . . .	
Distribution Equipment—Transformers . . . . .	<b>V1-T5-47</b>

### Distribution Equipment—Panels

#### Product Description

We now can offer our customers Eaton’s PRL-3A and PRL-4 panels as stand-alone units or in one of our substations. All of our busses are made of copper and are load rated, breakers are bolt-on type. Distribution panels can be single-phase or three-phase based on your system requirements. Distribution panels can also have a main breaker or a main lug. Branch circuit breakers are provided based on customer requirements.

#### Features

- All internal wiring is fine stranded 2000 V insulated copper
- Copper busbars
- All exterior hardware is stainless steel

#### Available Options

- NEMA 3R or 4X
- Powder-coated stainless steel
- Main breaker up to 1200 A
- Branch breaker 20 to 1200 A
- Main lug only
- We also offer 480 V models—single-phase and three-phase

#### Standards and Certifications

- UL listed
- cULus listed



#### Single-Phase

- Up to 1200 A main circuit breakers
- Up to 42 branch circuit breakers

#### Three-Phase

- Up to 1200 A main circuit breakers
- Up to 42 branch circuit breakers

Transformers



Contents

<i>Description</i>	<i>Page</i>
Power Pedestals . . . . .	V1-T5-28
Product Selection Guide . . . . .	V1-T5-29
Powerhouse Power Pedestal . . . . .	V1-T5-30
Powerhouse—Stainless Steel (SS) Power Pedestal . . . . .	V1-T5-33
Newport Camp Mate Power Pedestal . . . . .	V1-T5-36
Firehouse . . . . .	V1-T5-39
Digital Electronic Kilowatthour Meters . . . . .	V1-T5-41
Distribution Equipment—Ground Fault Monitor . . . . .	V1-T5-42
Distribution Equipment—Substations . . . . .	V1-T5-43
Distribution Equipment—Panels . . . . .	V1-T5-46
Distribution Equipment—Transformers	

Distribution Equipment—Transformers

Product Description

Because of the high humidity and corrosive conditions of coastal environments, our transformers are wound with Class H heavily insulated copper bar and are double dipped in tough insulating varnish that protects the copper, as well as reduces the hum that is typical in a transformer that is not double dipped. For marine applications, we provide a third overcoat of high temperature epoxy to protect against the severe saltwater environment. We can provide this transformer in single-phase, from 50 to 500 kVA, and three-phase, from 45 to 300 kVA.

Features

- Copper wound transformer coils double dipped in high temperature baking varnish
- Copper terminations
- Marine transformers with epoxy overcoat
- All copper-to-copper connections

Available Options

- Single-phase: 50–500 kVA
- Three-phase: 45–300 kVA
- Epoxy overcoat for non-marine applications

Standards and Certifications

- cULus listed



Primary Voltages

- 480 wye three-phase
- 480 V three-phase delta three-wire + ground
- 480 V single-phase two-wire + ground

Secondary Voltages

- 127/220 V three-phase wye four-wire
- 120/208 V three-phase wye four-wire
- 120/240 V single-phase three-wire

Marina Power Distribution Transformer kVA Availabilities

- Single-phase: 50, 75, 100, 150, 167.5, 200, 250, 330, 500 kVA
- Three-phase: 45, 75, 112.5, 150, 225, 300 kVA

Marina Power and Lighting Equipment



*High-Quality, Weatherproof Electrical Equipment*

5

### Contents

<i>Description</i>	<i>Page</i>
Power Pedestals	
Product Selection Guide . . . . .	<b>V1-T5-49</b>
Lighthouse . . . . .	<b>V1-T5-51</b>
Lighthouse-SS . . . . .	<b>V1-T5-55</b>
Admiral-SS . . . . .	<b>V1-T5-59</b>
Newport Harbor Mate . . . . .	<b>V1-T5-62</b>
Hatteras Light . . . . .	<b>V1-T5-66</b>
Firehouse . . . . .	<b>V1-T5-70</b>
Smart Start . . . . .	<b>V1-T5-76</b>
Mariner Lighting Bollard . . . . .	<b>V1-T5-77</b>
Digital Electronic Kilowatt-hour Meters . . . . .	<b>V1-T5-41</b>
Distribution Equipment—Ground Fault Monitor . . . . .	<b>V1-T5-42</b>
Distribution Equipment—Mega Yacht Powerpoint . . . . .	<b>V1-T5-80</b>
Distribution Equipment—Substations . . . . .	<b>V1-T5-83</b>
Distribution Equipment—Panels . . . . .	<b>V1-T5-86</b>
Distribution Equipment—Transformers . . . . .	<b>V1-T5-87</b>



## Power Pedestals

### Product Overview

Known as a leader in electrical control, power distribution, and industrial automation products and services, Eaton is a quality driven company that constantly looks for ways to provide enhanced product and service solutions for their customers. Eaton will be able to provide Marina developers a complete electrical solution. For more information on the other products available from Eaton, visit us online at [www.eaton.com](http://www.eaton.com) or [www.marinapower.com](http://www.marinapower.com).

### What Eaton has to Offer

- Eaton has more marina power outlets in service than all other suppliers combined
- We offer complementary comprehensive in-house electrical designs for your complete marina development using all high quality Eaton products
- We can provide your marina development with complete remote wireless digital electronic meter reading
- Not only can Eaton provide your marina with the highest quality power pedestals and marine distribution equipment, we can also supply your entire electrical needs for your surrounding development and beyond from safety switches to loadcenters and much more



## Product Selection Guide

## Power Pedestal Quick Guide

	Lighthouse	Lighthouse-SS	Hatteras Light	Newport Harbor Mate	Admiral-SS	Firehouse	Mariner	Lookout	Power Point
Main housing	Engineered resin	Stainless steel	Engineered resin	Engineered resin	Stainless steel	Stainless steel	Engineered resin	Stainless steel	Stainless steel
Top	Engineered resin	Engineered resin	Engineered resin	Engineered resin	Stainless steel	Engineered resin	Engineered resin	Stainless steel	Stainless steel
Optional stand	—	—	—	Stainless steel	—	—	PVC	—	—
External hardware	Stainless steel	Stainless steel	Stainless steel	Stainless steel	Stainless steel	Stainless steel	Stainless steel	Stainless steel	Stainless steel
Standard lightwattage(s)	13 W	13 W	13 W	7 W	13 W	13 W	5 W, 7 W & 13 W	—	13 W
LED lighting option	Yes	Yes	Yes	No	Yes	Yes	No	No	Yes
Photocell	Yes	Yes	Yes	Yes	Yes	Yes	No	No	Yes
Lockable doors	Yes	Yes	Yes	Yes	Yes	—	—	—	Yes
Hose hangers	Yes	Yes	No	No	Yes	No	No	No	No
Electric meters	Yes—up to 4	Yes—up to 4	Yes—up to 2	Yes—up to 2	Yes—up to 4	No	No	No	Yes—up to 6
Remote meter reading	Yes	Yes	Yes	Yes	Yes	No	No	No	Yes
Water	Two 3/4"	Two 3/4"	Two 1/2"	Two 3/4"	Two 3/4"	None	None	None	One 3/4" or more
Water meters	Yes	Yes	No	Yes	Yes	No	No	No	Yes
Telephone	Yes	Yes	Yes	Yes	Yes	No	No	No	Yes
Cable TV	Yes	Yes	Yes	Yes	Yes	No	No	No	Yes
Internet	Yes	Yes	Yes	Yes	Yes	No	No	No	Yes
Fire extinguisher	No	No	No	No	No	Yes—up to 20 lbs	No	No	No
Life ring	No	No	No	No	No	Yes—24"	No	No	No
Alarm and strobe light	No	No	No	No	No	Yes	No	No	No
20 A 110 V GFI	Yes	Yes	Yes	Yes	Yes	No	No	No	Yes
30 A 125 V twist—lock	Yes	Yes	Yes	Yes	Yes	No	No	No	Yes
50 A 125/250 V twist—lock	Yes	Yes	Yes	Yes	Yes	No	No	No	Yes
100 A 120/240 V pin and sleeve	Yes	Yes	No	No	Yes	No	No	No	Yes
100 A 120/208 V pin and sleeve	Yes	Yes	No	No	Yes	No	No	No	Yes
100 A 277/480 V pin and sleeve	Yes	Yes	No	No	Yes	No	No	No	Yes
100 A 480 V pin and sleeve	Yes	Yes	No	No	Yes	No	No	No	Yes
200 A 480 V pin and sleeve	No	No	No	No	Yes	No	No	No	Yes
Hardwire compatible	No	No	No	No	No	No	No	No	Yes
TVSS compatible	Yes	Yes	No	No	Yes	No	No	No	Yes
Card swipe compatible	Yes	Yes	No	Yes	Yes	No	No	No	Yes
Security camera compatible	No	No	No	No	No	No	No	Yes	No
Busbar rating	Up to 500 A	Up to 500 A	Up to 140 A	Up to 140 A	Up to 500 A	—	—	—	Up to 800 A
Maximum wire size—single feed	350 kcmil	350 kcmil	#2/0	#2/0	350 kcmil	—	—	—	(3) 500 kcmil
Maximum wire size—loop feed	#4/0	#4/0	#1	#1	350 kcmil	—	—	—	(3) 500 kcmil
Height	44"	40"	30"	36"	48"	43.5"	24" to 72"	72" to 96"	50"
Width	13.75"	9.875"	7.5"	10.5"	14"	9.875"	7"	9"	50"
Depth	13.75"	9.875"	7.5"	14.5"	14"	9.875"	7"	9"	36"
<b>Warranty</b>									
Housing	Limited lifetime	Limited lifetime	Limited lifetime	Limited lifetime	Limited lifetime	Limited lifetime	Limited lifetime	Limited lifetime	Limited lifetime
Receptacles and breakers	2 years	2 years	2 years	2 years	2 years	—	—	—	2 years
Lighting assembly	1 year	1 year	1 year	1 year	1 year	1 year	1 year	—	1 year

#### Receptacles

Side One		Side Two	
None	None	None	None
30 A	None	None	None
30 A	30 A	None	None
30 A	None	30 A	None
30 A	30 A	30 A	30 A
30 A	50 A	None	None
30 A	None	50 A	None
30 A	50 A	30 A	50 A
50 A	None	None	None
50 A	50 A	None	None
50 A	None	50 A	None
50 A	50 A	50 A	50 A
100 A 120/240 V	None	None	None
100 A 120/240 V	None	50–50 A	None
100 A 120/240 V	None	100 A 120/240 V	None
100 A 120/240 V	50–50 A	100 A 120/240 V	50–50 A
100 A 120/208 V	None	None	None
100 A 120/208 V	None	100 A 120/240 V	None
100 A 120/240 V	100 A 120/240 V	100 A 120/240 V	100 A 120/240 V
100 A 120/208 V	100 A 120/208 V	100 A 120/208 V	100 A 120/208 V
100 A 120/240 V	100 A 120/240 V	100 A 120/208 V	100 A 120/208 V

#### Receptacle Configuration Availability

Lighthouse	Lighthouse–SS	Admiral–SS	Hatteras Light	Newport Harbor Mate
<b>Receptacle Available with GFI Receptacles</b>				
Yes	Yes	Yes	Yes	Yes
Yes	Yes	Yes	Yes	Yes
Yes	Yes	Yes	No	Yes
Yes	Yes	Yes	Yes	No
Yes	Yes	Yes	No	No
Yes	Yes	Yes	No	Yes
Yes	Yes	Yes	Yes ①	No
Yes	Yes	Yes	No	No
Yes	Yes	Yes	Yes	Yes
Yes	Yes	Yes	No	Yes
Yes	Yes	Yes	No	No
Yes	Yes	Yes	No	No
Yes	Yes	Yes	No	No
Yes	Yes	Yes	No	No
No	No	Yes	No	No
Yes	Yes	Yes	No	No
Yes	Yes	Yes	No	No
No	No	Yes	No	No
No	No	Yes	No	No
No	No	Yes	No	No

**Note**

① Configuration available with no additional GFI receptacles.

Lighthouse



**Contents**

<i>Description</i>	<i>Page</i>
Power Pedestals . . . . .	<b>V1-T5-48</b>
Lighthouse	
Available Options . . . . .	<b>V1-T5-52</b>
Catalog Number Selection . . . . .	<b>V1-T5-53</b>
Accessories . . . . .	<b>V1-T5-54</b>
Dimensions . . . . .	<b>V1-T5-54</b>
Lighthouse-SS . . . . .	<b>V1-T5-55</b>
Admiral-SS . . . . .	<b>V1-T5-59</b>
Newport Harbor Mate . . . . .	<b>V1-T5-62</b>
Hatteras Light . . . . .	<b>V1-T5-66</b>
Firehouse . . . . .	<b>V1-T5-70</b>
Smart Start . . . . .	<b>V1-T5-76</b>
Mariner Lighting Bollard . . . . .	<b>V1-T5-77</b>
Digital Electronic Kilowatthour Meters . . . . .	<b>V1-T5-41</b>
Distribution Equipment—Ground Fault Monitor . . . . .	<b>V1-T5-42</b>
Distribution Equipment—Mega Yacht Powerpoint . . . . .	<b>V1-T5-80</b>
Distribution Equipment—Substations . . . . .	<b>V1-T5-83</b>
Distribution Equipment—Panels . . . . .	<b>V1-T5-86</b>
Distribution Equipment—Transformers . . . . .	<b>V1-T5-87</b>

**Lighthouse**

**Product Description**

One of our most popular units, the all-purpose Lighthouse® pedestal has a wide range of features. With units in service around the world, this stylish power pedestal is recognized for its practicality and exceptional durability.

Engineered to withstand the most severe weather conditions, Lighthouse power pedestals can be found in marinas from Alaska to the tropics.

**Note:** Custom paint color.

**Note:** Wireless remote reading of electronic kilowatt meters.

**Note:** Clear lens.

**Features, Benefits and Functions**

- Photocell controlled 13 watt fluorescent light (clear lens or amber lens for bug reduction)
- Lockable weatherproof doors that protect breakers and receptacles while in use (a requirement of NFPA 303 and NEC Article 555)
- Hose and cable brackets
- Heavy resin housing with a two-part polyurethane coating for a UV-resistant, long-lasting finish
- Copper busbar with ratings from 250 to 500 A
- New “hingeless” base providing easy access for both installation and maintenance
- Backlit faceplate for easy receptacle plug-in at night

#### Lighthouse

360° controlled 13 watt fluorescent light with amber lens for bug reduction

Digital electronic metering for each side

Lockable weatherproof doors that protect breakers and receptacles

Receptacle configuration available  
30 A, 50 A, 30 A / 30 A, 30 A / 50 A,  
50 A / 50 A, 100 A, Empty

**Note:** Custom configurations also available

Hose and cable brackets

1/4-inch Resin housing with a two-part polyurethane coating for a UV resistant, long-lasting finish

20 A / 125 V GFI receptacle

Phone and cable TV connections

High-speed Internet connections (RJ45) for each side

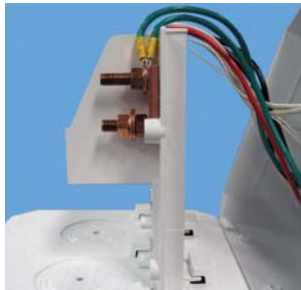


#### Available Options

- Digital electronic metering (one, two or three element meters available)
- Built-in meter socket
- 20 A / 125 V GFI receptacle (max. of two GFI receptacles per pedestal)

**Note:** 20 A GFI receptacles are not to be used for shore power.

- High-speed Internet connections
- Wireless remote metering for electric and water
- Transient voltage surge suppressor (TVSS) to protect from voltage surges, spikes or lightning on the AC power line (extends warranty on internal parts to three years)
- Stainless steel door hinge on receptacle main doors
- Single or dual steel 1/4-turn ball valves with 3/4-inches
- Hose bibs and stainless steel handles
- Single or dual phone and/or cable TV connections
- Base cap
- Base extension
- LED lighting



**Copper Busbar with Ratings from 250 to 500 A**



**Cable and Internet Connections**



**New Hingeless Base**



**Optional Meter Socket**

**Catalog Number Selection**

**L D U 2 3 x x 2 3 x x 2 0 R S**

Type	
<b>L</b>	= Lighthouse
<b>S</b>	= LHSS

Lighting and Lens Color	
<b>D</b>	= LED Amber
<b>I</b>	= LED Clear
<b>N</b>	= LED Special
<b>B</b>	= LED Blue
<b>F</b>	= No lighting Amber
<b>L</b>	= No lighting Clear
<b>Y</b>	= No lighting Special
<b>P</b>	= No lighting Blue

Metering Type	
<b>U</b>	= Unmetered
<b>1</b>	= Digital electronic meters (side 1)
<b>2</b>	= Digital electronic meters (side 2)
<b>E</b>	= Digital electronic metering (entire pedestal)
<b>B</b>	= Digital electronic metering (both sides)
<b>R</b>	= Receptacles metered individually (one/rec.)

Sides and Receptacles							
R1S1	R2S1	R3S1	R4S1	R1S2	R2S2	R3S2	R4S2
0	0	x	x	0	0	x	x
1	1			1	1		
2	2			2	2		
3	3			3	3		
4	4			4	4		
G	G			G	G		
H	H			H	H		

**x** = None  
**0** = None  
**1** = 20 A GFI duplex  
**2** = 30 A, 125 V  
**3** = 50 A, 125 V  
**4** = 50 A, 125/250 V  
**G** = 30 A, 125 V GFI breaker  
**H** = 50 A, 125/250 V GFI breaker

Water Option ①	
<b>0</b>	= 0
<b>1</b>	= 1
<b>2</b>	= 2
<b>3</b>	= Single water meter
<b>4</b>	= Dual water meter
<b>5</b>	= Single meter for two valves

Extra Unmetered GFI Receptacles ②	
<b>0</b>	= None
<b>1</b>	= 1
<b>2</b>	= 2

Phone Cable TV and Internet Options			
	Phone Jack	Cable TV Jack	Internet Option
<b>A</b>	= 1	0	0
<b>B</b>	= 1	0	1
<b>C</b>	= 1	0	2
<b>D</b>	= 1	1	0
<b>E</b>	= 1	1	1
<b>F</b>	= 1	1	2
<b>G</b>	= 1	2	0
<b>H</b>	= 1	2	1
<b>I</b>	= 1	2	2
<b>J</b>	= 2	0	0
<b>K</b>	= 2	0	1
<b>L</b>	= 2	0	2
<b>M</b>	= 2	1	0
<b>N</b>	= 2	1	1
<b>O</b>	= 2	1	2
<b>P</b>	= 2	2	0
<b>Q</b>	= 2	2	1
<b>R</b>	= 2	2	2
<b>S</b>	= 0	2	2
<b>T</b>	= 0	0	1
<b>U</b>	= 0	0	2
<b>V</b>	= 0	1	0
<b>W</b>	= 0	1	1
<b>X</b>	= 0	1	2
<b>Y</b>	= 0	2	0
<b>Z</b>	= 0	2	1
<b>0</b>	= 0	0	0

Bus	
<b>S</b>	= Single-phase 3/8-inch copper bus bar
<b>F</b>	= Three-phase 3/8-inch copper bus bar
<b>M</b>	= Single-phase 300 kcmil mechanical lug bus
<b>Z</b>	= Three-phase 300 kcmil mechanical lug bus
<b>L</b>	= Single-phase 350 kcmil mechanical lug bus
<b>P</b>	= Three-phase 350 kcmil mechanical lug bus
<b>Q</b>	= Single-phase 3/8-16-inch copper bus bar
<b>R</b>	= Three-phase 3/8-16-inch copper bus bar
<b>T</b>	= Single-phase 300 kcmil mechanical lug Canadian bus
<b>U</b>	= Single-phase 350 kcmil mechanical lug Canadian bus
<b>V</b>	= Single-phase 350 kcmil mechanical lug Canadian bus
<b>W</b>	= Three-phase 350 kcmil mechanical lug Canadian bus
<b>N</b>	= Single-phase 1/4-inch copper bus bar

Receptacle: R1S1 = Receptacle 1, Side 1  
 R2S1 = Receptacle 2, Side 1  
 R1S2 = Receptacle 1, Side 2  
 R2S2 = Receptacle 2, Side 2

**Notes**

- ① Number represents the quantity of 1/4-turn ball valves with 3/4-inch hose bibs.
- ② Quantity of 20 A GFI duplex receptacles.

#### Accessories

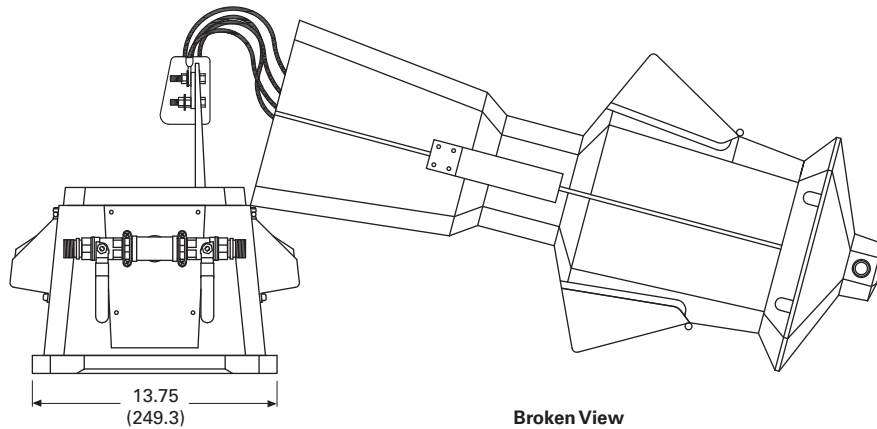
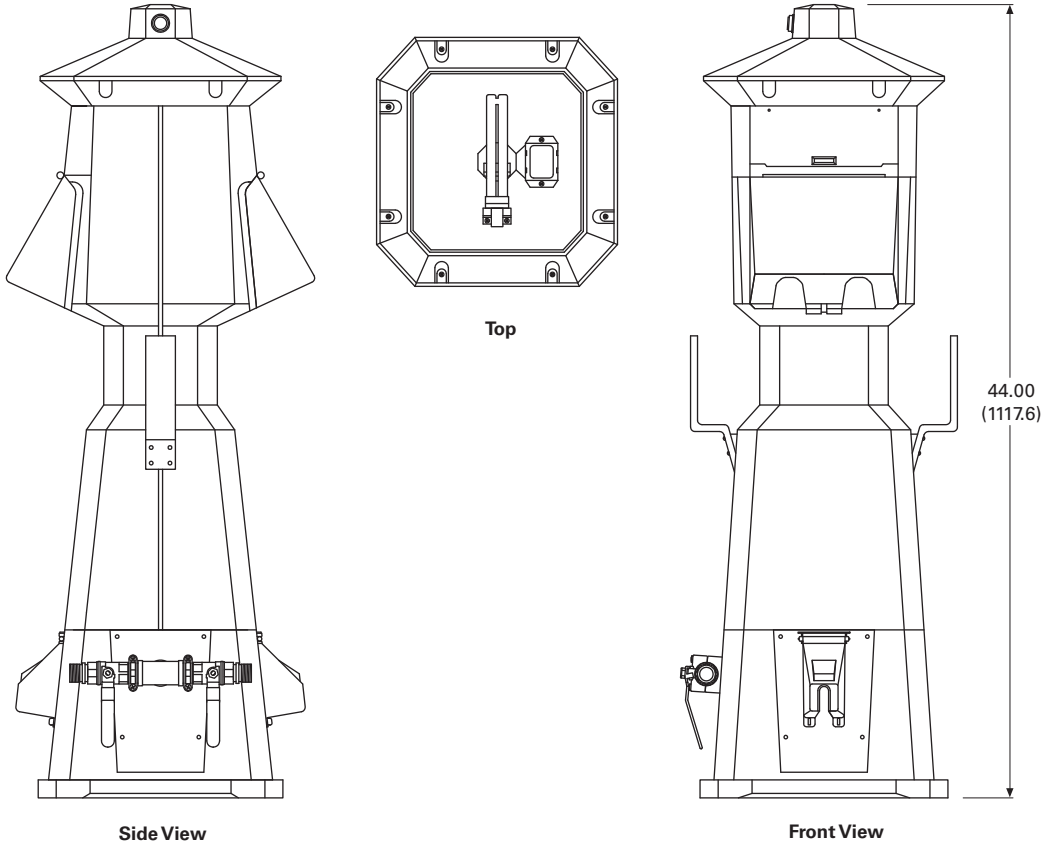
See **Page V1-T5-72**.

#### Dimensions

Approximate Dimensions in Inches (mm)

#### Lighthouse

5



Lighthouse-SS



**Contents**

<i>Description</i>	<i>Page</i>
Power Pedestals . . . . .	<b>V1-T5-48</b>
Lighthouse . . . . .	<b>V1-T5-51</b>
Lighthouse-SS	
Available Options . . . . .	<b>V1-T5-56</b>
Catalog Number Selection . . . . .	<b>V1-T5-57</b>
Accessories . . . . .	<b>V1-T5-58</b>
Dimensions . . . . .	<b>V1-T5-58</b>
Admiral-SS . . . . .	<b>V1-T5-59</b>
Newport Harbor Mate . . . . .	<b>V1-T5-62</b>
Hatteras Light . . . . .	<b>V1-T5-66</b>
Firehouse . . . . .	<b>V1-T5-70</b>
Smart Start . . . . .	<b>V1-T5-76</b>
Mariner Lighting Bollard . . . . .	<b>V1-T5-77</b>
Digital Electronic Kilowatthour Meters . . . . .	<b>V1-T5-41</b>
Distribution Equipment—Ground Fault Monitor . . . . .	<b>V1-T5-42</b>
Distribution Equipment—Mega Yacht Powerpoint . . . . .	<b>V1-T5-80</b>
Distribution Equipment—Substations . . . . .	<b>V1-T5-83</b>
Distribution Equipment—Panels . . . . .	<b>V1-T5-86</b>
Distribution Equipment—Transformers . . . . .	<b>V1-T5-87</b>

**Lighthouse-SS**

**Product Description**

The Lighthouse-SS offers the same standard features and available options as the standard Lighthouse. But, like all of the stainless steel products manufactured here, the Lighthouse-SS is made with high-quality 316L stainless steel for superior quality and performance.

**Note:** 20/125 A GFI receptacle.

**Note:** Wireless remote reading of electronic kilowatt meters.

**Note:** Clear lens.

**Note:** Meter socket for each side powered (to accept glass style meter).

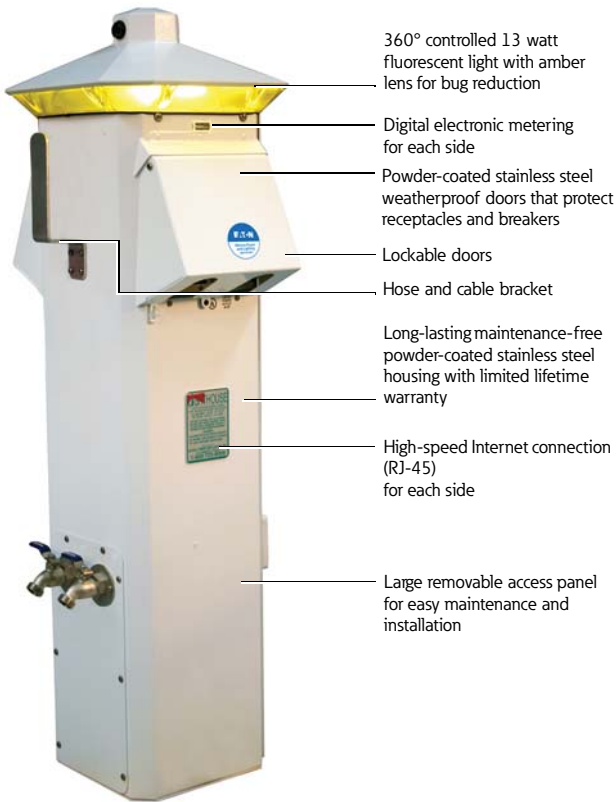
**Note:** Receptacle configurations available:

- 30 A
- 30 A / 30 A
- 30 A / 50 A
- 50 A / 50 A
- 100 A (single-phase) 120/240 V
- 100 A (three-phase) 120/208 V
- 200 A (three-phase) 480 V

**Features, Benefits and Functions**

- Photocell controlled 13 watt fluorescent light (clear lens or amber lens for bug reduction)
- Available with lockable weatherproof doors
- Hose and cable brackets
- Long-lasting maintenance-free 316L stainless steel housing with limited lifetime warranty
- Copper busbar with ratings from 250 to 500 A
- Large removable access panel for easy maintenance and installation
- Backlit faceplate for easy receptacle plug-in at night

#### Lighthouse-SS



#### Available Options

- Digital electronic metering (one, two or three element meters available)
  - 20 A / 125 V GFI receptacle (max. of two GFI receptacles per pedestal)
- Note:** 20 A GFI receptacles are not to be used for shore power.
- High-speed Internet connection
  - Wireless remote metering available for water and electricity
  - Transient voltage surge suppressor (TVSS) to protect from voltage surges, spikes or lightning on the AC power line (extends warranty on internal parts to three years)
  - Single or dual phone and/or cable TV connections
  - Single or dual 3/4-inch hose bibs with stainless steel
  - Handles LED lighting

5



**Phone and Cable TV Connections**



**New Door**



**Copper Busbar with Ratings from 250 to 500 A**



**Backlit Faceplate to Aid in Hooking Up at Night**



**Catalog Number Selection**

**S D U 2 3 2 3 2 3 2 3 2 0 R S**

Type	
L	= Lighthouse
S	= LHSS

Lighting and Lens Color	
D	= LED Amber
I	= LED Clear
N	= LED Special
B	= LED Blue
F	= No lighting Amber
L	= No lighting Clear
Y	= No lighting Special
P	= No lighting Blue

Metering Type	
U	= Unmetered
1	= Digital electronic meters (side 1)
2	= Digital electronic meters (side 2)
E	= Digital electronic metering (entire pedestal)
B	= Digital electronic metering (both sides)
R	= Receptacles metered individually (one/rec.)
M	= One 100 A meter socket (ring-type)
N	= One 100 A meter socket (ringless)
O	= Two 100 A meter socket (ring-type)
P	= Two 100 A meter socket (ringless)

Sides and Receptacles							
R1S1	R2S1	R3S1	R4S1	R1S2	R2S2	R3S2	R4S2
0	0	0	0	0	0	0	0
1	1	1	1	1	1	1	1
2	2	2	2	2	2	2	2
3	3	3	3	3	3	3	3
4	4	4	4	4	4	4	4
5	5	5	5	5	5	5	5
6	6	6	6	6	6	6	6
7	7	7	7	7	7	7	7
8	8	8	8	8	8	8	8
G	G	G	G	G	G	G	G
H	H	H	H	H	H	H	H

**0** = None  
**1** = 20 A GFI duplex  
**2** = 30 A, 125 V  
**3** = 50 A, 125 V  
**4** = 50 A, 125/250 V  
**5** = 100 A, 120/208 V  
**6** = 100 A, 125/250 V  
**7** = 100 A, 277/480 V  
**8** = 100 A, 480 V  
**G** = 30 A, 125 V GFI breaker  
**H** = 50 A, 125/250 V GFI breaker

Water Option ①	
0	= 0
1	= 1
2	= 2
3	= Single water meter
4	= Dual water meter
5	= Single meter for two valves

Extra Unmetered GFI Receptacles ②	
0	= None
1	= 1
2	= 2

Phone Cable TV and Internet Options			
	Phone Jack	Cable TV Jack	Internet Option
A	= 1	0	0
B	= 1	0	1
C	= 1	0	2
D	= 1	1	0
E	= 1	1	1
F	= 1	1	2
G	= 1	2	0
H	= 1	2	1
I	= 1	2	2
J	= 2	0	0
K	= 2	0	1
L	= 2	0	2
M	= 2	1	0
N	= 2	1	1
O	= 2	1	2
P	= 2	2	0
Q	= 2	2	1
R	= 2	2	2
S	= 0	2	2
T	= 0	0	1
U	= 0	0	2
V	= 0	1	0
W	= 0	1	1
X	= 0	1	2
Y	= 0	2	0
Z	= 0	2	1
0	= 0	0	0

Bus	
S	= Single-phase 3/8-inch copper bus bar
F	= Three-phase 3/8-inch copper bus bar
M	= Single-phase 300 kcmil mechanical lug bus
Z	= Three-phase 300 kcmil mechanical lug bus
L	= Single-phase 350 kcmil mechanical lug bus
P	= Three-phase 350 kcmil mechanical lug bus
N	= Single-phase 1/4-inch copper bus bar
Q	= Single-phase 3/8-16-inch copper bus bar
R	= Three-phase 3/8-16-inch copper bus bar
T	= Single-phase 300 kcmil mechanical lug Canadian bus
U	= Single-phase 350 kcmil mechanical lug Canadian bus
V	= Single-phase 350 kcmil mechanical lug Canadian bus
W	= Three-phase 350 kcmil mechanical lug Canadian bus
X	= Single-phase 500 A 3/8-inch copper bus bar
Y	= Three-phase 500 A 3/8-inch copper bus bar

Receptacle: R1S1 = Receptacle 1, Side 1  
 R2S1 = Receptacle 2, Side 1  
 R1S2 = Receptacle 1, Side 2  
 R2S2 = Receptacle 2, Side 2

**Notes**

- ① Number represents the quantity of 1/4-turn ball valves with 3/4-inch hose bibs.
- ② Quantity of 20 A GFI duplex receptacles.

# 5.5

## Power Pedestals

### Marina Power and Lighting Equipment

#### Accessories

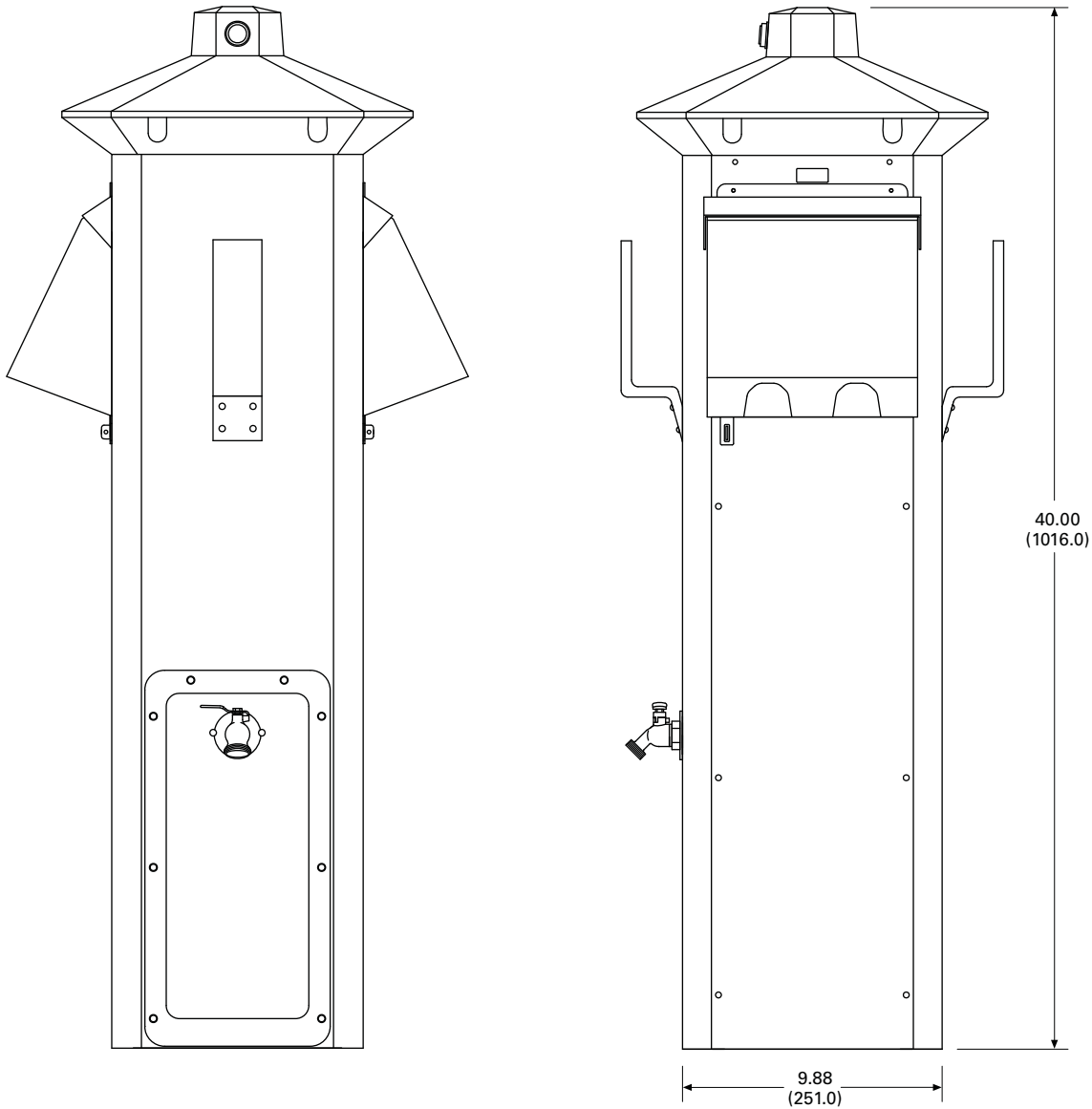
See **Page V1-T5-72**.

#### Dimensions

Approximate Dimensions in Inches (mm)

#### Lighthouse-SS

5



Admiral-SS



**Contents**

<i>Description</i>	<i>Page</i>
Power Pedestals . . . . .	<b>V1-T5-48</b>
Lighthouse . . . . .	<b>V1-T5-51</b>
Lighthouse-SS . . . . .	<b>V1-T5-55</b>
Admiral-SS	
Catalog Number Selection . . . . .	<b>V1-T5-60</b>
Accessories . . . . .	<b>V1-T5-61</b>
Dimensions . . . . .	<b>V1-T5-61</b>
Newport Harbor Mate . . . . .	<b>V1-T5-62</b>
Hatteras Light . . . . .	<b>V1-T5-66</b>
Firehouse . . . . .	<b>V1-T5-70</b>
Smart Start . . . . .	<b>V1-T5-76</b>
Mariner Lighting Bollard . . . . .	<b>V1-T5-77</b>
Digital Electronic Kilowatthour Meters . . . . .	<b>V1-T5-41</b>
Distribution Equipment—Ground Fault Monitor . . . . .	<b>V1-T5-42</b>
Distribution Equipment—Mega Yacht Powerpoint . . . . .	<b>V1-T5-80</b>
Distribution Equipment—Substations . . . . .	<b>V1-T5-83</b>
Distribution Equipment—Panels . . . . .	<b>V1-T5-86</b>
Distribution Equipment—Transformers . . . . .	<b>V1-T5-87</b>

**Admiral-SS**

**Product Description**

Truly the flagship of our unitized pedestal line, the Admiral-SS possesses amperage capabilities up to 500 A and voltages of 480/277 three-phase, 120/240 single-phase and combinations of these receptacles all in one unit to serve nearly any size Mega Yacht.

**Features**

- Heavy 316L stainless steel housing that is powder coated with a polyester resin
- Photocell controlled 13 watt fluorescent light with clear lens that provides 360 degrees of lighting

**Available Options**

- Dual phone and/or cable TV connections
  - Four 100 A receptacles of any two voltage combinations such as 277/480 three-phase, 120/208 three-phase or 120/240 single-phase
  - 200 A / 480 V receptacles
  - when the 100 A 120/240 V receptacles are used, two 50 A 120/240 V receptacles can also be provided for a total of 500 A
  - 20 A / 125 V GFI receptacle (max. of two GFI receptacles per pedestal)
- Note:** 20 A GFI receptacles are not to be used for shore power.
- Single or dual Cat5 high-speed Internet connections
  - Single or dual water 1/4-turn ball valves with 3/4-inch hose bibs and stainless steel handles
  - Digital metering available
  - Wireless remote metering available for water and electricity
  - LED lighting

#### Catalog Number Selection

5

**A D U 2 3 2 3 2 3 2 3 1 2 R S**

Type
A = Admiral-SS

Lighting and Lens Color	
D = LED	Amber
I = LED	Clear
N = LED	Special
B = LED	Blue
F = No lighting	Amber
L = No lighting	Clear
Y = No lighting	Special
P = No lighting	Blue

Metering Type	
U = Unmetered	
1 = Digital electronic meters (side 1)	
2 = Digital electronic meters (side 2)	
E = Digital electronic metering (entire pedestal)	
B = Digital electronic metering (both sides)	
R = Receptacles metered individually (one/rec.)	
M = One 100 A meter socket (ring-type)	
N = One 100 A meter socket (ringless)	
O = Two 100 A meter socket (ring-type)	
P = Two 100 A meter socket (ringless)	

Sides and Receptacles							
R1S1	R2S1	R3S1	R4S1	R1S2	R2S2	R3S2	R4S2
0	0	0	0	0	0	0	0
1	1	1	1	1	1	1	1
2	2	2	2	2	2	2	2
3	3	3	3	3	3	3	3
4	4	4	4	4	4	4	4
5	5	5	5	5	5	5	5
6	6	6	6	6	6	6	6
7	7	7	7	7	7	7	7
8	8	8	8	8	8	8	8
9	9	9	9	9	9	9	9
G	G	G	G	G	G	G	G
H	H	H	H	H	H	H	H

0 = None  
 1 = 20 A GFI duplex  
 2 = 30 A, 125 V  
 3 = 50 A, 125 V  
 4 = 50 A, 125/250 V  
 5 = 100 A, 208 V  
 6 = 100 A, 250 V  
 7 = 100 A, 277/480 V  
 8 = 100 A, 480 V  
 9 = 200 A, 480 V  
 G = 30 A, 125 V GFI breaker  
 H = 50 A, 125/250 V GFI breaker

Water Option ①	
0	= 0
1	= 1
2	= 2
3	= Single water meter
4	= Dual water meter
5	= Single meter, 2 V

Extra Unmetered GFI Receptacles	
0	= None
1	= 1
2	= 2

Phone Cable TV and Internet Options			
	Phone Jack	Cable TV Jack	Internet Option
A	= 1	0	0
B	= 1	0	1
C	= 1	0	2
D	= 1	1	0
E	= 1	1	1
F	= 1	1	2
G	= 1	2	0
H	= 1	2	1
I	= 1	2	2
J	= 2	0	0
K	= 2	0	1
L	= 2	0	2
M	= 2	1	0
N	= 2	1	1
O	= 2	1	2
P	= 2	2	0
Q	= 2	2	1
R	= 2	2	2
S	= 0	2	2
T	= 0	0	1
U	= 0	0	2
V	= 0	1	0
W	= 0	1	1
X	= 0	1	2
Y	= 0	2	0
Z	= 0	2	1
0	= 0	0	0

Bus	
S	= Single-phase 3/8-inch copper bus bar
F	= Three-phase 3/8-inch copper bus bar
M	= Single-phase 300 kcmil mechanical lug bus
Z	= Three-phase 300 kcmil mechanical lug bus
L	= Single-phase 350 kcmil mechanical lug bus
P	= Three-phase 350 kcmil mechanical lug bus
N	= Single-phase 1/4-inch copper bus bar
Q	= Single-phase 3/8-16-inch copper bus bar
R	= Three-phase 3/8-16-inch copper bus bar
T	= Single-phase 300 kcmil mechanical lug Canadian bus
U	= Single-phase 350 kcmil mechanical lug Canadian bus
V	= Single-phase 350 kcmil mechanical lug Canadian bus
W	= Three-phase 350 kcmil mechanical lug Canadian bus
X	= Single-phase 500 A 3/8-inch copper bus bar
Y	= Three-phase 500 A 3/8-inch copper bus bar

Receptacles: R1S1 = Receptacle 1, Side 1  
 R2S1 = Receptacle 2, Side 1  
 R3S1 = Receptacle 3, Side 1  
 R4S1 = Receptacle 3, Side 1  
 R1S2 = Receptacle 1, Side 2  
 R2S2 = Receptacle 2, Side 2  
 R3S2 = Receptacle 3, Side 2  
 R4S2 = Receptacle 3, Side 2

**Notes**

① Number represents the quantity of 1/4-turn ball valves with 3/4-inch hose bibs.

Internet option also available. Contact factory for details.

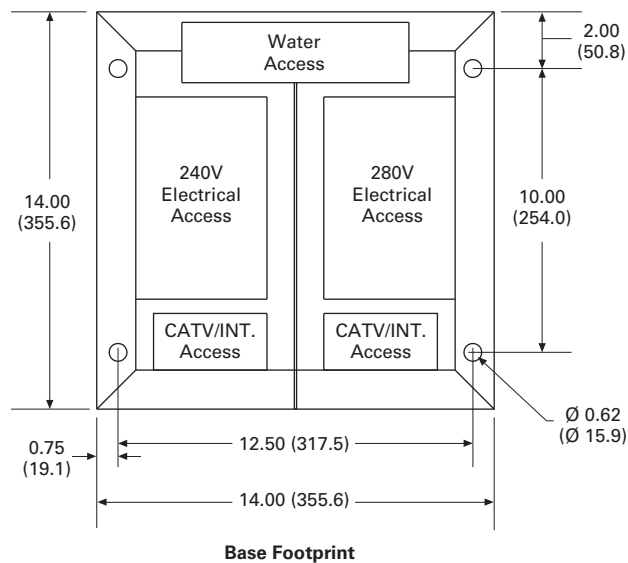
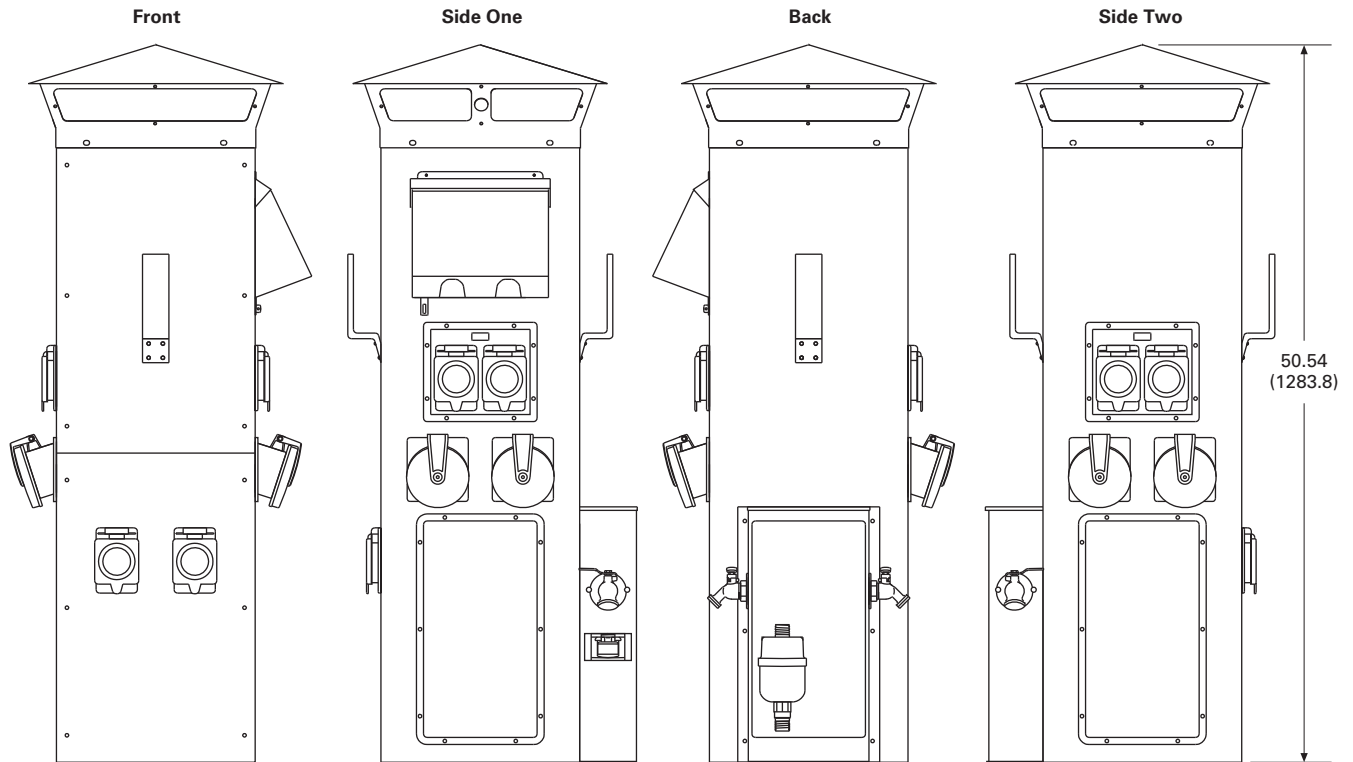
**Accessories**

See Page V1-T5-72.

**Dimensions**

Approximate Dimensions in Inches (mm)

**Admiral-SS**



Newport Harbor Mate



5

### Contents

<i>Description</i>	<i>Page</i>
Power Pedestals . . . . .	<b>V1-T5-48</b>
Lighthouse . . . . .	<b>V1-T5-51</b>
Lighthouse-SS . . . . .	<b>V1-T5-55</b>
Admiral-SS . . . . .	<b>V1-T5-59</b>
Newport Harbor Mate	
Available Options . . . . .	<b>V1-T5-63</b>
Catalog Number Selection . . . . .	<b>V1-T5-64</b>
Accessories . . . . .	<b>V1-T5-65</b>
Dimensions . . . . .	<b>V1-T5-65</b>
Hatteras Light . . . . .	<b>V1-T5-66</b>
Firehouse . . . . .	<b>V1-T5-70</b>
Smart Start . . . . .	<b>V1-T5-76</b>
Mariner Lighting Bollard . . . . .	<b>V1-T5-77</b>
Digital Electronic Kilowatthour Meters . . . . .	<b>V1-T5-41</b>
Distribution Equipment—Ground Fault Monitor . . . . .	<b>V1-T5-42</b>
Distribution Equipment—Mega Yacht Powerpoint . . . . .	<b>V1-T5-80</b>
Distribution Equipment—Substations . . . . .	<b>V1-T5-83</b>
Distribution Equipment—Panels . . . . .	<b>V1-T5-86</b>
Distribution Equipment—Transformers . . . . .	<b>V1-T5-87</b>

### Newport Harbor Mate

#### Product Description

Five years of development and 30 prototype models have yielded this unit the most innovative mini-power center available. Host to a variety of electrical services, contained in a compact yet strong housing, the Newport Harbor Mate is packed with features.

#### Features, Benefits and Functions

- Tough and durable resin housing with UV inhibitor for lasting finish
- Photocell controlled 7 and 9 watt fluorescent light (clear lens or amber lens for bug reduction)
- Designed to mount on a dock box, piling or stainless steel stand
- Copper busbar with a maximum rating of 140 A

**Newport Harbor Mate (Shown with Optional Stand)**

Tough and durable resin housing with UV inhibitor for lasting finish

Available with single, dual or combo of 30 or 50 A receptacles  
20 A / 125 V GFI receptacle  
Phone, cable TV, high-speed Internet connections

Digital electronic meter

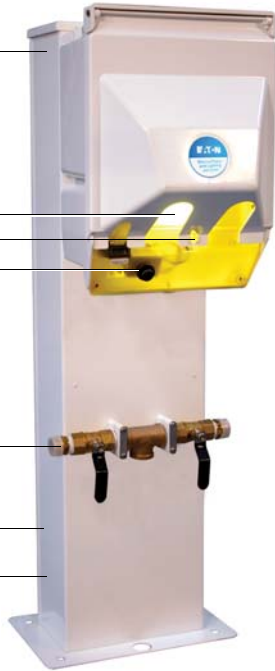
Lockable weatherproof door that protects receptacles and breakers

Photocell controlled 7 watt fluorescent light with amber lens for bug reduction

Single or dual 1/2-turn brass ball valve with 3/4-inch hose bibs

Stainless steel stand

Designed to mount on a dock box, piling, wall or optional stand (shown in photo)



**Available Options**

- Available with single, dual or combination of 30 A or 50 A receptacles
- 20 A / 125 V GFI receptacle (max. of two GFI receptacles per pedestal)

**Note:** 20 A GFI receptacles are not to be used for shore power.

- Single or dual phone, cable TV, high-speed Internet connections
- Electronic metering (one or two element meters available)
- 316L stainless steel stand
- LED lighting



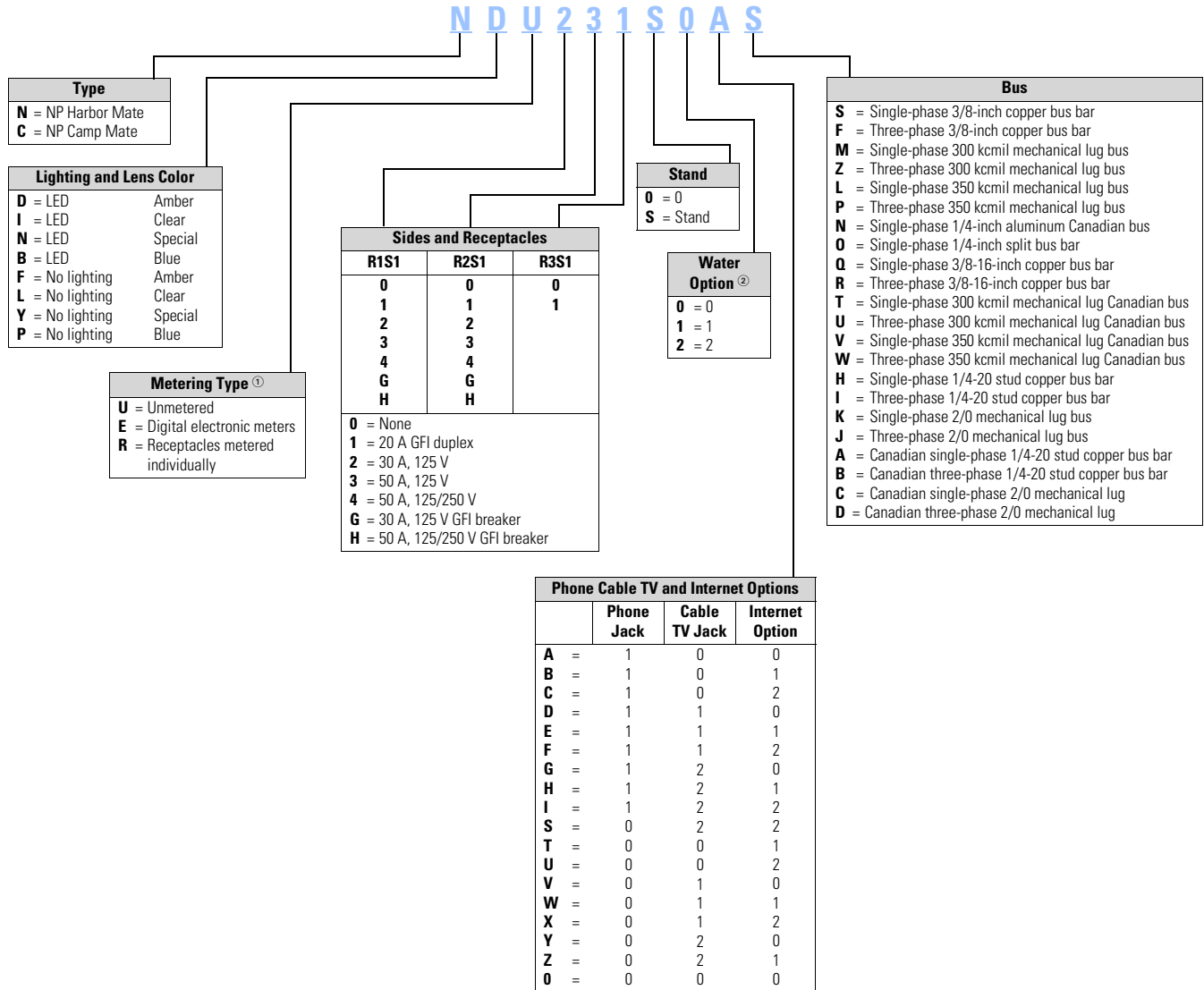
**Mounting Option**



**Backlit Faceplate**

#### Catalog Number Selection

5



Receptacles: R1 = Receptacle 1  
R2 = Receptacle 2

**Notes**

- ① 20 A GFIs not metered.
- ② Number represents the quantity of 1/4-turn ball valves with 3/4-inch hose bibs (with stand only).



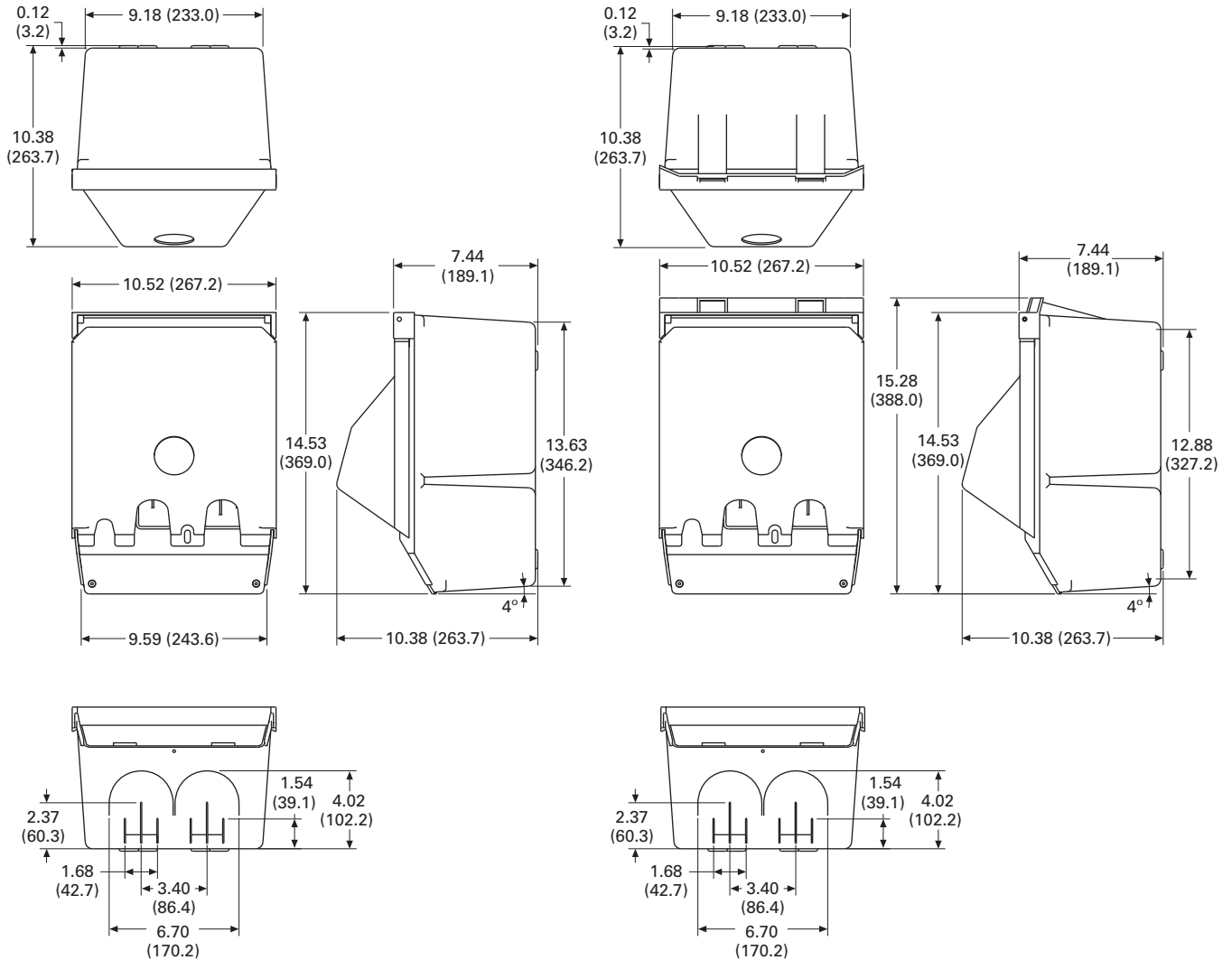
**Accessories**

See Page V1-T5-72.

**Dimensions**

Approximate Dimensions in Inches (mm)

**Newport Harbor Mate**



Newport Redesign

Newport Redesign With Meters

Hatteras Light



5

## Contents

<i>Description</i>	<i>Page</i>
Power Pedestals . . . . .	<b>V1-T5-48</b>
Lighthouse . . . . .	<b>V1-T5-51</b>
Lighthouse-SS . . . . .	<b>V1-T5-55</b>
Admiral-SS . . . . .	<b>V1-T5-59</b>
Newport Harbor Mate . . . . .	<b>V1-T5-62</b>
Hatteras Light	
Available Options . . . . .	<b>V1-T5-67</b>
Catalog Number Selection . . . . .	<b>V1-T5-68</b>
Accessories . . . . .	<b>V1-T5-69</b>
Dimensions . . . . .	<b>V1-T5-69</b>
Firehouse . . . . .	<b>V1-T5-70</b>
Smart Start . . . . .	<b>V1-T5-76</b>
Mariner Lighting Bollard . . . . .	<b>V1-T5-77</b>
Digital Electronic Kilowatthour Meters . . . . .	<b>V1-T5-41</b>
Distribution Equipment—Ground Fault Monitor . . . . .	<b>V1-T5-42</b>
Distribution Equipment—Mega Yacht Powerpoint . . . . .	<b>V1-T5-80</b>
Distribution Equipment—Substations . . . . .	<b>V1-T5-83</b>
Distribution Equipment—Panels . . . . .	<b>V1-T5-86</b>
Distribution Equipment—Transformers . . . . .	<b>V1-T5-87</b>

## Hatteras Light

### Product Description

The Hatteras® Light is an elegant and low cost alternative to the Lighthouse. It uses the same 360 degree light assembly as the Lighthouse, yet is only 30 inches tall. Thousands of these attractive pedestals are found not only in marinas, but also around pools, deck areas, boardwalks and landscape areas. The housing will never rust or corrode and comes with a limited lifetime warranty. This unit is popular for smaller slips at marinas with the Lighthouse and for private docks.

**Note:** Wireless remote reading of electronic kilowatt meters.

**Note:** Clear lens.

**Note:** Custom paint color.

### Features, Benefits and Functions

- Photocell controlled 13 watt fluorescent light (clear lens or amber lens for bug reduction)
- Circuit breakers
- Heavy resin housing with a two-part polyurethane coating for a UV resistant, long-lasting finish
- Copper busbar with a maximum rating of 140 A

**Hatteras Light**



- 360° controlled 13 watt fluorescent light with amber lens for bug reduction
- Receptacle configurations available:  
Side 1: 30 A, 50 A  
Side 2: 30 A, N/A  
**Note:** Custom configurations also available
- Digital electronic metering
- Circuit breakers
- Phone, cable TV, high-speed Internet connections
- 1/4-inch resin housing with a two-part polyurethane coating for a UV resistant, long-lasting finish
- 1/2-turn brass ball valve and 3/4-inch hose bib

**Available Options**

- 20 A / 125 V GFI receptacle (max. of two GFI receptacles per pedestal)
- Note:** 20 A GFI receptacles are not to be used for shore power.
- Digital electronic metering (one or two element meter available)
- Single or dual phone, cable TV, high-speed Internet connections
- Single or dual 1/2-inch or 3/4-inch silcock with stainless steel handles
- LED lighting



**Copper Busbar with Ratings up to 140 A**



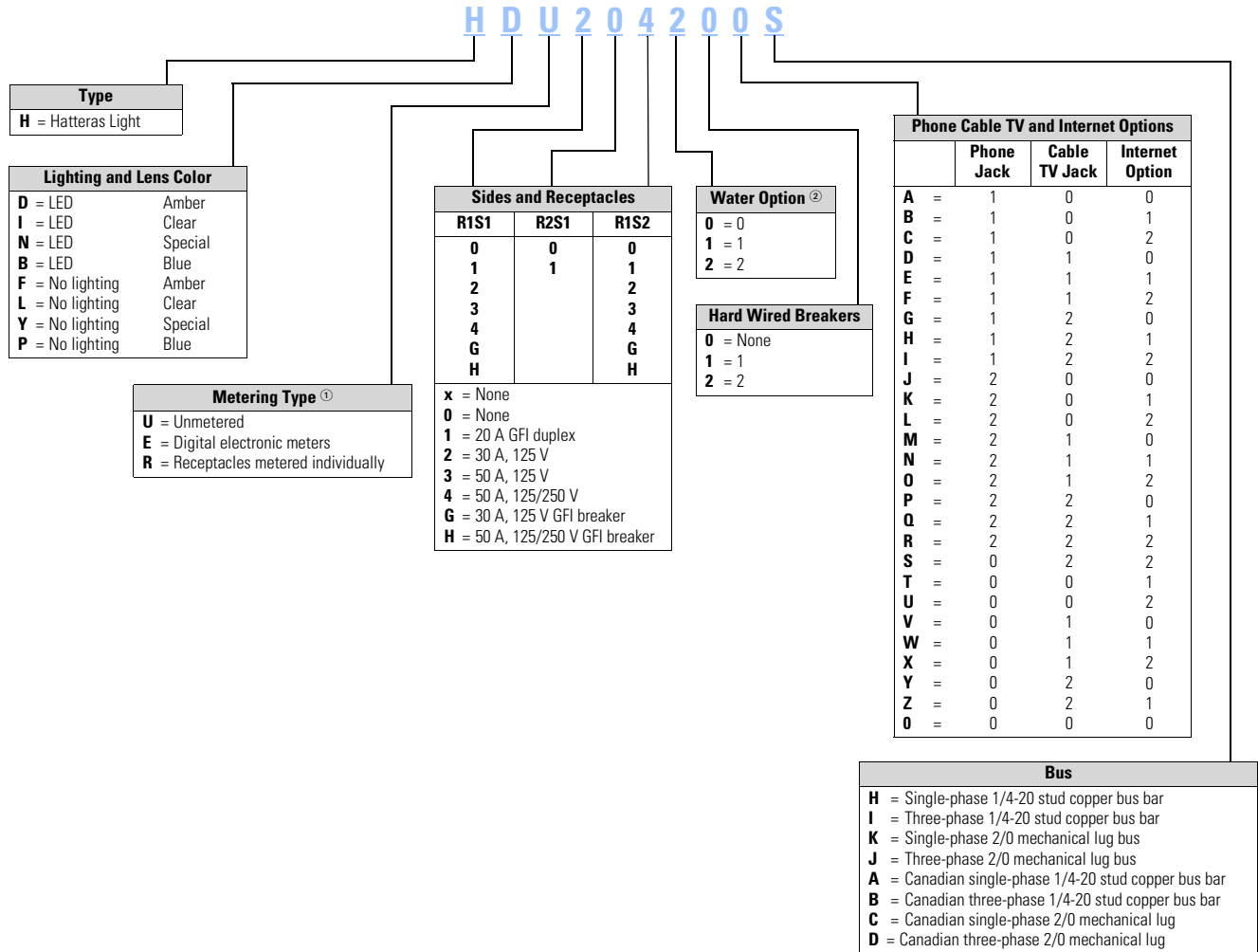
**20 A / 125 A GFI Receptacle**



**Faceplate**

#### Catalog Number Selection

5



Receptacles: R1 = Receptacle 1  
 R2 = Receptacle 2

**Notes**

- ① 20 A GFIs not metered.
- ② Number represents the quantity of 1/4-turn ball valves with 3/4-inch hose bibs.

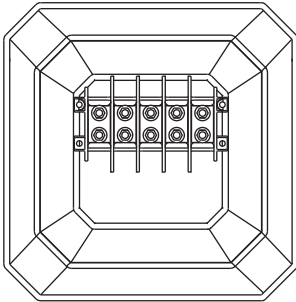
**Accessories**

See **Page V1-T5-72**.

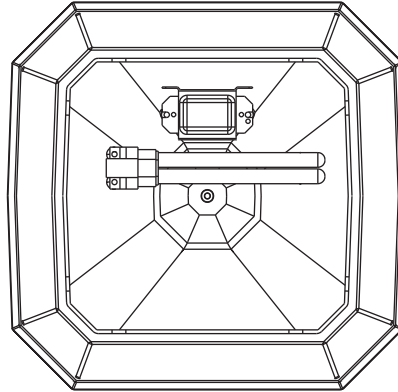
**Dimensions**

Approximate Dimensions in Inches (mm)

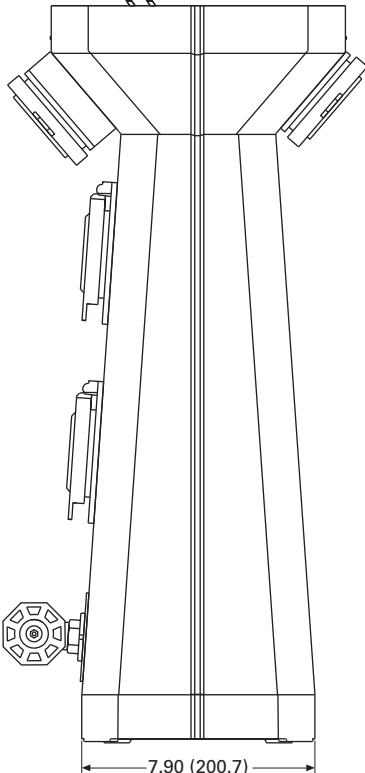
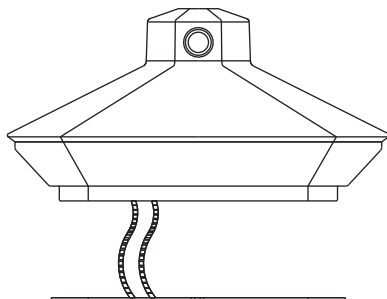
**Hatteras**



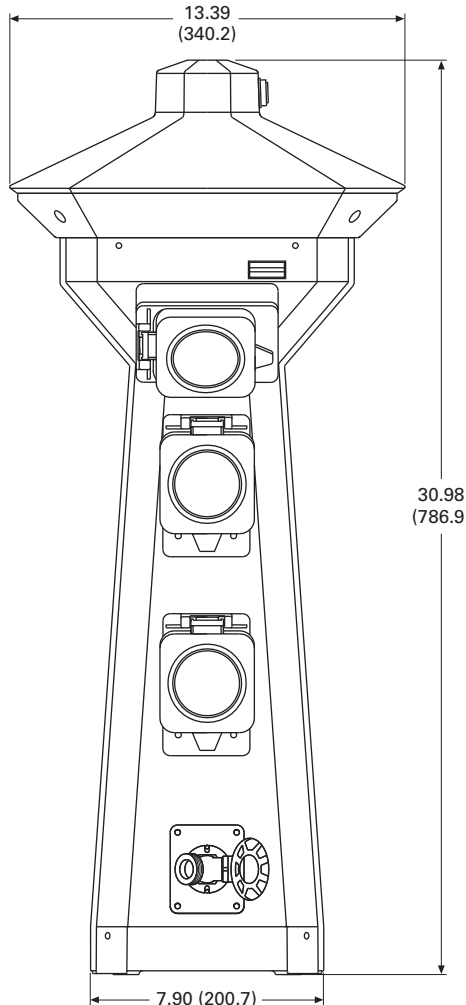
**Busbar Access Top Removed**



**Inside Top**



**Side View**



**Front View**

#### Firehouse



5

#### Firehouse

##### Product Description

Created as a complete solution for fire and rescue needs, this pedestal features fire extinguisher storage and a mounted alarm strobe light and siren, as well as an optional life ring. This unit is well equipped for any marina emergency. The alarm strobe light and siren can be automatically activated when the door is open or optional life ring is removed.

##### Features, Benefits and Functions

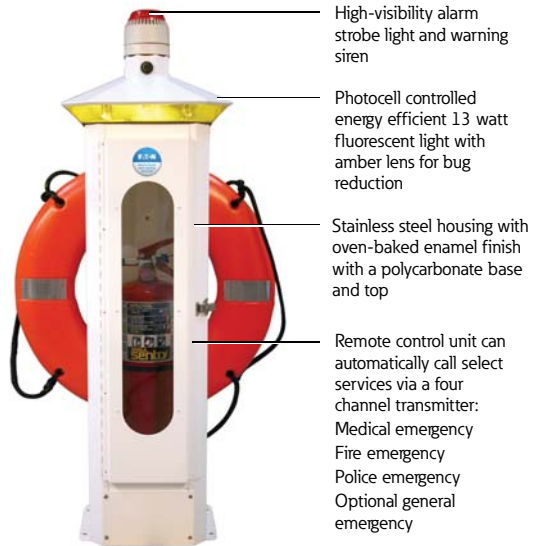
- Alarm strobe light and siren: automatically activated when door is open or optional life ring is removed
- Photocell controlled 13 watt fluorescent light (clear lens or amber lens for bug reduction)
- 10 lb ABC Type fire extinguisher
- 316L stainless steel polyester powder-coated housing
- Polycarbonate top assembly

#### Contents

##### Description

	<i>Page</i>
Power Pedestals . . . . .	<b>V1-T5-48</b>
Lighthouse . . . . .	<b>V1-T5-51</b>
Lighthouse-SS . . . . .	<b>V1-T5-55</b>
Admiral-SS . . . . .	<b>V1-T5-59</b>
Newport Harbor Mate . . . . .	<b>V1-T5-62</b>
Hatteras Light . . . . .	<b>V1-T5-66</b>
Firehouse	
Available Options . . . . .	<b>V1-T5-71</b>
Catalog Number Selection . . . . .	<b>V1-T5-71</b>
Accessories . . . . .	<b>V1-T5-72</b>
Dimensions . . . . .	<b>V1-T5-40</b>
Smart Start . . . . .	<b>V1-T5-76</b>
Mariner Lighting Bollard . . . . .	<b>V1-T5-77</b>
Digital Electronic Kilowatthour Meters . . . . .	<b>V1-T5-41</b>
Distribution Equipment—Ground Fault Monitor . . . . .	<b>V1-T5-42</b>
Distribution Equipment—Mega Yacht Powerpoint . . . . .	<b>V1-T5-80</b>
Distribution Equipment—Substations . . . . .	<b>V1-T5-83</b>
Distribution Equipment—Panels . . . . .	<b>V1-T5-86</b>
Distribution Equipment—Transformers . . . . .	<b>V1-T5-87</b>

#### Firehouse

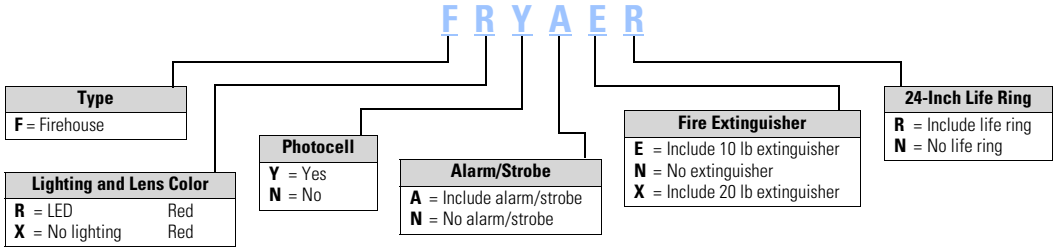


- High-visibility alarm strobe light and warning siren
- Photocell controlled energy efficient 13 watt fluorescent light with amber lens for bug reduction
- Stainless steel housing with oven-baked enamel finish with a polycarbonate base and top
- Remote control unit can automatically call select services via a four channel transmitter:
  - Medical emergency
  - Fire emergency
  - Police emergency
  - Optional general emergency

Available Options

- 24-inch life ring
- 20 lb ABC Type fire extinguisher available

Catalog Number Selection



## Accessories

**Accessories for Custom Design Marina Products, Resin and Stainless Steel Pedestals and Power Products**

## Replacement Parts Catalog Numbers

Description	Catalog Number
<b>Receptacles</b>	
20 A GFCI duplex	MPL3038
30 A 125 V twistlock	MPL3039
50 A 125 V twistlock	MPL3040
50 A 125/250 V twistlock	MPL3045
100 A 120/240 V pin and sleeve	MPL4100R12W
100 A 120/208 pin and sleeve	MPL5100R9W
100 A 480 V four-wire pin and sleeve	MPL4100R7W
100 A 480 V five-wire pin and sleeve	MPL5100R7W
200 A 277/480 V pin and sleeve (Russellstoll®)	MPL4200R7W
30 A 125 V RV	RV3042
50 A 125/250 V RV	RV3043
<b>Circuit Breakers</b>	
20 A 125 V single-pole	QCF1020
20 A 125 V single-pole GFCI	QCGF1020
30 A 125 V single-pole	QCF1030
30 A 125 V single-pole GFCI	QCGF1030
50 A 125 V single-pole	QCF1050
20 A 125/250 V two-pole	QCF2020
20 A 125/250 V two-pole GFCI	QCGF2020
30 A 125/250 V two-pole	QCF2030
30 A 125/250 V two-pole GFCI	QCGF2030
50 A 125/250 V two-pole	QCF2050
50 A 125/250 V two-pole GFCI	QCGF2050
60 A 125/250 V two-pole	QCF2060
100 A 125/250 V two-pole	GHC2100D
100 A 120/208 V three-pole	GHC3100D
200 A 277/480 V three-pole	JT2200FA
<b>Fluorescent Light Assembly</b>	
13 watt 120 V 60 Hz ballast	MPL2400
7 watt 120 V 60 Hz ballast	MPL2401
13 watt socket	MPL3079
7 watt socket	MPL3077
13 watt fluorescent bulb	MPL3018
7 watt fluorescent bulb	MPL3019
Photocell	MPL3044
Photocell nuts	MPL3034
Lighthouse in-line fuse	MPL3026
Lighthouse in-line fuse holder	MPL3027
<b>Lighthouse, Lighthouse-SS, Powerhouse, Powerhouse-SS, Hatteras, Park Light</b>	
Top with complete light and lens assembly	MPL6003A
Top with complete light and lens assembly—fused	MPL6003FA
Top only	MPL6003
Amber lens	MPL6005
Clear lens	MPL6008

## Replacement Parts Catalog Numbers, continued

Description	Catalog Number
<b>Lighthouse, Lighthouse-SS, Powerhouse, Powerhouse-SS, Hatteras, Park Light, continued</b>	
20 A GFCI receptacle external cover set	MPL1101
30 A receptacle external cover set	MPL1102
50 A receptacle external cover set	MPL1105
Single-pole external breaker cover set	MPL11061
Two-pole external breaker cover set	MPL11062
Three-pole external breaker cover set	MPL11063
<b>Lighthouse, Lighthouse-SS, Powerhouse, Powerhouse-SS</b>	
Lighthouse/Powerhouse pedestal main housing	MPL6006
Lighthouse-SS/Powerhouse-SS pedestal main housing	MPL6006S
Lighthouse/Powerhouse main door	MPL6007
Lighthouse-SS/Powerhouse-SS main door	MPL6007S
Lighthouse/Powerhouse spring closure	MPL1099
Lighthouse Powerhouse top isolation plate	MPL6012
Lighthouse/Lighthouse-SS breaker plate	MPL1141
Powerhouse/Powerhouse-SS breaker plate	RV1112
Lighthouse/Lighthouse-SS/Powerhouse/Powerhouse-SS Hose and cable brackets	MPL1087
Lighthouse/Powerhouse stainless steel hinge	MPL1088
Lighthouse/Powerhouse complete pedestal base with busbar assembly	MPL6004A
Lighthouse/Powerhouse complete pedestal base with three-phase busbar assembly	MPL6004FA
Lighthouse/Powerhouse pedestal base without busbars	MPL6004
Lighthouse/Powerhouse aluminum blank access panel	MPL5500
Lighthouse/Lighthouse-SS/Powerhouse/Powerhouse-SS complete busbar assembly	MPL1140A
Lighthouse/Lighthouse-SS/Powerhouse/Powerhouse-SS complete three-phase busbar assembly	MPL1140FA
Copper busbar with nuts and washers	MPL3471
20 A GFCI—00 amber resin faceplate	MPL1120
30 A—20 GFCI amber resin faceplate	MPL1121
30—50 A amber resin faceplate	MPL1122
30—30 A amber resin faceplate	MPL1127
30—00 A amber resin faceplate	MPL1129
50—50 A amber resin faceplate	MPL1123
50 A—20 GFCI amber resin faceplate	MPL1124
20 GFCI—20 GFCI amber resin faceplate	MPL1125
00—00 amber resin faceplate	MPL1126
50 A—00 amber resin faceplate	MPL1128
100 A faceplate	MPL1142
20 A GFCI—00 amber resin faceplate assembly with breakers	MPL1120A
30 A—20 GFCI amber resin faceplate assembly with breakers	MPL1121A
30—50 A amber resin faceplate assembly with breakers	MPL1122A



## Replacement Parts Catalog Numbers, continued

Description	Catalog Number
<b>Lighthouse, Lighthouse-SS, Powerhouse, Powerhouse-SS, continued</b>	
30–30 A amber resin faceplate assembly with breakers	MPL1127A
50–50 A amber resin faceplate assembly with breakers	MPL1123A
50 A—20 GFCI amber resin faceplate assembly with breakers	MPL1124A
20 GFCI—20 GFCI amber resin faceplate assembly with breakers	MPL1125A
50 A—00 amber resin faceplate assembly with breakers	MPL1128A
30–00 A faceplate assembly with breakers	MPL1129A
100 A faceplate assembly with breakers	MPL1142A
Powerhouse 30–50 receptacle plate	RV1143
Powerhouse (30 A—00) receptacle plate	RV11433
Powerhouse (50 A—00) receptacle plate	RV11435
Powerhouse breaker plate	RV1112
<b>Phone, Cable, Internet Assemblies</b>	
Lighthouse/Powerhouse complete phone and cable assembly	MPL1114/RV1114
Lighthouse-SS/Powerhouse-SS/Hatteras Light/Park Light complete phone and cable assembly	MPL1119/RV1119
Hatteras Light/Park Light complete phone and cable assembly	MPL1119
Newport Harbor Mate/Camp Mate phone and cable insert assembly	MPL1115/RV1115
Lighthouse/Powerhouse access plates with dual Internet jacks	MPL5501
Coax cable TV FCF female adpt. with lugnut and washer	MPL1086
RJ45 CAT5e high-speed internet jack	MPL3059
Marine phone receptacle	MPL3037
RJ12 CAT3 phone jack	RV3060
<b>Water Assemblies</b>	
Lighthouse/Powerhouse complete water manifold assembly (dual 3/4-inch hose bibs with 1/4-turn ball valves)	MPL11A
Newport Harbor Mate/Newport Camp Mate water manifold assembly (dual 3/4-inch hose bibs with 1/4-turn ball valves)	MPL11C
3/4-inch hose adapter	MPL7030
Lighthouse/Powerhouse water mounting plate with mounting brackets	MPL1132
Hatteras Light/Park Light aluminum water mounting plate	MPL6584
1/2-inch brass silcock (hose bib)	MPL7014
3/4-inch stainless steel silcock (hose bib)	MPL5271
3/4-inch brass ball valve	MPL7021
Watts 3/4-inch backflow preventer	MPL7015

## Replacement Parts Catalog Numbers, continued

Description	Catalog Number
<b>Digital Electronic Meters</b>	
Single element, 14-pin quick disconnect (no CTs)	MPL17A1
Single element, 14-pin quick disconnect (with CTs)	MPL17A2 ①
Single element, 14-pin quick disconnect (with CTs)	MPL17A2 ②
Dual element, 14-pin quick disconnect (no CTs)	MPL17B1
Dual element, 14-pin quick disconnect (with CTs)	MPL17B2 ①
Dual element, 14-pin quick disconnect (with CTs)	MPL17B2 ②
Three element, 14-pin quick disconnect (no CTs)	MPL17C1
Three element, 14-pin quick disconnect (with CTs)	MPL17C2 ①
Three element, 14-pin quick disconnect (with CTs)	MPL17C2 ②
Single element coil transformers (CTs)	MPL30321 ①
Single element coil transformers (CTs)	MPL30321 ②
Dual element coil transformers (CTs)	MPL30322 ①
Dual element coil transformers (CTs)	MPL30322 ②
Three element coil transformers (CTs)	MPL30323 ①
Three element coil transformers (CTs)	MPL30323 ②
Counter (large—old style)	MPL3022
Counter (small—new style)	MPL3021
<b>Hatteras Light (Marina) and Park Light (RV) ③</b>	
Pedestal main housing	MPL6002
Copper busbar with nuts and washers	MPL3468
Complete busbar assembly	MPL1108A
Complete three-phase busbar assembly	MPL1108FA
20 A GFCI external cover door	MPL1101
30 A external cover door	MPL1102
50 A external cover door	MPL1105
Light fuse	MPL3026
Fuse holder	MPL3027
Mounting feet (set of four)	MPL7004

**Notes**

- ① Lighthouse, Lighthouse-SS, Powerhouse, Powerhouse-SS.  
 ② Hatteras Light, Park Light, Newport Camp Mate, Newport Harbor Mate.  
 ③ Please contact factory to determine configurations for replacement housing.

## Replacement Parts Catalog Numbers, continued

Description	Catalog Number
<b>Newport Harbor Mate (Marina) and Camp Mate (RV)</b>	
Amber lens—three-piece	MPL1117
Clear lens—three-piece	MPL1109
Main housing	MPL6000
Main door	MPL6001
30–30 A faceplate ①	MPL1135
30–50 A faceplate ①	MPL1136
50–50 A faceplate ①	MPL1137
50 A–00 faceplate ①	MPL1138
30 A–00 faceplate ①	MPL1139
30–30 A faceplate assembly with breakers ①	MPL1135A
30–30–20 GFI faceplate assembly ①	MPL1135G/RV1135G
30–50 A faceplate assembly with breakers ①	MPL1136A
30–50–20 GFI faceplate assembly ①	MPL1136G/RV1136G
50–50 A faceplate assembly with breakers ①	MPL1137A
50–50–20 GFI faceplate assembly ①	MPL1137G/RV1137G
50 A–00 faceplate assembly with breakers ①	MPL1138A
50–20 GFI faceplate assembly ①	MPL1138G/RV1138G
30 A–00 faceplate assembly with breakers ①	MPL1139A
30–20 GFI faceplate assembly ①	MPL1139G/RV1139G
Mounting brackets	MPL7005
36-inch stainless steel stand	MPL5506
Copper busbar with nuts and washers	MPL3468
Complete busbar assembly	MPL1108A
Complete three-phase busbar assembly	MPL1108FA
<b>Firehouse (Marina and RV)</b>	
Red strobe light/siren	MPL3020
Firehouse top with lighting assembly and strobe	MPLFH6003A
Light fuse	MPL3029
Fuse holder	MPL3028
Door	MPL6013
24-inch life ring	MPL4201
Life ring bracket	MPL4201B
Blank access panel	MPL6015
Door/life ring switch (pre-2004)	MPL3030
Door/life ring switch (new)	MPL3050
Door hasp	MPL3950
Busbar (double barrel terminal block)	MPL3751
10-lb ABC Type fire extinguisher	MPL8025
20-lb ABC Type fire extinguisher	MPL8025X

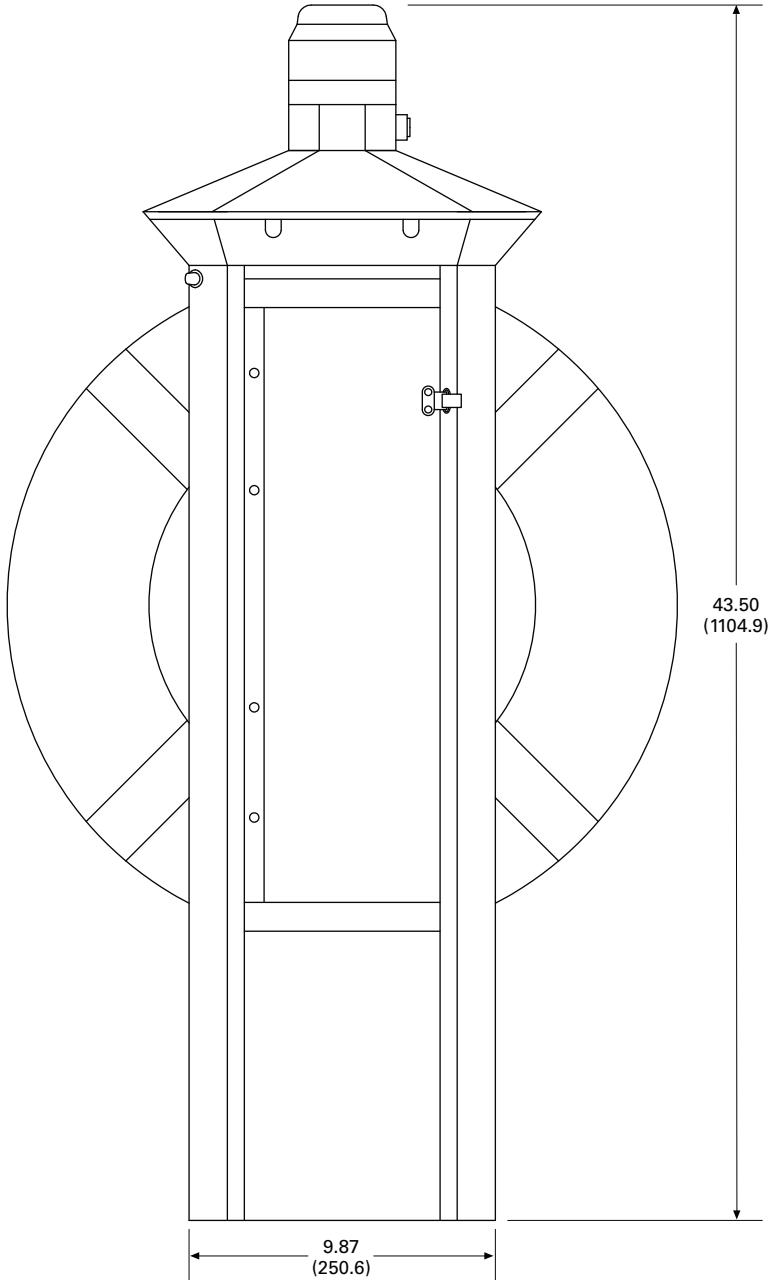
**Note**

① For custom faceplates to include phone/cable or other accessories, please contact Eaton's Marina Power & Lighting facility at 1-800-723-8009.

**Dimensions**

Approximate Dimensions in Inches (mm)

**Firehouse-SS**



#### Smart Start



5

#### Contents

<i>Description</i>	<i>Page</i>
Power Pedestals . . . . .	<b>V1-T5-48</b>
Lighthouse . . . . .	<b>V1-T5-51</b>
Lighthouse-SS . . . . .	<b>V1-T5-55</b>
Admiral-SS . . . . .	<b>V1-T5-59</b>
Newport Harbor Mate . . . . .	<b>V1-T5-62</b>
Hatteras Light . . . . .	<b>V1-T5-66</b>
Firehouse . . . . .	<b>V1-T5-70</b>
Smart Start	
Mariner Lighting Bollard . . . . .	<b>V1-T5-77</b>
Digital Electronic Kilowatthour Meters . . . . .	<b>V1-T5-41</b>
Distribution Equipment—Ground Fault Monitor . . . . .	<b>V1-T5-42</b>
Distribution Equipment—Mega Yacht Powerpoint . . . . .	<b>V1-T5-80</b>
Distribution Equipment—Substations . . . . .	<b>V1-T5-83</b>
Distribution Equipment—Panels . . . . .	<b>V1-T5-86</b>
Distribution Equipment—Transformers . . . . .	<b>V1-T5-87</b>

#### Smart Start

##### Product Description

If you have transient boat slips, Eaton Marina Power and Lighting has developed their newest product for your situation.

The new “Smart Start” pedestal is activated by the swipe of a credit card. A kiosk will be centrally located at the marina and will control up to 32 power pedestals. When a boater wants to use a slip, they will enter the slip number and amount of time they would like and will then be asked to swipe a card in order to activate the pedestal. Once the chosen time is up, the pedestal will shut down. No more free power!

The “Smart Start” pedestal will not only prevent transient boaters from stealing power, but it will also eliminate the need for 24-hour monitoring of the slips. Boaters will be able to come in at any time of the day and activate a pedestal.

##### Features

- Lighted 316L stainless steel kiosk enclosure
- Programmable slip time blocks
- Programmable slip rates printable receipts

##### Standards and Certifications

- UL listing pending



##### Dimensions

Approximate Dimensions in Inches (mm)

<b>Smart Start</b>	
Height	60.05 (1525.3)
Width	14.15 (359.4)
Depth	14.24 (361.9)

Marina Power and Lighting Equipment



**Mariner Lighting Bollard**

**Mariner Lighting Bollard**

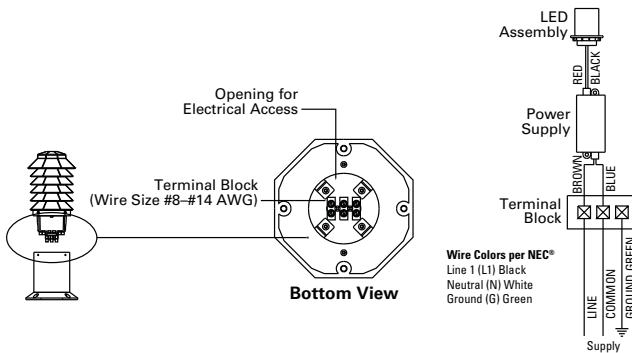
**Product Description**

The Mariner Lighting Bollard is intended for use as pathway lighting in a variety of environments and applications. These units are suitable for marinas, parks, golf courses, and commercial and residential applications.

**Features**

- Limited lifetime warranty on engineered resin housing
- Custom colors available
- Side-mounted option available
- Input 120 Vac, consumption 7.5 W
- Color temperature 3000 K
- Photometric files available

**Wiring Diagram**

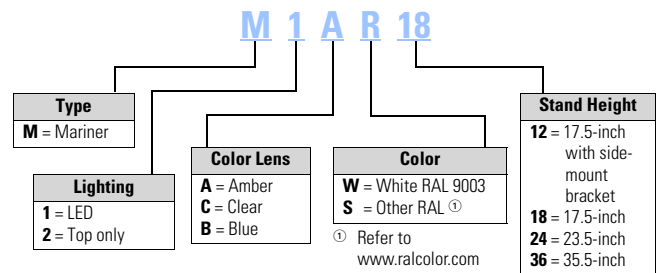


**Contents**

**Description**

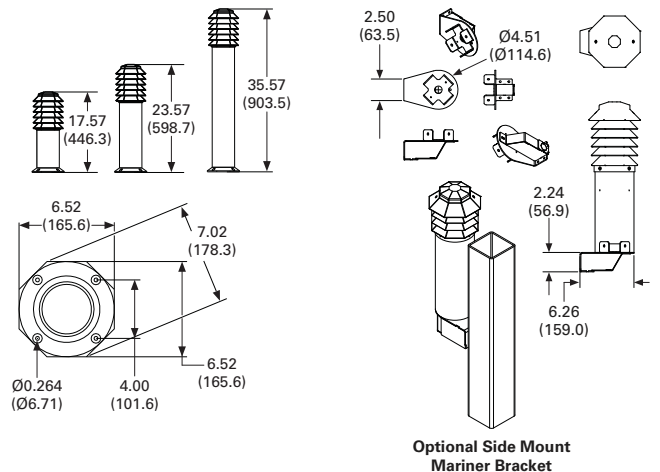
Description	Page
Power Pedestals	V1-T5-48
Lighthouse	V1-T5-51
Lighthouse-SS	V1-T5-55
Admiral-SS	V1-T5-59
Newport Harbor Mate	V1-T5-62
Hatteras Light	V1-T5-66
Firehouse	V1-T5-70
Smart Start	V1-T5-76
Mariner Lighting Bollard	
Digital Electronic Kilowatthour Meters	V1-T5-41
Distribution Equipment—Ground Fault Monitor	V1-T5-42
Distribution Equipment—Mega Yacht Powerpoint	V1-T5-80
Distribution Equipment—Substations	V1-T5-83
Distribution Equipment—Panels	V1-T5-86
Distribution Equipment—Transformers	V1-T5-87

**Catalog Number Selection**



**Dimensions**

Approximate Dimensions in Inches (mm)



#### Digital Electronic Kilowatt Hour Meters



### Digital Electronic Kilowatt-hour Meters

#### Product Description

Using the latest surface mount technology, Eaton manufactures a digital electronic kilowatt-hour meter that exceeds the +/- 2% accuracy required by ANSI (American National Standards Institute) C-12.1 and is approved by the state of California at +/- 1% over the full range of 0–100 A from a 0.5–1 power factor and is available for both single- and three-phase applications.

The meter drives an electro-mechanical counter that requires a 12 V pulse each tenth of a kilowatt-hour, providing 10 pulses per kilowatt used. The meter output can be hard wired or connected to a transmitter in the pedestal for wireless transmission to a receiver displaying the output on a PC for direct billing of up to 1,000 individual customers.

#### Features

Our meter is designed to be user friendly in that all connections from external sources and the meter output are through one 14-pin locking connector. This feature eliminates many common problems, such as reverse line polarity and improper coil polarity. Simple LEDs, both red and green, indicate line and load condition and the pulsed LED indicates the rate of power consumption.

#### Wireless System

All of our meters are “wireless capable” to allow for wireless meter reading. This technology enables the marina or RV park to get meter readings from one central location rather than visiting every site to read the counters.

#### Meter Socket Capabilities

Meter sockets are available on the Lighthouse and Lighthouse–SS.

#### Standard

- Four jaw
- Ring-type
- 100 A

### Contents

#### Description

<i>Description</i>	<i>Page</i>
Power Pedestals . . . . .	<b>V1-T5-48</b>
Lighthouse . . . . .	<b>V1-T5-51</b>
Lighthouse–SS . . . . .	<b>V1-T5-55</b>
Admiral–SS . . . . .	<b>V1-T5-59</b>
Newport Harbor Mate . . . . .	<b>V1-T5-62</b>
Hatteras Light . . . . .	<b>V1-T5-66</b>
Firehouse . . . . .	<b>V1-T5-70</b>
Smart Start . . . . .	<b>V1-T5-76</b>
Mariner Lighting Bollard . . . . .	<b>V1-T5-77</b>
Digital Electronic Kilowatt-hour Meters	
Distribution Equipment—Ground Fault Monitor . . . . .	<b>V1-T5-42</b>
Distribution Equipment—Mega Yacht Powerpoint . . . . .	<b>V1-T5-80</b>
Distribution Equipment—Substations . . . . .	<b>V1-T5-83</b>
Distribution Equipment—Panels . . . . .	<b>V1-T5-86</b>
Distribution Equipment—Transformers . . . . .	<b>V1-T5-87</b>

#### Available Options

- 200 A (SS only)
- Lockable hasp
- Ringless (SS only)
- Five jaw
- Seven jaw (SS only)

#### Product Selection



*One Element Meter*



*Two Element Meter*



*Three Element Meter*

**Ground Fault Monitor**



**Contents**

<i>Description</i>	<i>Page</i>
Power Pedestals . . . . .	<b>V1-T5-48</b>
Lighthouse . . . . .	<b>V1-T5-51</b>
Lighthouse-SS . . . . .	<b>V1-T5-55</b>
Admiral-SS . . . . .	<b>V1-T5-59</b>
Newport Harbor Mate . . . . .	<b>V1-T5-62</b>
Hatteras Light . . . . .	<b>V1-T5-66</b>
Firehouse . . . . .	<b>V1-T5-70</b>
Smart Start . . . . .	<b>V1-T5-76</b>
Mariner Lighting Bollard . . . . .	<b>V1-T5-77</b>
Digital Electronic Kilowatthour Meters . . . . .	<b>V1-T5-41</b>
Distribution Equipment—Ground Fault Monitor . . . . .	
Distribution Equipment—Mega Yacht Powerpoint . . . . .	<b>V1-T5-80</b>
Distribution Equipment—Substations . . . . .	<b>V1-T5-83</b>
Distribution Equipment—Panels . . . . .	<b>V1-T5-86</b>
Distribution Equipment—Transformers . . . . .	<b>V1-T5-87</b>

**Distribution Equipment—Ground Fault Monitor**

**Product Description**

Our ground fault monitoring systems are designed to detect fault currents in the AC shore power system that are too low to trip a circuit breaker. The ground fault monitor helps reduce the risk of injury or property damage that may result from stray fault currents. Our ground fault monitoring system provides information to the maintenance staff on the overall condition of the AC electrical system. The ground fault monitoring system operates 24 hours a day and can be monitored by non-technical personnel.

**Features**

- Adjustable trip level 10 mA to 10 A
- Current transformers up to 8 1/4-inch diameter
- Visual and/or audible alarm
- Housing of fiberglass or powder-coated stainless steel available

**Power Guard**

The ground fault monitor detects ground fault currents by means of current transformers (CT), which are placed around main or branch circuits. If a ground fault occurs, the CT will detect the amount of fault current and send a signal to the ground fault monitoring device where the amount of fault current is displayed with the faulty circuit identified. The detected fault can either activate an indicator alarm or disconnect the faulted circuit.

**Standards and Certifications**

- UL listed current transformers



Marina Power and Lighting Equipment



### Contents

<i>Description</i>	<i>Page</i>
Power Pedestals . . . . .	<b>V1-T5-48</b>
Lighthouse . . . . .	<b>V1-T5-51</b>
Lighthouse-SS . . . . .	<b>V1-T5-55</b>
Admiral-SS . . . . .	<b>V1-T5-59</b>
Newport Harbor Mate . . . . .	<b>V1-T5-62</b>
Hatteras Light . . . . .	<b>V1-T5-66</b>
Firehouse . . . . .	<b>V1-T5-70</b>
Smart Start . . . . .	<b>V1-T5-76</b>
Mariner Lighting Bollard . . . . .	<b>V1-T5-77</b>
Digital Electronic Kilowatthour Meters . . . . .	<b>V1-T5-41</b>
Distribution Equipment—Ground Fault Monitor . . . . .	<b>V1-T5-42</b>
Distribution Equipment—Mega Yacht Powerpoint Wiring Diagram . . . . .	<b>V1-T5-81</b>
Dimensions . . . . .	<b>V1-T5-82</b>
Distribution Equipment—Substations . . . . .	<b>V1-T5-83</b>
Distribution Equipment—Panels . . . . .	<b>V1-T5-86</b>
Distribution Equipment—Transformers . . . . .	<b>V1-T5-87</b>

### Distribution Equipment—Mega Yacht Powerpoint

#### Product Description

From the company that is known for its high-quality innovations, Eaton is the only company to offer a self-contained dual-phase mega yacht unit. Made out of long-lasting stainless steel, this mega yacht unit has a copper-wound, low-noise transformer that is double insulated and epoxy overcoated. The mega yacht unit delivers both single-phase and three-phase power to serve most mega yachts. Helping to keep your marina environment tranquil, the mega yacht unit has a low-noise, highly efficient transformer that has isolation mounts to ensure a very quiet operation.

#### Features

- Thermostatically controlled fans in transformer compartment for cooling
- Heavy stainless steel (316L) cabinet with a polyester powder coating
- Ventilated sun shields to help unit run cooler in tropical climates
- Limited lifetime warranty on housing
- Two or three light 13 watt photocell controlled fluorescent lights on the sun shield for optimal night lighting

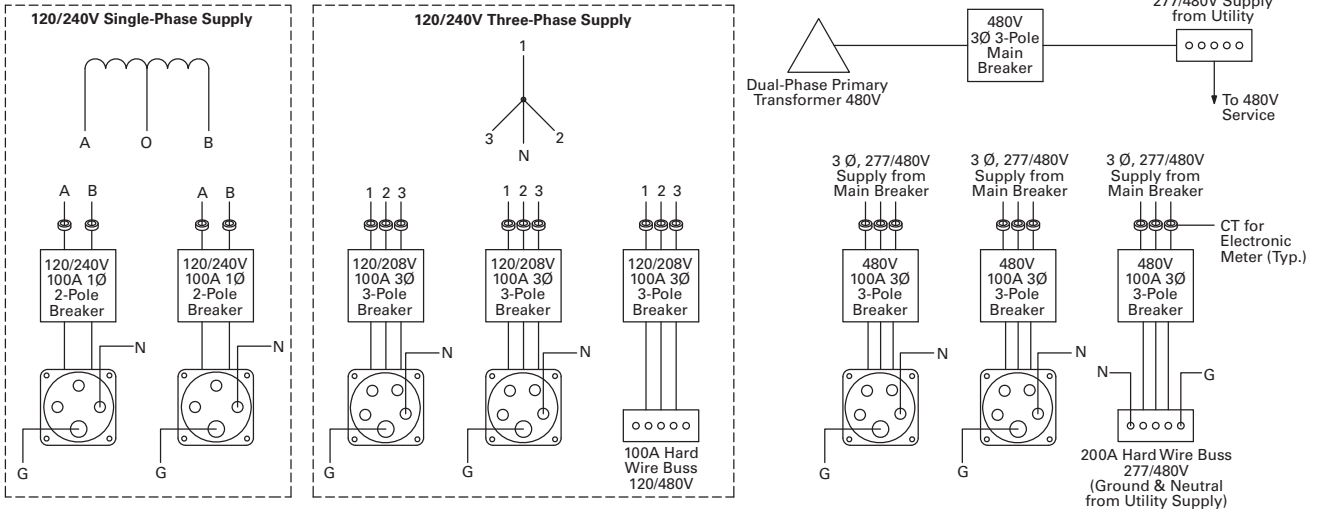
#### Available Options

- 200 A–480 V three-phase receptacles
- 100% rated breakers
- Hard wiring busbars for all voltages with breaker protection
- Two 3/4 inch water outlets with a water meter
- Two phone, two CATV and two CAT5 high-speed Internet connections
- Digital electronic meters on all receptacles
- Primary breaker
- Two 480 V delta or wye 125 A three-phase receptacles (IEC)
- Two 120/208 V 100 A three-phase receptacles (IEC)
- Two 120/240 V 100 A single-phase receptacles (IEC)
- Up to four 50 A 120/240 V locking receptacles (NEMA)
- Up to four 30 A 120 V locking receptacles (NEMA)
- Wireless remote metering for electric and water
- 20 A GFI receptacle
- Primary side 480 V maximum 600 A
- Secondary side single-phase 120/240 V maximum 100 kVA
- Secondary side three-phase 120/208 V maximum 125 kVA
- Fire extinguisher—10 or 20 lbs



Wiring Diagram

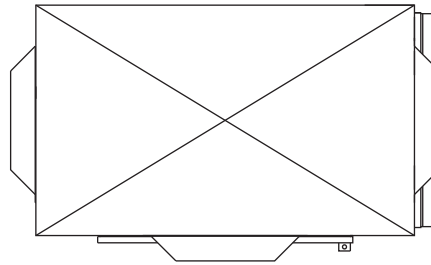
Powerpoint



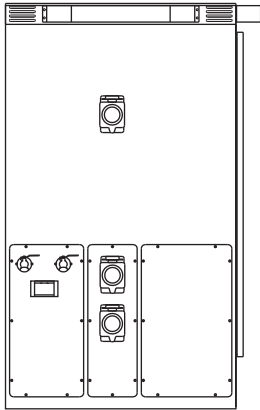
#### Dimensions

Approximate Dimensions in Inches (mm)

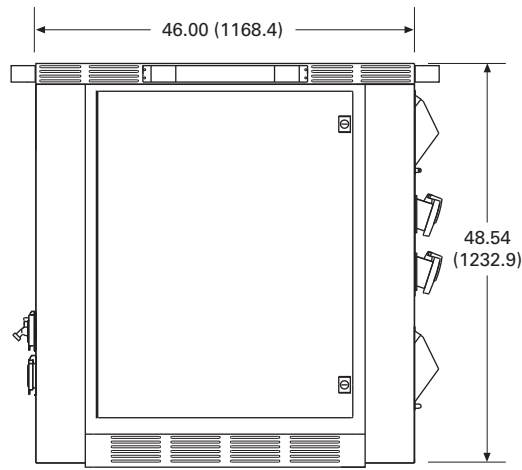
#### Powerpoint Unit



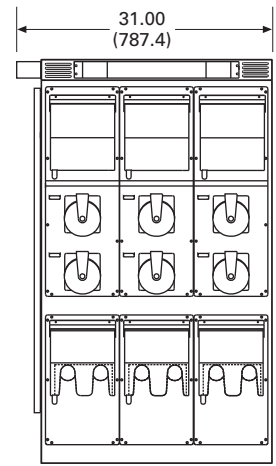
Top With Solar Shield



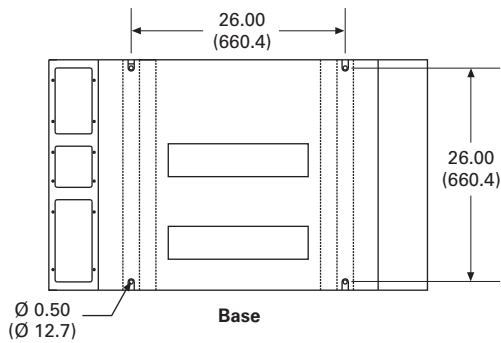
Left Side



Front



Right Side



Base

Substations



Double Panel Substation

Contents

<i>Description</i>	<i>Page</i>
Power Pedestals . . . . .	V1-T5-48
Lighthouse . . . . .	V1-T5-51
Lighthouse-SS . . . . .	V1-T5-55
Admiral-SS . . . . .	V1-T5-59
Newport Harbor Mate . . . . .	V1-T5-62
Hatteras Light . . . . .	V1-T5-66
Firehouse . . . . .	V1-T5-70
Smart Start . . . . .	V1-T5-76
Mariner Lighting Bollard . . . . .	V1-T5-77
Digital Electronic Kilowatthour Meters . . . . .	V1-T5-41
Distribution Equipment—Ground Fault Monitor . . . . .	V1-T5-42
Distribution Equipment—Mega Yacht Powerpoint . . . . .	V1-T5-80
Distribution Equipment—Substations	
Features, Benefits and Functions . . . . .	V1-T5-44
Available Options . . . . .	V1-T5-45
Standards and Certifications . . . . .	V1-T5-45
Dimensions . . . . .	V1-T5-45
Distribution Equipment—Panels . . . . .	V1-T5-86
Distribution Equipment—Transformers . . . . .	V1-T5-87

Distribution Equipment—Substations

Product Description

The introduction of substations into the marina and recreational vehicle market allows Eaton to be your complete marina and RV park electrical products supplier. We are able to assist in the design and layout of your marina or RV park electrical system from the primary service provider, to your power pedestal. Our substations are designed for any coastal or inland environment and are constructed of powder-coated stainless steel NEMA 3R housing cabinets. All substation cabinets come with our limited lifetime warranty. All of our substations use Eaton’s panels and circuit breakers providing our customers the utmost in circuit protection and quality.

Application Description

The aluminum and Galvaneal cabinets are recommended for inland applications. The substations can be configured with 50–330 kVA single-phase or three-phase copper wound transformers and up to 20 single-phase or 12 three-phase branch breakers. An optional three-sided double-wall cabinet is available that provides air flow between the panels. All substations come standard with temperature controlled cooling fans.

Product Selection Guide

Panel and Transformer Combinations

Panel	Transformer
<b>Single-Phase</b>	
200 A	50 kVA
300 A	75 kVA
400 A	100 kVA
600 A	150 kVA
700 A	167.5 kVA
800 A	200 kVA
1000 A	250 kVA
1200 A	330 kVA
<b>Three-Phase</b>	
100 A	45 kVA
200 A	75 kVA
300 A	112.5 kVA
400 A	150 kVA
600 A	225 kVA
800 A	300 kVA

#### Features, Benefits and Functions

- Limited lifetime warranty on the housing
- All stainless steel hardware
- Temperature controlled cooling fans in the transformer and circuit breaker compartments
- Lockable door

#### Ventilation

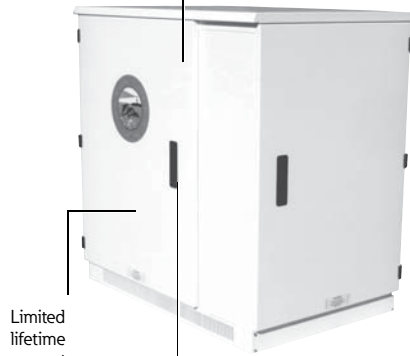
The substation ventilation is designed to optimize air circulation over and around the transformers and through the panel compartment so that the substation operates at lower temperatures.

Substations come equipped with temperature controlled cooling fans for exhausting hot air from the cabinet and solar shield.

In addition, substations are available with a double-walled cabinet and solar shield, which allow for cooling of both the exterior surface of the cabinet and the internal components.

#### Substations

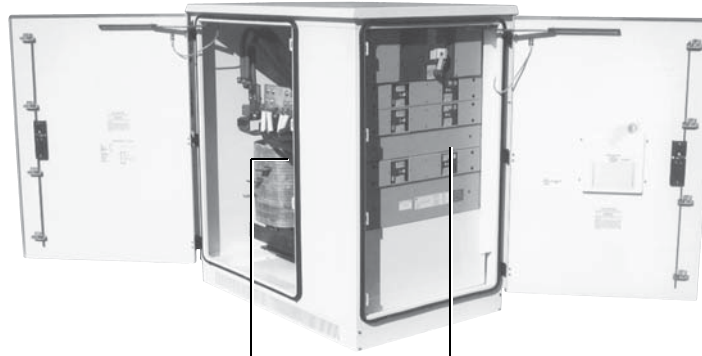
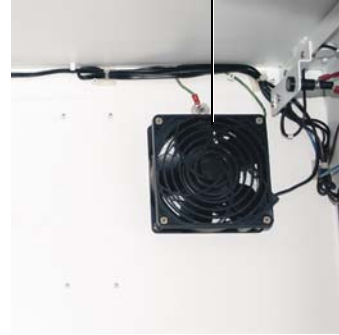
Stainless steel housing with polyester powder coating



Limited lifetime warranty on the housing

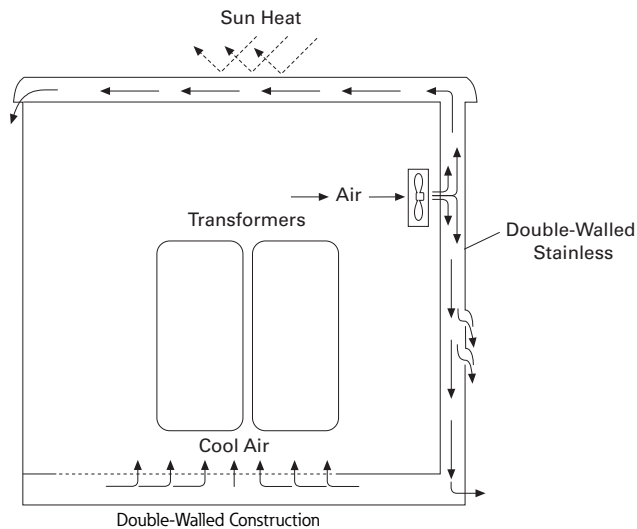
Stainless steel hardware with locking doors

Temperature-controlled fans for cooling



Custom made to your specifications:  
Single-phase or three-phase copper wound transformers  
50 to 330 kVA

Up to 1200 A main circuit breaker with  
20 single-phase or 12 three-phase  
branch circuit breakers



**Available Options**

- Powder-coated cabinets made of stainless steel or fiberglass
- Limited lifetime warranty on housing. Transformer and secondary distribution panel in a single enclosure have a one-year limited warranty
- Stainless steel housing and hardware with locking doors
- Single-phase and three-phase models
- Overload capacity meets ANSI L57.96–01.250
- Optional double-walled construction
- Temperature controlled fans for cooling
- Custom-made copper wound single-phase or three-phase transformers from 50–330 kVA
- Up to 1200 A main circuit breaker with 15 single-phase branch circuit breakers or 10 three-phase branch circuit breakers
- Substations can be equipped with photocells to turn on and off lights
- A 20 A GFI can be installed in the cabinet, as well as a ground fault monitoring system

**Standards and Certifications**

- cULus listed

**Dimensions**

Approximate Dimensions in Inches (mm)

**Substations****Standard Substation**

Height	53.00 (1346.2)
Width	51.00 (1295.4)
Depth	33.00 (838.2)

**Side-by-Side Substation**

Height	53.00 (1346.2)
Width	66.00 (1676.4)
Depth	30.00 (762.0)

**Double Panel Substation**

Height	53.00 (1346.2)
Width	63.00 (1600.2)
Depth	33.00 (838.2)

#### Panels



Panel (Stainless Steel Shown)

5

#### Contents

<i>Description</i>	<i>Page</i>
Power Pedestals . . . . .	<b>V1-T5-48</b>
Lighthouse . . . . .	<b>V1-T5-51</b>
Lighthouse-SS . . . . .	<b>V1-T5-55</b>
Admiral-SS . . . . .	<b>V1-T5-59</b>
Newport Harbor Mate . . . . .	<b>V1-T5-62</b>
Hatteras Light . . . . .	<b>V1-T5-66</b>
Firehouse . . . . .	<b>V1-T5-70</b>
Smart Start . . . . .	<b>V1-T5-76</b>
Mariner Lighting Bollard . . . . .	<b>V1-T5-77</b>
Digital Electronic Kilowatthour Meters . . . . .	<b>V1-T5-41</b>
Distribution Equipment—Ground Fault Monitor . . . . .	<b>V1-T5-42</b>
Distribution Equipment—Mega Yacht Powerpoint . . . . .	<b>V1-T5-80</b>
Distribution Equipment—Substations . . . . .	<b>V1-T5-83</b>
Distribution Equipment—Panels . . . . .	<b>V1-T5-87</b>
Distribution Equipment—Transformers . . . . .	<b>V1-T5-87</b>

#### Distribution Equipment—Panels

##### Product Description

Two of the many products we can offer our customers are Eaton’s PRL-3A and PRL-4 panels as standalone units or in one of our substations. All of our busses are made of copper and are load rated; breakers are bolt-on type. Distribution panels can be 120/240 V single-phase, 120/208 V three-phase, 277/480 V three-phase or 220Y/127 V three-phase based on your system requirements. Distribution panels can also have a main breaker or a main lug. Branch circuit breakers are provided based on customer requirements.

##### Features

- All internal wiring is fine stranded 1000 V insulated copper
- Copper busbars
- All exterior hardware is stainless steel

##### Available Options

- NEMA 3R or 4X
- Powder-coated stainless steel
- Main breaker up to 1200 A
- Branch breaker 20–1200 A
- Main lug only
- We also offer 480 V models—single-phase and three-phase

##### Standards and Certifications

- UL listed
- cULus listed



##### Single-Phase

- Up to 1200 A main circuit breakers
- Up to 42 branch circuit breakers

##### Three-Phase

- Up to 1200 A main circuit breakers
- Up to 42 branch circuit breakers

Transformers



Three-Phase Transformer

Contents

<i>Description</i>	<i>Page</i>
Power Pedestals . . . . .	V1-T5-48
Lighthouse . . . . .	V1-T5-51
Lighthouse-SS . . . . .	V1-T5-55
Admiral-SS . . . . .	V1-T5-59
Newport Harbor Mate . . . . .	V1-T5-62
Hatteras Light . . . . .	V1-T5-66
Firehouse . . . . .	V1-T5-70
Smart Start . . . . .	V1-T5-76
Mariner Lighting Bollard . . . . .	V1-T5-77
Digital Electronic Kilowatthour Meters . . . . .	V1-T5-41
Distribution Equipment—Ground Fault Monitor . . . . .	V1-T5-42
Distribution Equipment—Mega Yacht Powerpoint . . . . .	V1-T5-80
Distribution Equipment—Substations . . . . .	V1-T5-83
Distribution Equipment—Panels . . . . .	V1-T5-86
Distribution Equipment—Transformers	

Distribution Equipment—Transformers

Product Description

Because of the high humidity and corrosive conditions of coastal environments, our transformers are wound with Class H heavily insulated copper bar and are double dipped in tough insulating varnish that protects the copper, as well as reduces the hum that is typical in a transformer that is not double dipped. We provide a second overcoat of high temperature epoxy to protect against the severe saltwater environment. We can provide this transformer in single-phase, from 50 to 500 kVA, and three-phase, from 45 to 300 kVA.

Features

- Copper wound transformer coils double dipped in high temperature baking varnish
- All internal wiring is fine stranded 2000 V insulated copper
- Copper busbars
- Marine transformers with epoxy overcoat
- All copper-to-copper connections

Available Options

- Single-phase: 50–500 kVA
- Three-phase: 45–300 kVA
- Epoxy overcoat for non-marine applications

Standards and Certifications

- cULus listed



Primary Voltages

- 480 wye three-phase
- 480 V three-phase delta three-wire + ground
- 480 V single-phase two-wire + ground

Secondary Voltages

- 127/220 V three-phase wye four-wire
- 120/208 V three-phase wye four-wire
- 120/240 V single-phase three-wire

Marina Power Distribution Transformer kVA Availabilities

- Single-phase: 50, 75, 100, 150, 167.5, 200, 250, 330, 500 kVA
- Three-phase: 45, 75, 112.5, 150, 225, 300 kVA

