

CHS Controls - The fuse specialists!

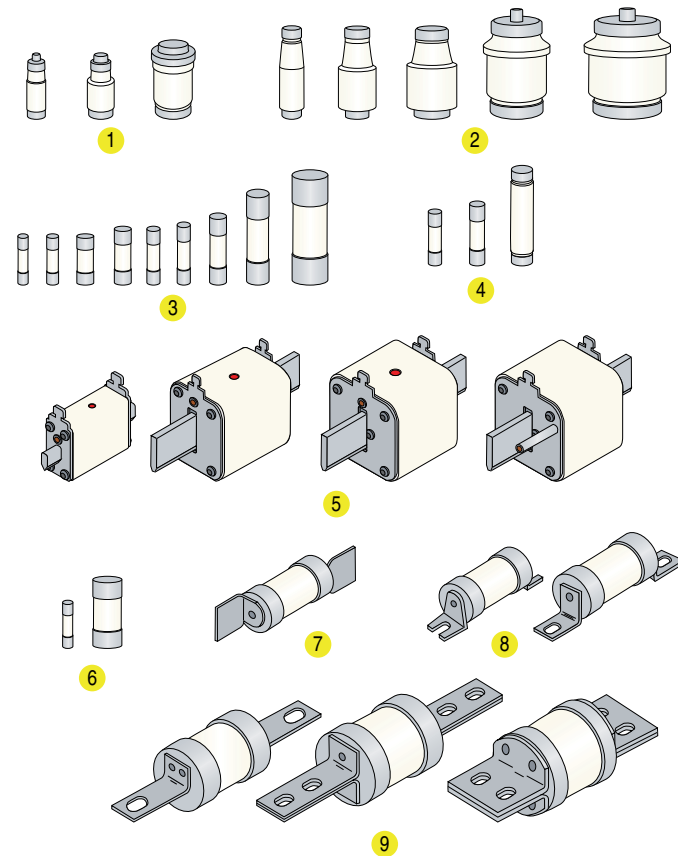
Common fuse types

There is a great variety of fuses, manufactured according to many international standards, to protect different types of equipment and of different manufacturers. Two fuses can, at the first glance, look similar but the electrical characteristics may be quite different - wrong replacement fuse may result in a disaster.

"To identify a fuse is not always easy, the manufacturer can be more or less unknown, markings are worn and unclear, the type not the most common."

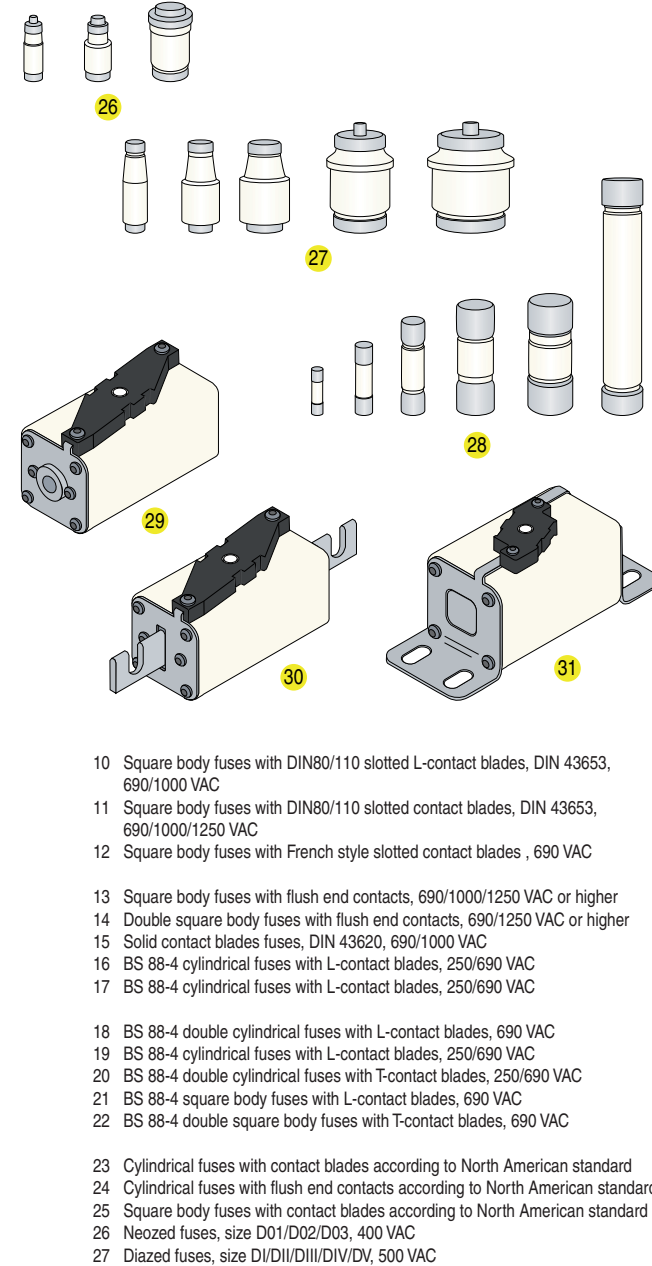
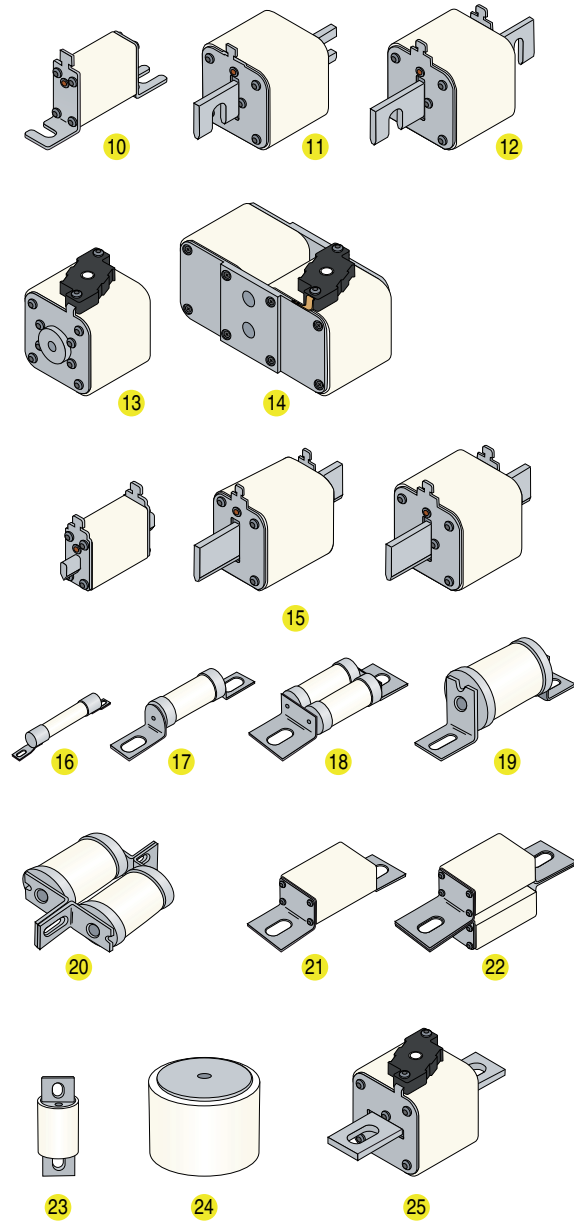
A description of the fuse shape is a good start for finding a replacement. We have more than 25 years of experience with fuses of various types and brands.

Fuses according to European standards



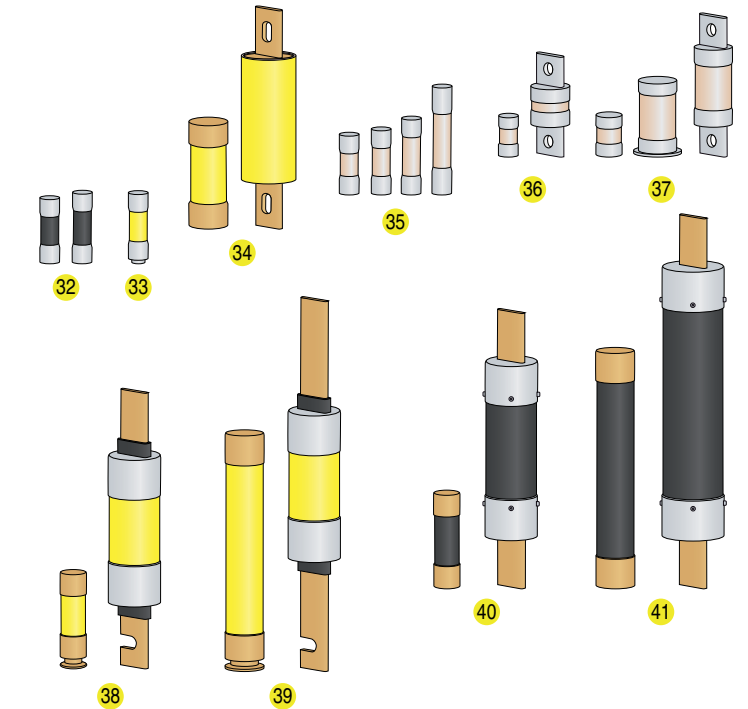
- 1 Neozed fuses, size D01/D02/D03, class gG/aM
- 2 Diazed fuses, size DI/DII/DIII/DIV/DV class gG/aM
- 3 Cylindrical fuses, 6x23/8x23/10x25/8x31/10x31/8x36/10x38/14x51/22x58 mm, class gG/aM
- 4 Cylindrical fuses type C, 9x31/9x36/13x50 mm, class gG
- 5 NH solid blade fuses, DIN 43620, class gG/aM/gTr
- 6 BS 1361 cylindrical fuses for household applications, BS 1362 cylindrical fuses for BS plugs
- 7 BS 88-1&6 Offset Blade Tag, class gG/gM
- 8 BS 88-1&2 Offset Bolted Tag, class gG/gM
- 9 BS 88-1&2 Centre Bolted Tag, class gG/gM

High speed fuses



- 10 Square body fuses with DIN80/110 slotted L-contact blades, DIN 43653, 690/1000 VAC
- 11 Square body fuses with DIN80/110 slotted contact blades, DIN 43653, 690/1000/1250 VAC
- 12 Square body fuses with French style slotted contact blades, 690 VAC
- 13 Square body fuses with flush end contacts, 690/1000/1250 VAC or higher
- 14 Double square body fuses with flush end contacts, 690/1250 VAC or higher
- 15 Solid contact blades fuses, DIN 43620, 690/1000 VAC
- 16 BS 88-4 cylindrical fuses with L-contact blades, 250/690 VAC
- 17 BS 88-4 cylindrical fuses with L-contact blades, 250/690 VAC
- 18 BS 88-4 double cylindrical fuses with L-contact blades, 690 VAC
- 19 BS 88-4 cylindrical fuses with L-contact blades, 250/690 VAC
- 20 BS 88-4 double cylindrical fuses with T-contact blades, 250/690 VAC
- 21 BS 88-4 square body fuses with L-contact blades, 690 VAC
- 22 BS 88-4 double square body fuses with T-contact blades, 690 VAC
- 23 Cylindrical fuses with contact blades according to North American standard
- 24 Cylindrical fuses with flush end contacts according to North American standard
- 25 Square body fuses with contact blades according to North American standard
- 26 Neozed fuses, size D01/D02/D03, 400 VAC
- 27 Diazed fuses, size DI/DII/DIII/DIV/DV, 500 VAC
- 28 Cylindrical fuses, 6x32/10x38/14x51/22x58/27x60/20x127 mm, 600/690/1000/1500 V
- 29 Square body fuses with flush end contacts for DC circuits
- 30 Square body fuses with slotted contact blades for DC circuits
- 31 Square body fuses with L-contact blade for DC circuits

Fuses according to North American standard



- 32 Midget cylindrical fuses, 250-600 V, 10x35/10x38 mm, 0-30 A, time delay/fast acting
- 33 Class CC cylindrical fuses, rejected end cap, 10x38 mm, 600 V 0-30 A time delay/fast acting
- 34 Class J fuses, 600 V, 0-60 A cylindrical fuse, 65-600 A fuse with contact blade, time delay/fast acting
- 35 Class G cylindrical fuses 480/600 V, 10x33/10x36/10x41/10x57 mm, 0-60 A, time delay/fast acting
- 36 Class T fuses, 300 V, 0-60 A cylindrical fuse 65-600 A fuse with contact blade, fast acting
- 37 Class T fuse, 600 V, 0-60 A cylindrical fuse, 65-600 A fuse with contact blade, fast acting
- 38 Class RK1/RK5 fuses, 250 V, 0-60 A cylindrical fuse, rejected end cap, 65-600 A fuse with rejected contact blade, time delay/fast acting
- 39 Class RK1/RK5 fuses, 600 V, 0-60 A cylindrical fuse, rejected end cap, 65-600 A fuse with rejected contact blade, time delay/fast acting
- 40 Class H/K5 fuses, 250 V, 0-60 A cylindrical fuse, 65-600 A fuse with contact blade, fast acting
- 41 Class H/K5 fuses, 600 V, 0-60 A cylindrical fuse, 65-600 A fuse with contact blade, fast acting

Welcome to browse our wide range of industrial fuses!

Visit us at www.chscontrols.se

CHS Controls AB
 Florettgatan 33, SE-254 67 Helsingborg, Sweden
 Phone +46 42 386100, Fax +46 42 386129
 SMS +46 155 768 086112
fuses@chscontrols.se
www.chscontrols.se

